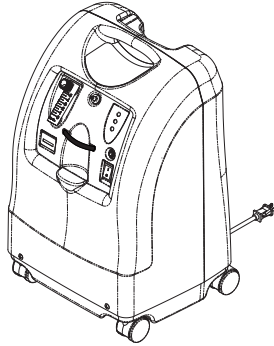


Operator's Manual

Perfecto₂[™] Series

Oxygen Concentrators without SensO₂[®],
Oxygen Concentrators with SensO₂[®]
HomeFill[®] Compatible



Model IRC5PO2AW
Model IRC5PO2VAW

Model IRC5PAW

English	I
French	34
Italian	66
Spanish	97
Dutch	129
Greek	161
Portuguese	195

Dealer: This manual MUST be given to the end user.

User: BEFORE using this product, read this manual and save for future reference.



**For more information regarding
Invacare products, parts, and services,
please visit www.invacare.com**



Yes, you can.[®]

 WARNING

DO NOT use this product or any available optional equipment without first completely reading and understanding these instructions and any additional instructional material such as owner's manuals, service manuals or instruction sheets supplied with this product or optional equipment. If you are unable to understand the warnings, cautions or instructions, contact a healthcare professional, dealer or technical personnel before attempting to use this equipment - otherwise, injury or damage may occur.

 ACCESSORIES WARNING

Invacare products are specifically designed and manufactured for use in conjunction with Invacare accessories. Accessories designed by other manufacturers have not been tested by Invacare and are not recommended for use with Invacare products.

ACCESSORIES

There are many different types of humidifiers, oxygen tubing, cannulas and masks that can be used with this device. You should contact your local home care provider for recommendations on which of these devices will be best for you. They should also give you advice on the proper usage, maintenance, and cleaning.

NOTE: Updated versions of this manual can be found at www.invacare.com.

TABLE OF CONTENTS

ACCESSORIES	2
SPECIAL NOTES	4
LABEL LOCATION	6
SECTION 1—GENERAL GUIDELINES	7
Radio Frequency Interference.....	8
SECTION 2—FEATURES	10
SECTION 3—HANDLING	11
Unpacking.....	11
Inspection.....	11
Storage.....	11
SECTION 4—TECHNICAL DESCRIPTION	12
SECTION 5—TYPICAL PRODUCT PARAMETERS	13
SECTION 6—OPERATING INSTRUCTIONS	17
Introduction.....	17
Select a Location	17
Set Up	18
Flowrate.....	21
SensO ₂ Oxygen Purity Indicator - Model IRC5PO2AW & IRC5PO2VAW	22
Initial Startup of the Concentrator	22
Explanation of Indicator Lights - Model IRC5PAW	23
Elapsed Time Meter (Hour Meter)	24
SECTION 7—MAINTENANCE	25
Routine Maintenance.....	25
SECTION 8—TROUBLESHOOTING GUIDE	28
SECTION 9—OPTIONAL ACCESSORIES	30
RECYCLING INFORMATION	31
LIMITED WARRANTY	32

SPECIAL NOTES

Signal words are used in this manual and apply to hazards or unsafe practices which could result in personal injury or property damage. Refer to the following table for definitions of the signal words.

SIGNAL WORD	MEANING
DANGER	Danger indicates an imminently hazardous situation which, if not avoided, will result in death or serious injury.
WARNING	Warning indicates a potentially hazardous situation which, if not avoided, could result in death or serious injury.
CAUTION	Caution indicates a potentially hazardous situation which, if not avoided, may result in property damage or minor injury or both.

NOTICE

The information contained in this document is subject to change without notice.

DANGER

DO NOT SMOKE while using this device. Keep all matches, lit cigarettes or other sources of ignition out of the room in which this product is located and away from where oxygen is being delivered.

NO SMOKING signs should be prominently displayed. Textiles and other materials that normally would not burn are easily ignited and burn with great intensity in oxygen enriched air. Failure to observe this warning can result in severe fire, property damage and cause physical injury or death.

CAUTION

“Caution: Statutory law can restrict this device to sale by or on order of a physician, or any other practitioner licensed by the law of the governmental agency in which he/she practices to use or order the use of this device.”

Invacare recommends an alternate source of supplemental oxygen in the event of a power outage, alarm condition or mechanical failure. Consult your physician or equipment provider for the type of reserve system required.

This equipment is to be used as an oxygen supplement and is not considered life supporting or life sustaining.

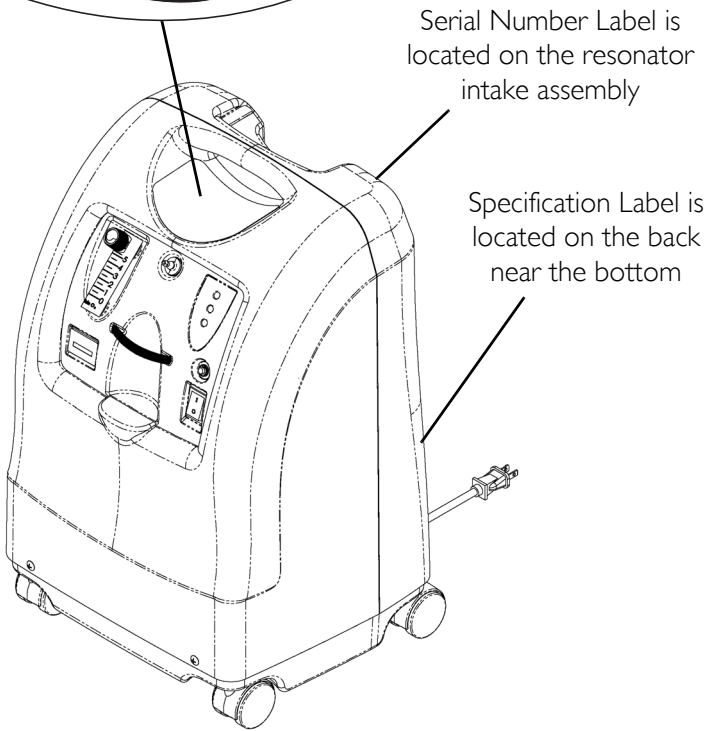


LABEL LOCATION

Perfecto₂[™]

FOR OPERATING INSTRUCTIONS or ALARMS (See Operator's Manual)

- ⚠ DANGER - RISK OF FIRE
NO SMOKING - Keep ALL sources of ignition out of the room in which this product is located and away from areas where oxygen is being delivered. Textiles, oil and other combustibles are easily ignited and burn with great intensity in oxygen enriched air.
- ⚠ DANGER - ELECTRIC SHOCK
DO NOT remove cover. Refer servicing to qualified service personnel.
- ⚠ Flowrates below 0.5 L/min will trigger Low Flow Alarm (rapid audible alarm).
- ⚠ Set Flowmeter at 2.5 L/min or less when filling HomeFill[®] cylinders.

HomeFill[®]
Compatible



Serial Number Label is located on the resonator intake assembly

Specification Label is located on the back near the bottom

SECTION I—GENERAL GUIDELINES

In order to ensure the safe installation, assembly and operation of the Perfecto₂ concentrator these instructions **MUST** be followed.

⚠ WARNING

This section contains important information for the safe operation and use of this product.

⚠ DANGER

Risk of electric shock. DO NOT disassemble. Refer servicing to qualified service personnel. No user serviceable parts. TO REDUCE THE RISK OF BURNS, ELECTROCUTION, FIRE OR INJURY TO PERSONS.

Avoid using while bathing. If continuous usage is required by the physician's prescription, the concentrator **MUST be located in another room at least 2.5 m (7 ft) from the bath.**

DO NOT come in contact with the concentrator while wet.

DO NOT place or store product where it can drop into water or other liquid.

DO NOT reach for product that has fallen into water. Unplug IMMEDIATELY.

If the concentrator has a damaged cord or plug, if it is not working properly, if it has been dropped or damaged, or dropped into water, call qualified technician for examination and repair.

A spontaneous and violent ignition may occur if oil, grease or greasy substances come in contact with oxygen under pressure. These substances **MUST be kept away from the oxygen concentrator, tubing and connections, and all other oxygen equipment. **DO NOT** use any lubricants unless recommended by Invacare.**

Avoid creation of any spark near medical oxygen equipment. This includes sparks from static electricity created by any type of friction.

Operating Information

For optimum performance, Invacare recommends that each concentrator be on and running for a minimum of 30 minutes at a time. Shorter periods of operation may reduce maximum product life.

Keep the oxygen tubing, cord, and unit out from under such items as blankets, bed coverings, chair cushions, clothing and away from heated or hot surfaces, including space heaters, stoves and similar electrical appliances.

DO NOT move or relocate concentrator by pulling on the power cord.

NEVER drop or insert any object or liquid into any opening.

Invacare recommends that Crush-Proof oxygen tubing be used with this product and not exceed 15.2 m (50 ft) in length.

There are no user serviceable parts. This does not include normal maintenance items. See maintenance section for user maintenance items.

A product should NEVER be left unattended when plugged in. Make sure the Perfecto₂ is Off when not in use.

Close supervision is necessary when this product is used near children or physically-challenged individuals.

Additional monitoring or attention may be required for patients using this device who are unable to hear or see alarms or communicate discomfort.

DO NOT connect the concentrator in parallel or series with other oxygen concentrators or oxygen therapy devices.

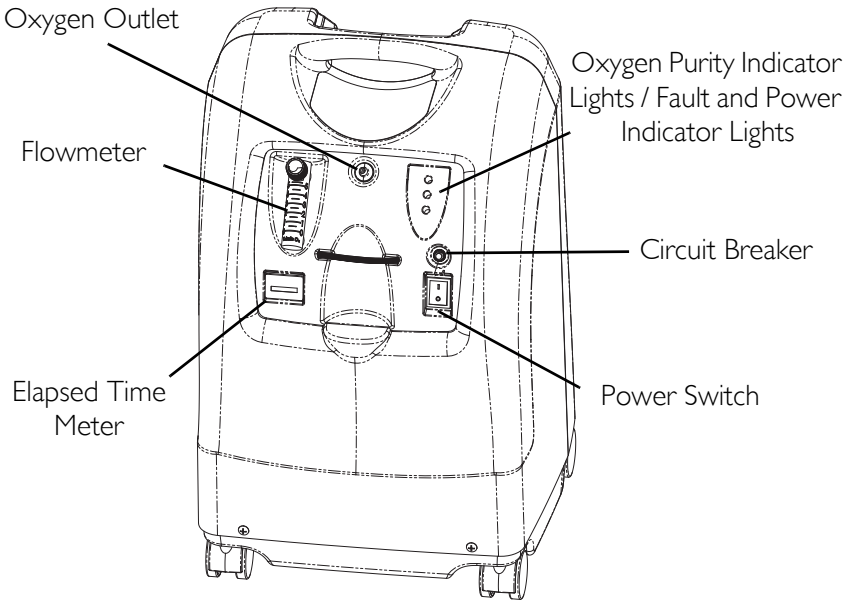
Radio Frequency Interference

This equipment has been tested and found to comply with EMC limits specified by IEC/EN 60601-1-2. These limits are designed to provide a reasonable protection against electromagnetic interference in a typical medical installation.

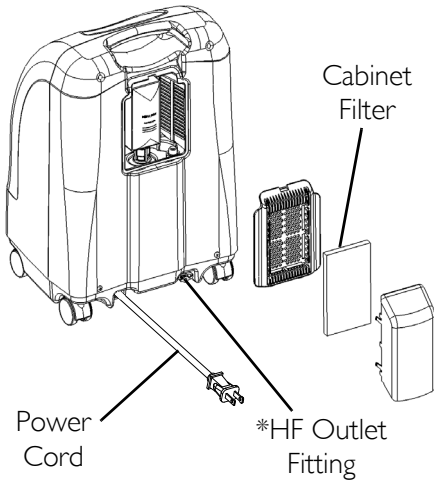
Other devices may experience interference from even the low levels of electromagnetic emissions permitted by the above standards. To determine if the emissions from the Perfecto₂ is causing the interference, turn the Perfecto₂ Off. If the interference with the other device(s) stops, then the Perfecto₂ is causing the interference. In such rare cases, interference may be reduced or corrected by one of the following measures:

- Reposition, relocate, or increase the separation between the equipment.
- Connect the equipment into an outlet on a circuit different from that to which the other device(s) is connected.

SECTION 2—FEATURES



REAR VIEW



**NOTE: This outlet fitting is to be used only for filling oxygen cylinders with the HomeFill home oxygen compressor. The outlet fitting does not affect concentrator performance. Refer to the HomeFill owner's manual, part number 1145805, for connection and operating instructions. When not in use, the plug provided with the concentrator should be inserted into the outlet fitting. For more information about the HomeFill, contact your Invacare dealer.*

SECTION 3—HANDLING

The concentrator should ALWAYS be kept in the upright position to prevent cabinet damage while being transported.

If the concentrator is to be reshipped by common carrier, additional cartons are available from Invacare.

Unpacking

NOTE: For this procedure, refer to FIGURE 3.1.

1. Check for any obvious damage to the carton or its contents. If damage is evident, notify the carrier, or your local dealer.
2. Remove all loose packing from the carton.
3. Carefully remove all the components from the carton.

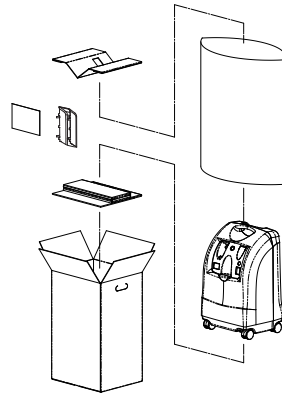


FIGURE 3.1 Unpacking

NOTE: Unless the oxygen concentrator is to be used IMMEDIATELY, leave concentrator in its packaging for storage until use of the concentrator is required.

Inspection

1. Inspect/examine exterior of the oxygen concentrator for nicks, dents, scratches or other damages. Inspect all components.

Storage

1. Store the repackaged oxygen concentrator in a dry area.
2. DO NOT place objects on top of repackaged concentrator.

SECTION 4—TECHNICAL DESCRIPTION

The Invacare Perfecto₂ concentrator is used by patients with respiratory disorders who require supplemental oxygen. The device is not intended to sustain or support life.

The oxygen concentration level of the output gas ranges from 87% to 95.6%. The oxygen is delivered to the patient through the use of a nasal cannula.








The Invacare Perfecto₂ concentrator uses a molecular sieve and pressure swing adsorption methodology to produce the oxygen gas output. Ambient air enters the device, is filtered and then compressed. This compressed air is then directed toward one of two nitrogen adsorbing sieve beds.

Concentrated oxygen exits the opposite end of the active sieve bed and is directed into an oxygen reservoir where it is delivered to the patient.

The Invacare Perfecto₂ concentrator is capable of operation by the patient in a home environment or in an institutional environment. Device operates at a nominal 230 VAC/50 Hertz supply.

Service information will be available upon request to qualified technical personnel only.

SECTION 5—TYPICAL PRODUCT PARAMETERS

	Alternating Current
	Type BF equipment
	Unit running
	Unit not running
	Attention - Consider Accompanying Documents
	DO NOT smoke
	Class II, Double Insulated
IPX1	Protected against dripping water
Electrical Requirements:	230 VAC \pm 10% (253 VAC/207 VAC), 50 Hz
Rated Current Input:	1.4 A
Sound Level:	39.5 dBA Average
Altitude:	<p>All Perfecto₂ Models: Up to 8,000 ft (2438 meters) above sea level without degradation of concentration levels. From 8,000 ft to 13,129 (4000 meters) below 90% efficiency.</p> <p>All Perfecto₂ Models while filling a HomeFill System: Up to 6,000 ft (1828 meters) above sea level without degradation of concentration levels. From 6,000 ft (1828 meters) to 13,129 ft (4000 meters) below 90% efficiency</p>



SECTION 5—TYPICAL PRODUCT PARAMETERS

Oxygen Output Concentration Levels: <i>NOTE: Stated concentration levels achieved after initial warm-up period (approximately 30 minutes)</i>	87% to 95.6% at 0.5 to 5 L/min 93% ± 3% at 2 L/min
Maximum Outlet Pressure:	34.5 kPa ± 3.45 kPa (5 psi ± 0.5 psi)
Flow Range:	0.5 to 5 L/min (maximum) For flowrates less than 1 L/min, we recommend the use of the Invacare Pediatric Flowmeter Accessory (IRCPF16AW)
Low Flow Alarm:	0 L/min to 0.5 L/min Rapid Audible Alarm Beeping (No Accessories Connected)
Average Power Consumption:	Perfecto ₂ AW - 300 W @ 5 L/min, 280 W @ ≤ 3 L/min Perfecto ₂ VAW - 320 W @ 5 L/min
Pressure Relief Mechanism Operational at:	24.1 kPa ± 24.1 kPa (35 psi ± 3.5 psi)
Change in maximum recommended flow when back pressure of 7kPa is applied:	0.7 L/min
Filters:	Cabinet, Outlet HEPA and Compressor Inlet
Safety System:	Current overload or line surge shutdown High temperature compressor shutdown High Pressure Alarm w/compressor shutdown Low Pressure Alarm w/compressor shutdown Battery Free Power Loss Alarm. SensO ₂ Oxygen System (SensO ₂ Model) Low Flow Alarm.
Width:	38.1 cm ± 1 cm (15 in ± 3/8 in)
Height:	58.4 cm ± 1 cm (23 in ± 3/8 in)
Depth:	30.5 cm ± 1 cm (12 in ± 3/8 in)
Weight:	Perfecto ₂ AW Models - 20.5 kg ± 1 kg (45 lbs ± 2 lbs) Perfecto ₂ VAW Models - 18.1 kg ± 1 kg (40 lbs ± 2 lbs)
Shipping Weight:	Perfecto ₂ AW Models - 22.7 kg ± 1 kg (50 lbs ± 2 lbs) Perfecto ₂ VAW Models - 20.4 kg ± 1 kg (45 lbs ± 2 lbs)


SECTION 5—TYPICAL PRODUCT PARAMETERS

Operating Ambient Temperature:	10°C - 35°C (50°F - 95°F) at 20-60% relative humidity
Exhaust Cooling Air Temperature:	Less than Ambient +19°C (+ 35°F)
Oxygen Output Temperature:	Less than Ambient +3°C(+ 6°F)
Cabinet:	Impact Resistant flame-retardant plastic cabinet that conforms to UL 94-V0
No AP/APG	Not suitable for use in the presence of a flammable anaesthetic mixture
Standards and Regulatory Listing:	<p>IRC5PO2AW/IRC5PAW/IRC5PO2VAW: IEC/EN 60601-1, A1, A2 IEC/EN 60601-1-2 IEC/EN61000-3-2 IEC/EN61000-3-3</p> <p>IRC5PO2AW/IRC5PO2VAW Models Only ISO8359 MDD 93/42/EEC, Annex I and IX</p>
CE marked model	IRC5PO2AW & IRC5PO2VAW
Electrical:	No extension cords
Placement:	<p>No closer than 7.5 cm (3 in) from any wall, furniture, draperies, or furniture to assure sufficient air flow</p> <p>Avoid deep pile carpets and heaters, radiators or hot air registers</p> <p>Floor location only</p> <p>No confined spaces (Example: no closets)</p>
Tubing:	2 m (7 ft) cannula with a maximum 15 m (50 ft) of Crush-Proof Tubing (DO NOT pinch)
Time of Operation:	Up to 24 hours per day
Recommended Storage and Shipping Temperature:	-29°C to 65°C (-20°F to 150°F) at 15-95% relative humidity
Environment:	<p>Smoke and soot-free</p> <p>No confined spaces (Example: No closets).</p>
Minimum Operating Time:	30 Minutes

IRC5PO2AW & IRC5PO2VAW INDICATORS

LABEL SYMBOL	O ₂ PURITY	INDICATOR LIGHTS (LED)
O ₂	SYSTEM OKAY O ₂ over 85% (± 2%)	GREEN Indicator Light
	O ₂ Between 73% (± 3%) to 85% (±2%)	YELLOW Indicator light A. YELLOW Solid B. YELLOW Flashing Sensor Failure Call a qualified technician.
	SYSTEM FAILURE O ₂ Below 73% (±3%)	RED Indicator Light Continuous Audible Alarm Sieve-GARD Compressor Shutdown

IRC5PAW INDICATORS

LABEL SYMBOL	STATUS	INDICATOR LIGHTS (LED)
I/O	SYSTEM OKAY	GREEN Indicator Light
	SYSTEM FAILURE	RED Indicator light Continuous Audible Alarm Sieve-GARD™ Compressor Shutdown Call a qualified technician.

SECTION 6—OPERATING INSTRUCTIONS

Introduction

Your oxygen concentrator is intended for individual use. It is an electronically operated device that separates oxygen from room air. It provides high concentration of oxygen directly to you through a nasal cannula. Clinical studies have documented that oxygen concentrators are therapeutically equivalent to other types of oxygen delivery systems.

Your provider will show you how to use your oxygen concentrator. He/She should be contacted with any questions or problems regarding your oxygen concentrator. This owner's manual will tell you about your concentrator and will serve as a reference as you use your concentrator.

Select a Location

WARNING

NEVER block the air openings of the product or place it on a soft surface, such as a bed or couch, where the air opening may be blocked. Keep the openings free from lint, hair and the like.

Keep unit at least 7.5 cm (3 in) away from walls, draperies, furniture, and the like.

You may select a room in your house where using your oxygen concentrator would be most convenient. Your concentrator can be easily rolled from room to room on its casters.

Your oxygen concentrator will perform best when operated under the conditions outlined in the Typical Product Parameters on page 13. Usage in environments other than those described may result in the need for increased equipment maintenance. The air intake of the unit should be located in a well ventilated area to avoid airborne pollutants and/or fumes. **DO NOT** use in a closet.

Set Up

1. Plug in power cord to an electrical outlet.
2. Connect Humidifier (If So Prescribed)

⚠ WARNING

DO NOT overfill humidifier.

DO NOT reverse the oxygen input and output connections. Water from the humidifier bottle will travel through the cannula back to the patient.

NOTE: For this procedure, refer to FIGURE 6.1, FIGURE 6.2 on page 19, FIGURE 6.3 on page 20.

1. Remove cap from bottle.
2. Fill humidifier with distilled water to the level indicated by the manufacturer. Replace the humidifier cap and securely tighten.

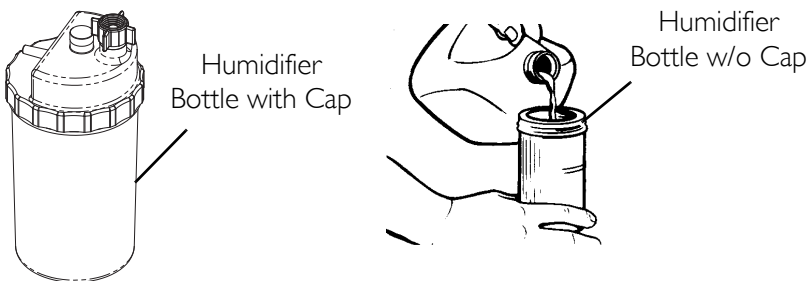


FIGURE 6.1 Filling the Humidifier

3. Insert a flathead screwdriver in the plate groove on the top edge of the filter access door and gently pry the filter access door off (FIGURE 6.2).
4. Pull up and remove the humidifier bottle adapter (FIGURE 6.2).
5. Replace the filter access door and install the air scoop onto the filter access door by inserting the six tabs on the air scoop into the six slots on the sides of the filter access door.

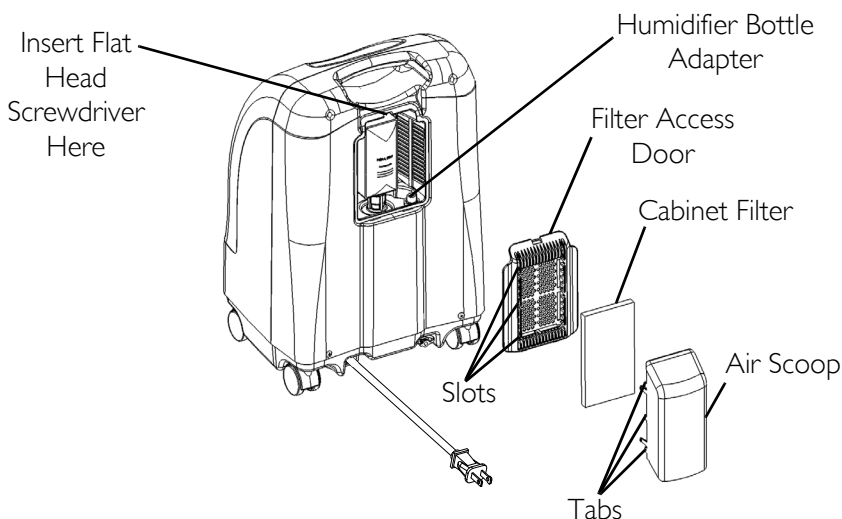


FIGURE 6.2 Humidifier Bottle Adapter

6. Attach the humidifier bottle adapter to the humidifier bottle by turning the wing nut on the humidifier bottle counterclockwise until it is securely fastened. See Detail "A" in FIGURE 6.3.
7. Place the humidifier bottle/adapter assembly in the humidifier compartment on the concentrator. See Detail "B" in FIGURE 6.3.
8. Attach oxygen tubing from the humidifier bottle/adapter assembly to oxygen outlet connector on the concentrator. See Detail "B" in FIGURE 6.3.
9. Attach the cannula/patient supply tubing to the humidifier bottle outlet. See Detail "B" in FIGURE 6.3.
10. After assembly, ensure that oxygen is flowing through the cannula.

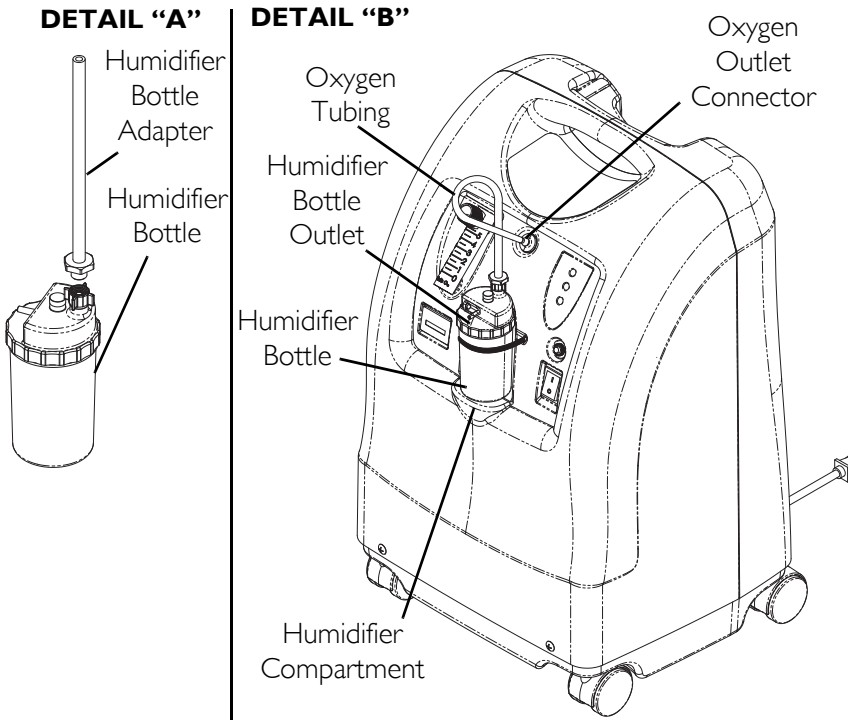


FIGURE 6.3 Humidifier Compartment

Power Switch

NOTE: For this procedure, refer to FIGURE 6.4.

1. Press power switch to On position. All the panel lights and the audible alarm will come on for one second, indicating that the unit is functioning properly.

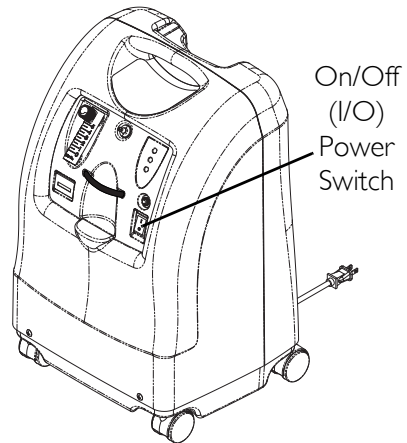


FIGURE 6.4 Power Switch

Flowrate

NOTE: For this procedure, refer to FIGURE 6.5.

NOTE: Take care not to set the flow above RED ring. An oxygen flow greater than 5 L/min will decrease the oxygen concentration.

1. Turn the flowrate knob to the setting prescribed by your physician or therapist.

⚠ WARNING

DO NOT change the L/min setting on the flowmeter unless a change has been prescribed by your physician or therapist.

NOTE: To properly read the flowmeter, locate the prescribed flowrate line on the flowmeter. Next, turn the flow knob until the ball rises to the line. Now, center the ball on the L/min line prescribed.

2. If the flowrate on the flowmeter ever falls below 0.5 L/min for more than about one minute, the LOW FLOW alarm will be triggered. This is a rapid beeping of the audible alarm. Check your tubing or accessories for blocked or kinked tubing or a defective humidifier bottle. After rated flow is restored to more than 0.5 L/min, the LOW FLOW audible alarm will go off.

NOTE: The use of some accessories such as the pediatric flowstand and the HomeFill compressor will deactivate the Low Flow Alarm.

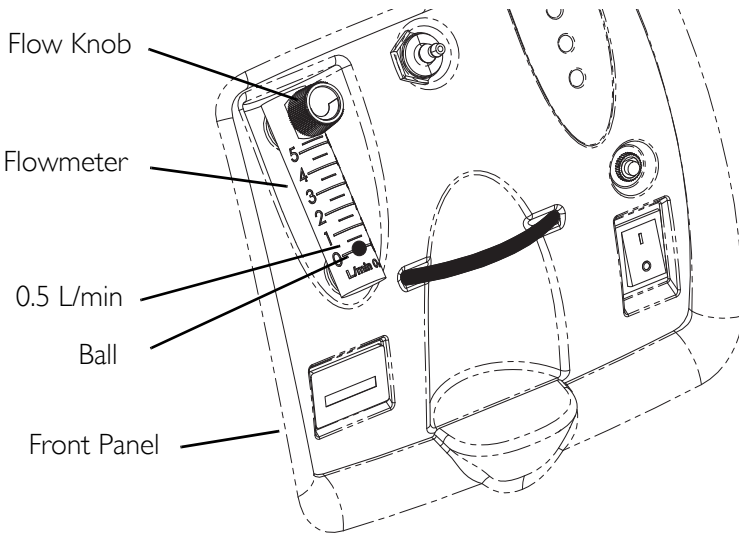


FIGURE 6.5 Flowrate

SensO₂ Oxygen Purity Indicator - Model IRC5PO2AW & IRC5PO2VAW

This feature monitors the purity of oxygen generated by the oxygen concentrator. If purity falls below factory preset standards, indicator lights on the control panel will illuminate.

Initial Startup of the Concentrator

NOTE: Concentrator may be used during the initial start warm-up time (approximately 30 min.) while waiting for the O₂ purity to reach maximum.

When the unit is turned on, the GREEN light will come on (SYSTEM OK/O₂ greater than 85%). After five minutes, the oxygen sensor will be operating normally and will control the indicator lights depending on oxygen concentration values.

Explanation of Oxygen Purity Indicator Lights - Model IRC5PO2AW & IRC5PO2VAW

NOTE: For this procedure, refer to FIGURE 6.6 on page 23.

GREEN light (O₂) - Normal Operation.

YELLOW light (⚠) - Immediately call supplier. You may continue to use the concentrator unless instructed otherwise by your supplier. Be certain that backup oxygen is nearby.

RED light (🔔) - Total unit shutdown. Immediately switch to backup oxygen supply and call supplier.

GREEN light - with YELLOW light flashing - Immediately call supplier. Oxygen sensor malfunctioning; you may continue to use the concentrator.

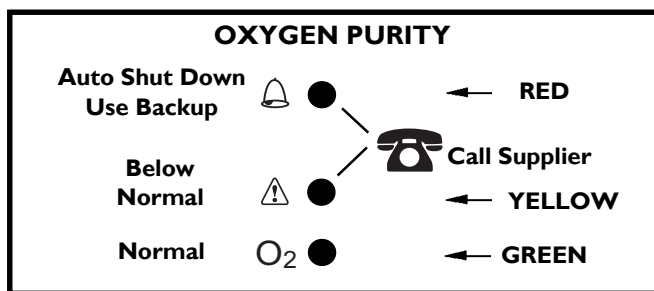


FIGURE 6.6 Explanation of Oxygen Purity Indicator Lights - Model IRC5PO2AW & IRC5PO2VAW

Explanation of Indicator Lights - Model IRC5PAW

NOTE: For this procedure, refer to FIGURE 6.7.

IRC5PAW Model Indicator Light Explanation

RED light (🔔) - Total Unit Shut-Down. Immediately switch to a back-up oxygen supply and call supplier.

GREEN light (I/O) - On/Off. System okay.

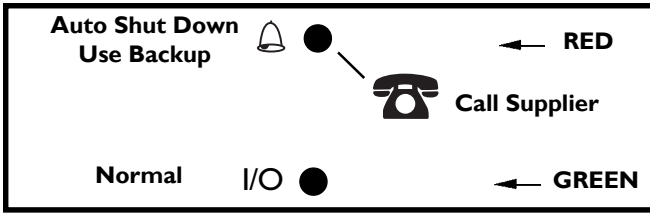


FIGURE 6.7 Explanation of Indicator Lights - Model IRC5PAW

Elapsed Time Meter (Hour Meter)

The hour meter displays the cumulative number of hours the unit has operated.

SECTION 7—MAINTENANCE

⚠ WARNING

The Invacare concentrators are specifically designed to minimize routine preventive maintenance. Only qualified personnel should perform preventive maintenance on the concentrator.

Unplug the concentrator when cleaning. To avoid electrical shock, DO NOT remove cabinet.

NOTE: At a minimum, preventive maintenance MUST be performed according to the maintenance record guidelines. In places with high dust or soot levels, maintenance may need to be performed more often. Refer to Preventive Maintenance Record on page 27.

Routine Maintenance

The following routine maintenance should be performed more frequently. See recommended intervals in each section and Preventive Maintenance Record on page 27.

Cleaning the Cabinet Filter

CAUTION

DO NOT operate the concentrator without the filter installed.

NOTE: For this procedure, refer to FIGURE 7.1 on page 26.

NOTE: There is one cabinet filter located on the back of the cabinet.

1. Inspect the filter every month. Remove the filter and clean as needed.

NOTE: Environmental conditions that may require more frequent inspection and cleaning of the filter include, but are not limited to: high dust, air pollutants, etc.

2. Clean the cabinet filter with a vacuum cleaner or wash in warm soapy water and rinse thoroughly.
3. Dry the filter thoroughly before reinstallation.

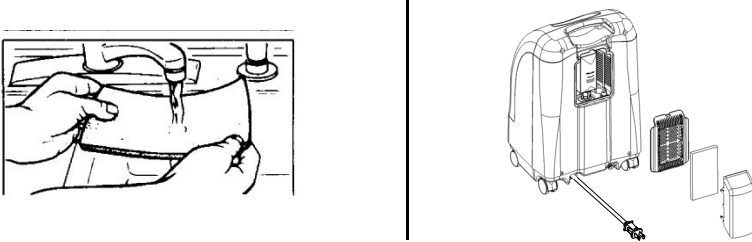


FIGURE 7.1 Cleaning the Cabinet Filter

Cleaning the Cabinet

1. Clean the cabinet with a mild household cleaner and non-abrasive cloth or sponge.

Cleaning the Humidifier

NOTE: To clean the oxygen humidifier, follow the instructions provided by the manufacturer. If none are provided, follow these STEPS:

1. Clean the humidifier every day.
2. Wash it in soapy water and rinse it with a solution of ten parts water and one part vinegar.
3. Rinse thoroughly with hot water and refill with distilled water to the level shown on the humidifier.

MODEL NO. IRC _____ SERIAL NO. _____



PREVENTIVE MAINTENANCE RECORD

ON EACH INSPECTION		Yes, you can:											
Record Date of Service													
Record Elapsed Hours On Hour Meter													
Clean Cabinet Filter(s)													
Check Prescribed L/min. Flow Rate													
EVERY 4,380 HOURS													
Check Oxygen Concentration (UNITS WITHOUT SensO ₂)													
EVERY 26,280 HOURS OR 3 YEARS, WHICHEVER COMES FIRST													
Check Oxygen Concentration (UNITS WITH SensO ₂)													
DURING PREVENTIVE MAINTENANCE SCHEDULE, OR BETWEEN PATIENTS													
Clean/Replace Cabinet Filter(s)													
Check Outlet HEPA Filter*													
Check Compressor Inlet Filter*													
Check Power Loss Alarm													
AS REQUIRED													
Clean Heat Exchanger													
Replace Exhaust Muffler													
Rebuild Top End of Compressor													

*NOTE: Refer to Preventive Maintenance section of Service Manual.

NOTE:

4,380 hours are equivalent to usage 24 hours per day, 7 days per week, for 6 months.
26,280 hours are equivalent to usage 24 hours per day, 7 days per week, for 3 years.

FIGURE 7.2 Preventive Maintenance Record

SECTION 8—TROUBLESHOOTING GUIDE

SYMPTOM:	PROBABLE CAUSE:	SOLUTION:
<p>Alarm:</p> <p>Short beeps, long pause</p> <p>Concentrator not operating, power switch On.</p> <p>Beep.....Beep.....</p>	<p>Main Power Loss:</p> <ol style="list-style-type: none"> 1. Power cord not plugged in. 2. No power at outlet. 3. Tripped circuit breaker. 	<ol style="list-style-type: none"> 1. Insert plug into outlet. 2. Inspect house circuit breakers or fuses. If problem recurs, use a different outlet. 3. Push/reset circuit breaker. If problem recurs, call Service Provider.
<p>Alarm:</p> <p>Continuous</p> <p>Concentrator not operating, Power Switch On.</p> <p>Beeeeeeep....</p>	<p>System Failure:</p> <ol style="list-style-type: none"> 1. Unit overheating due to blocked air intake. 2. Insufficient power at outlet. 3. Internal repairs required. 	<ol style="list-style-type: none"> 1a. Remove and clean cabinet filters. 1b. Move oxygen concentrator at least three inches away from walls, draperies or furniture. 2. DO NOT use extension cords. Move to another electrical outlet or circuit. 3. Call Service Provider.

SECTION 8—TROUBLESHOOTING GUIDE

SYMPTOM:	PROBABLE CAUSE:	SOLUTION:
<p>YELLOW or RED light Illuminated.</p> <p>Alarm: Continuous On RED light only.</p> <p>* Only applies to IRC5PO2AW & IRC5PO2VAW models</p>	<ol style="list-style-type: none"> 1. Low oxygen purity.* 2. Kinked or blocked tubing, cannula or humidifier.* 3. Flowmeter set at 0.5 L/min *. 4. Unit overheating due to blocked air intake. 5. Insufficient power at outlet. 6. Internal repairs required. 	<ol style="list-style-type: none"> 1. Clean or Replace filters. 2. Inspect for kinks or blockages. Correct, clean or replace item. Once corrected, turn power Off for 60 seconds and then turn power back On. 3. Check flowmeter is set to 1.0 L/min or more. Refer to <u>Typical Product Parameters</u> on page 13. 4a. Remove and clean cabinet filters. 4b. Move concentrator at least three inches from walls, draperies, and furniture. 5. DO NOT use extension cords. Move to another electrical outlet or circuit. 6. Call Service Provider.
<p>GREEN light with YELLOW Light Flashing.</p>	<ol style="list-style-type: none"> 1. Internal repairs required. 	<ol style="list-style-type: none"> 1. Call Service Provider.
<p>Alarm:</p> <p>Rapid Beep....Beep... Beep...Beep</p>	<p>LOW FLOW ALARM</p> <ol style="list-style-type: none"> 1. Kinked or blocked tubing, cannula or humidifier. 2. Flowmeter set at 0.5 L/min. 	<ol style="list-style-type: none"> 1. Inspect for kinks or blockages. Correct, clean or replace item. Once corrected, turn power Off for 60 seconds and then turn power back ON. 2. Flowrates less than 1 L/min are not recommend.

SECTION 9—OPTIONAL ACCESSORIES

The following optional accessories are also available:

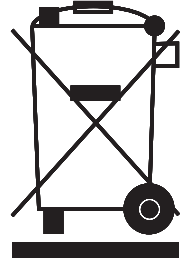
- Standard Adult Nasal Cannula, 2.1 m (7 feet)- M3120
- Standard Humidifier - M5120
- PreciseRX™ Pediatric Humidifier/Flowmeter Accessory - IRCPF16AW
- HomeFill home oxygen compressor - IOH200AW

RECYCLING INFORMATION

This product has been supplied from an environmentally aware manufacturer that complies with the Waste Electrical and Electronic Equipment (WEEE) Directive 2002/96/CE.

This product may contain substances that could be harmful to the environment if disposed of in places (landfills) that are not appropriate according to legislation.

The 'crossed out wheelie bin' symbol is placed on this product to encourage you to recycle wherever possible.



Please be environmentally responsible and recycle this product through your recycling facility at its end of life.

LIMITED WARRANTY

Belgium & Luxemburg:

Invacare nv, Autobaan 22, B-8210 Loppem
Tel: (32) (0) 50 83 10 10
Fax: (32) (0) 50 83 10 11
belgium@invacare.com

Danmark:

Invacare A/S, Sdr. Ringvej 37, DK-2605
Brøndby
Tel: (45) (0)36 90 00 00
Fax: (45) (0)36 90 00 01
denmark@invacare.com

Deutschland:

Invacare Aquatec GmbH,
Alemanenstraße 10, D-88316 Isny
Tel: (49) (0)75 62 7 00 0
Fax: (49) (0)75 62 7 00 66
info@invacare-aquatec.com

European Distributor Organisation:

Invacare, Kleiststraße 49, D-32457 Porta
Westfalica
Tel: (49) (0)57 31 754 540
Fax: (49) (0)57 31 754 541
edo@invacare.com

España:

Invacare SA, c/Areny s/n, Polígon
Industrial de Celrà, E-17460 Celrà (Girona)
Tel: (34) (0)972 49 32 00
Fax: (34) (0)972 49 32 20
contactsp@invacare.com

France:

Invacare Poirier SAS, Route de St Roch,
F-37230 Fondettes
Tel: (33) (0)2 47 62 64 66
Fax: (33) (0)2 47 42 12 24
contactfr@invacare.com

Switzerland:

Invacare AG,
Benkenstrasse 260, CH-4108 Witterswil
Tel: (41) (0)61 487 70 80
Fax: (41) (0)61 487 70 81
switzerland@invacare.com

Ireland:

Invacare Ireland Ltd, Unit 5 Seatown
Business Campus,
Seatown Road, Swords, County Dublin –
Ireland
Tel: (353) 1 810 7084
Fax: (353) 1 810 7085
ireland@invacare.com

Italia:

Invacare Mecc San s.r.l., Via dei Pini 62,
I-36016 Thiene (VI)
Tel: (39) 0445 38 00 59
Fax: (39) 0445 38 00 34
italia@invacare.com

Nederland:

Invacare BV, Celsiusstraat 46, NL-6716 BZ
Ede
Tel: (31) (0)318 695 757
Fax: (31) (0)318 695 758
nederland@invacare.com
csede@invacare.com

Norge:

Invacare AS, Grensesvingen 9, Postboks
6230, Etterstad, N-0603 Oslo
Tel: (47) (0)22 57 95 00
Fax: (47) (0)22 57 95 01
norway@invacare.com
island@invacare.com

Österreich:

Invacare Austria GmbH, Herzog
Odiolstrasse 101, A-5310 Mondsee
Tel: (43) 6232 5535 0
Fax: (43) 6232 5535 4
info@invacare-austria.com

Sverige & Suomi:

Invacare AB, Fagerstagatan 9,
S-163 91 Spånga
Tel: (46) (0)8 761 70 90
Fax: (46) (0)8 761 81 08
sweden@invacare.com
finland@invacare.com

United Kingdom:

Invacare Limited, Pencoed Technology
Park, Pencoed, Bridgend CF35 5HZ
Tel: (44) (0) 1656 776200
Fax: (44) (0) 1656 776201
Customer Services:
Tel: (44) (0) 1656 776222
Fax: (44) (0) 1656 776220
UK@invacare.com

Portugal:

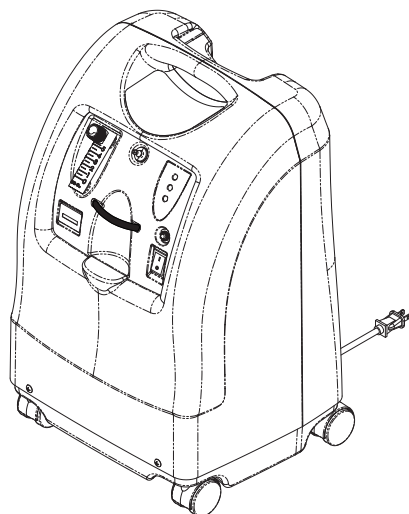
Invacare Lda,
Rua Estrada Velha, 949, P-4465-784 Leça do
Balio
Tel: (351) (0)225 1059 46/47
Fax: (351) (0)225 1057 39
portugal@invacare.com

NOTES

Manuel d'utilisation

Perfecto₂TM Série

Concentrateurs à oxygène sans SensO₂[®],
Concentrateurs à oxygène avec SensO₂[®]
Compatible HomeFill[®]



Modèle IRC5PO2AW
Modèle IRC5PO2VAW

Modèle IRC5PAW

Distributeur : Ce manuel DOIT être remis à l'utilisateur final.

Utilisateur : Lire ce manuel AVANT d'utiliser cet appareil, et le conserver en cas de besoin.

Pour de plus amples informations sur les produits Invacare, les pièces détachées et le service client, veuillez vous rendre sur www.invacare.fr



Yes, you can.

MISE EN GARDE

NE PAS utiliser cet appareil ou tout autre équipement optionnel sans avoir préalablement lu et compris ces instructions et tout document d'instruction additionnel tel que le manuel de l'utilisateur, manuel d'entretien ou feuillets fournis avec ce produit ou tout matériel optionnel. Si l'utilisateur ne comprend pas les mises en garde, messages d'attention ou instructions, il doit contacter un professionnel de la santé, le distributeur ou le personnel technique avant de tenter d'utiliser cet appareil - Sinon, il y a un risque de blessure corporelle ou de dommage matériel.

MISE EN GARDE POUR LES ACCESSOIRES

Les produits Invacare ont été spécifiquement conçus et fabriqués pour être utilisés conjointement avec les accessoires Invacare. Les accessoires conçus par d'autres fabricants n'ont pas été testés par Invacare et il n'est pas recommandé de les utiliser avec les produits Invacare.

ACCESSOIRES

Il y a une large gamme d'humidificateurs, de tubes à oxygène, de canules et de masques pouvant être utilisés avec cet appareil. Vous devriez contacter votre prestataire de soins à domicile afin qu'il vous indique quels sont les dispositifs adaptés à votre cas. Ils devraient également vous renseigner concernant la méthode d'utilisation, la maintenance et le nettoyage appropriés.

REMARQUE : Les versions mises à jour de ce manuel sont disponibles sur www.invacare.fr.

SOMMAIRE

ACCESSOIRES	35
REMARQUES SPÉCIALES	37
EMPLACEMENT DU LABEL	39
SECTION 1—REGLES GENERALES	40
Informations de fonctionnement	41
Interférence radioélectrique	42
SECTION 2—CARACTÉRISTIQUES	43
SECTION 3—MANIPULATION	44
Déballage	44
Contrôle	44
Rangement	44
SECTION 4—DESCRIPTION TECHNIQUE	45
SECTION 5—PARAMÈTRES TYPES DU PRODUIT	46
SECTION 6—CONSIGNES D'UTILISATION	50
Introduction	50
Choisir Un Endroit	50
Montage	51
Interrupteur	53
Débit	54
Témoin de la pureté de l'oxygène SensO ₂ - Modèle IRC5PO2AW & IRC5PO2VAW	55
Mise en marche initiale du concentrateur	55
Explication des témoins lumineux - Modèle IRC5PAW	57
Compteur horaire	57
SECTION 7—ENTRETIEN	58
Entretien de routine	58
SECTION 8—GUIDE DE DÉPANNAGE	61
SECTION 9—ACCESSOIRES EN OPTION	63
INFORMATIONS DE RECYCLAGE	64
LIMITES DE GARANTIE	65

REMARQUES SPÉCIALES

Des mots d'alerte sont utilisés dans ce manuel et s'appliquent aux pratiques à risque ou dangereuses pouvant entraîner des blessures corporelles ou des dégâts matériels. Se reporter au tableau suivant pour les définitions des mots-indicateurs.

MOT-INDICATEUR	DEFINITION
DANGER	Danger indique une situation dangereuse imminente qui, si elle n'est pas écartée, entraînera la mort ou des blessures graves.
MISE EN GARDE	Mise en garde indique une situation potentiellement dangereuse qui, si elle n'est pas écartée, peut entraîner la mort ou des blessures graves.
ATTENTION	Attention indique une situation de risque potentiel qui, s'il n'est pas écarté, peut entraîner des dégâts personnels ou des lésions mineures voire les deux.

AVIS

Les informations contenues dans ce document sont susceptibles d'être modifiées sans préavis.

DANGER

NE FUMEZ PAS pendant l'utilisation de cet appareil. **Conservez allumettes, cigarettes allumées ou autres sources d'ignition en dehors de la pièce dans laquelle se trouve cet appareil et éloignées de l'endroit où de l'oxygène est distribué.**

⚠ DANGER

Des panneaux INTERDIT DE FUMER doivent être exposés bien en vue. Les textiles et autres matériaux qui ne brûleraient pas dans des conditions normales s'enflamment facilement et brûlent avec une grande intensité dans un endroit où l'air est enrichi en oxygène. Le non-respect de cette mise en garde peut entraîner un incendie et des dégâts matériels graves, ou provoquer des blessures corporelles voire la mort.

ATTENTION

« Attention : La loi peut restreindre la vente de cet appareil de sorte qu'il ne puisse être vendu que par un médecin ou sur son ordonnance, ou par tout autre praticien agréé sur le lieu d'exercice. »

Invacare recommande une source alternative d'apport en oxygène dans le cas d'une coupure de courant, d'une situation d'urgence ou d'une panne mécanique. Consultez votre médecin ou votre fournisseur concernant le système de réserve que vous souhaitez.

Ce matériel doit être utilisé pour assurer un complément d'oxygène et non pour servir d'appareil de réanimation et de maintien des fonctions vitales.

EMPLACEMENT DU LABEL

Perfecto₂™

POUR LES INSTRUCTIONS DE FONCTIONNEMENT ou ALARMES (voir le manuel de l'opérateur)

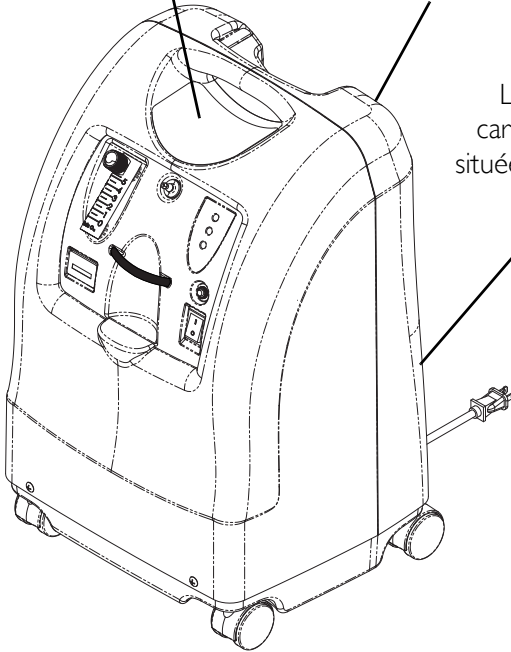
- ⚠ DANGER - RISQUE D'INCENDIE
NE PAS FUMER - Ecarter TOUTE source d'ignition de la pièce où se trouve cet appareil et à distance des zones de distribution d'oxygène. Les textiles, huiles et autres combustibles représentent des sources inflammables pouvant brûler avec grande intensité dans un environnement où l'air est enrichi en oxygène.
- ⚠ DANGER - ELECTROCUTION
NE PAS enlever le couvercle. Confier toute réparation à un personnel de maintenance qualifié.
- ⚠ Un taux de débit inférieur à 0,5 L/min déclenche une alarme sonore de signalisation de bas débit (alarme rapide audible).
- ⚠ Positionnez le débitmètre sur 2,5 L/min ou moins lorsque vous remplissez les bouteilles HomeFill®.

Compatible
HomeFill®



L'étiquette avec le numéro de série est située sur

L'étiquette des caractéristiques est située sur l'arrière vers le bas



SECTION I — REGLES GENERALES

Pour garantir l'installation, l'assemblage et le fonctionnement sûrs du concentrateur Perfecto₂, il convient de respecter ces instructions IMPÉRATIVEMENT.

⚠ MISE EN GARDE

Ce chapitre contient des informations importantes concernant le fonctionnement et l'utilisation sans danger de ce produit.

⚠ DANGER

Risque d'électrocution. **NE PAS démonter.** Confier toute réparation à un personnel de maintenance qualifié. Aucune pièce réparable par l'utilisateur.

POUR REDUIRE LE RISQUE DE BRÛLURES, D'ELECTROCUTION, D'INCENDIE OU DE DOMMAGES CORPORELS.

Ne jamais utiliser l'appareil en prenant un bain. Si la prescription médicale requiert une utilisation continue, le concentrateur **DOIT** être placé dans une autre pièce éloignée d'au moins 2.5 m (7ft) de la salle de bains.

NE PAS toucher le compresseur en étant mouillé.

NE PAS placer ou ranger l'appareil à proximité de l'eau ou d'un autre liquide.

NE JAMAIS tenter de reprendre l'appareil s'il tombe dans l'eau. Débrancher **IMMEDIATEMENT**.

Si le cordon ou la prise du concentrateur est endommagé, s'il ne fonctionne pas correctement, s'il heurte le sol, s'il est endommagé ou plongé dans l'eau, l'appareil doit être renvoyé à un technicien qualifié pour être inspecté et réparé.

⚠ DANGER

Une inflammation spontanée et violente peut se produire si de l'huile, de la graisse ou des substances grasses entrent en contact avec l'oxygène sous pression. Ces substances **DOIVENT** être tenues à l'écart du concentrateur d'oxygène, des tubes et connexions, et de tout matériel d'oxygénation en général. **NE PAS** utiliser de lubrifiants sauf en cas de recommandations par Invacare.

Éviter de provoquer des étincelles à proximité de l'appareil médical d'oxygénation. Cela inclut les étincelles d'électricité statique provoquées par des frictions.

Informations de fonctionnement

Pour une performance optimale, Invacare recommande que chaque concentrateur fonctionne pendant un minimum de 30 minutes à chaque fois. Des périodes de fonctionnement plus courtes peuvent réduire la durée de vie de cet appareil.

Eloignez les tubes à oxygène, le cordon et l'appareil de sous les couvertures, les dessus de lit, les coussins, les vêtements et écartés des surfaces chauffées ou chaudes, comprenant les radiateurs, les fours et appareils électriques similaires.

NE PAS déplacer ou changer le concentrateur de place en tirant sur le cordon électrique.

NE JAMAIS laisser tomber ou insérer un objet ou du liquide dans les ouvertures.

Invacare recommande qu'un tube à oxygène anti-écrasement soit utilisé avec ce produit et qu'il ne dépasse pas 15.2 m (50 ft) de longueur.

Il n'y a pas de pièces réparables par l'utilisateur. Ceci n'inclue pas les éléments d'entretien normal. Voir la section entretien pour l'entretien des éléments par l'utilisateur.

NE JAMAIS laisser l'appareil sans surveillance lorsqu'il est branché. Assurez-vous que le Perfecto₂ est débranché lorsqu'il n'est pas utilisé.

Une supervision rapprochée est nécessaire lorsque ce produit est utilisé par ou à proximité des enfants ou des individus souffrant de handicaps physiques.

Un contrôle ou une attention particulière doit être apportée aux patients qui utilisent cet appareil ou qui sont incapables d'entendre ou de voir des alarmes ou de communiquer leur inconfort.

NE PAS brancher le concentrateur en parallèle ou en série avec d'autres concentrateurs d'oxygène ou appareils d'oxygénothérapie.

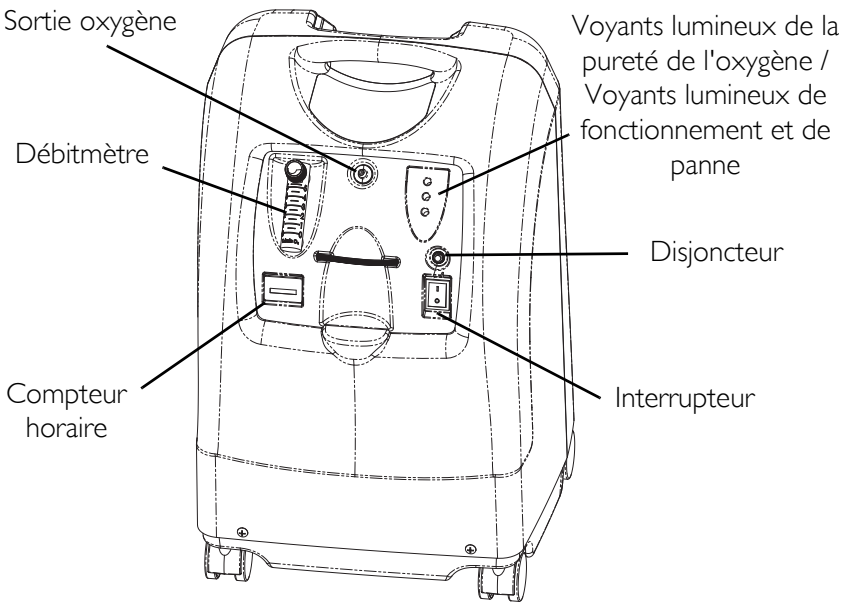
Interférence radioélectrique

Cet équipement a été testé et trouvé conforme aux limites EMC spécifiées par IEC/EN 60601-1-2. Ces limites sont destinées à protéger raisonnablement contre les interférences électromagnétiques dans une installation médicale typique.

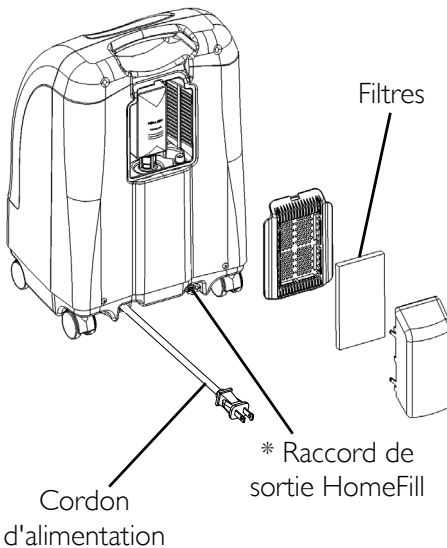
D'autres appareils peuvent recevoir des interférences même des plus bas niveaux des émissions électromagnétiques autorisées par les standards ci-dessus. Pour déterminer si les émissions du Perfecto₂ causent l'interférence, arrêtez le Perfecto₂. Si l'interférence avec l'autre appareil s'arrête, alors le Perfecto₂ cause l'interférence. Dans ces cas rares, l'interférence peut être réduite ou corrigée de l'une des façons suivantes:

- Repositionnez la machine, changez la de place, ou éloignez l'espacement entre les machines.
- Branchez l'appareil dans une prise différente de celle sur laquelle l'autre appareil est branché.

SECTION 2—CARACTÉRISTIQUES



VUE ARRIÈRE



**REMARQUE : Ce raccord de sortie ne doit être utilisé que pour remplir les bouteilles d'oxygène avec le compresseur HomeFill. Le raccord de sortie n'affecte pas la performance du concentrateur. Se référer au manuel d'utilisation HomeFill, référence 1145805, pour les instructions de raccordement et d'utilisation. L'obturateur fourni avec le concentrateur doit être introduit dans le raccord de sortie lorsqu'il n'est pas utilisé. Pour plus d'informations concernant le HomeFill, contactez votre vendeur Invacare.*

SECTION 3—MANIPULATION

Le concentrateur doit TOUJOURS être maintenu en position verticale afin d'éviter d'endommager le caisson lors du transport.

Si le concentrateur doit être réexpédié par transporteur, des cartons supplémentaires sont disponibles chez Invacare.

Déballage

REMARQUE : Pour cette procédure, se reporter à FIGURE 3.1.

1. Contrôler tout dommage évident du carton ou de son contenu. Si des dégâts sont visibles, informez-en le livreur, ou votre vendeur local.
2. Retirer toutes les garnitures des cartons.
3. Retirer soigneusement tous les éléments du carton.

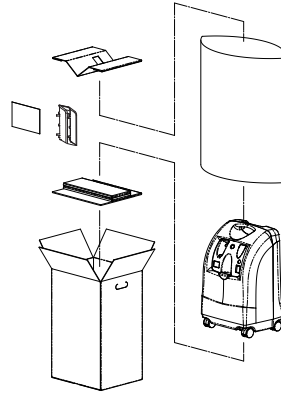


FIGURE 3.1 Déballage

REMARQUE : A moins que le concentrateur à oxygène doive être utilisé IMMEDIATEMENT, laisser le concentrateur dans son emballage pour le ranger jusqu'à ce que l'utilisation du concentrateur soit nécessaire.

Contrôle

1. Examiner/contrôler l'extérieur du concentrateur d'oxygène pour repérer d'éventuelles rayures, bosses, éraflures ou autres dommages. Contrôler tous les éléments.

Rangement

1. Ranger le concentrateur d'oxygène réemballé dans un endroit sec.
2. NE PAS placer d'autres objets au-dessus du concentrateur d'oxygène remis dans son emballage.

SECTION 4—DESCRIPTION TECHNIQUE

Le concentrateur Invacare Perfecto₂ est utilisé par les patients atteints de désordres respiratoires qui nécessitent un apport d'oxygène. L'appareil n'est pas prévu pour maintenir ou prolonger la vie.








Le taux concentration d'oxygène varie de 87 % à 95,5 %. L'apport en oxygène au patient se fait à l'aide d'une cannule nasale.

Le concentrateur Invacare Perfecto₂ utilise un tamis moléculaire et une méthode d'absorption de la pression pour produire la sortie d'oxygène. L'air ambiant entre dans l'appareil; est filtré puis compressé. L'air compressé est ensuite dirigé vers l'un des deux tamis absorbants l'azote. L'oxygène concentré s'échappe du tamis opposé et est dirigé dans un réservoir à oxygène où il est transmis au patient.

Le concentrateur Invacare Perfecto₂ est capable d'être utilisé par le patient dans un environnement d'habitation ou un environnement institutionnel. L'appareil fonctionne à une puissance nominale de 230 VAC/50 Hertz.

Les informations d'entretien seront fournies sur demande au personnel technique qualifié uniquement.

SECTION 5—PARAMÈTRES TYPES DU PRODUIT

	Courant alternatif
	Équipement de Type BF
	Appareil en marche
	Appareil à l'arrêt
	Attention - Consulter la documentation jointe
	NE PAS fumer
	Classe II, double isolation
IPX1	Protéger contre les projections d'eau
Caractéristiques électriques :	230 V c.a. \pm 10 % (253 V c.a./207 V c.a.), 50 Hz
Consommation de courant nominal :	1.4 A
Niveau sonore :	39 DbA de moyenne
Altitude :	<p>Tout le Perfecto2 Modèle : Jusqu'à 8.000 pi (2438 mètres) au-dessus du niveau de la mer sans la dégradation de niveaux de concentration. De 8.000 pi à 13.129 pi (4000 mètres) au dessous de 90% efficacité.</p> <p>Tout le Perfecto2 Modèle en remplissant un Système de HomeFill : Jusqu'à 6.000 pi (1828 mètres) au-dessus du niveau de la mer sans la dégradation de niveaux de concentration. De 6.000 pi (1828 mètres) à 13.129 pi (4000 mètres) au dessous de 90% efficacité.</p>

SECTION 5—PARAMÈTRES TYPES DU PRODUIT

Taux de concentration d'oxygène :	87 % à 95.6 % de 0.5 à 5 L/min 93% ± 3% à 2 L/min
<i>REMARQUE : Les taux de concentration indiqués ont été obtenus après une période de chauffe initiale d'environ 30 minutes.</i>	
Pression de sortie maximale :	34.5 kPa ± 3.45 kPa (5 psi ± 0.5 psi)
Plage de débit :	De 0.5 to 5 L/min (maximum) Pour les taux de débit inférieurs à 1L/min, nous recommandons l'utilisation du débitmètre pédiatrique Invacare (IRCPF16AW)
Alarme de baisse de débit :	De 0 L/min to 0.5 L/min Bips d'alarme rapides et audibles (Aucuns accessoires branchés)
Puissance moyenne Consommation:	Perfecto ₂ AW - 300 W @ 5 L/min, 280 W @ ≤ 3 L/min Perfecto ₂ VAW - 320 W @ 5 L/min
Mécanisme de décompression fonctionnant à :	24l kPa ± 24,1 kPa (35 psi ± 3,5 psi)
Modification du débit maximal recommandé lorsqu'une contre-pression de 7 kPa est appliquée :	0,7 l/mn.
Filtres :	Caisson, sortie HEPA et admission
Système de sécurité :	Arrêt en cas de surcharge de courant ou de surtension Arrêt du compresseur en cas de température élevée Alarme de haute pression avec arrêt du compresseur Alarme de basse pression avec arrêt du compresseur Alerte de perte d'alimentation auxiliaire Alarme de débit faible du système d'oxygène SensO ₂ (modèle SensO ₂)
Largeur :	38.1 cm ± 1 cm (15 in ± 3/8 in)
Hauteur :	58.4 cm ± 1 cm (23 in ± 3/8 in)
Profondeur :	30.5 cm ± 1 cm (12 in ± 3/8 in)



SECTION 5—PARAMÈTRES TYPES DU PRODUIT

Poids :	Perfecto ₂ AW - 20.5 kg ± 1 kg (45 lbs ± 2 lbs) Perfecto ₂ VAW - 18.1 kg ± 1 kg (40 lbs ± 2 lbs)
Poids d'expédition:	Perfecto ₂ AW - 22.7 kg ± 1 kg (50 lbs ± 2 lbs) Perfecto ₂ VAW - 20.4 kg ± 1 kg (45 lbs ± 2 lbs)
Température ambiante :	10° C - 35° C (50° F - 95° F) à une humidité relative de 20 à 60 %
Température de l'échappement de l'air de refroidissement :	Inférieur à la température ambiante +19 °C
Température de sortie de l'oxygène :	Inférieure à la température ambiante +3° C (+ 6° F)
Caisson :	Cofrage en plastique anti-chocs et retardateur de flammes conforme à la norme UL 94-V0
Pas de No AP/APG	Non adapté pour une utilisation en présence d'un mélange anesthésique inflammable
Liste standard et réglementaire:	IRC5PO2AW//IRC5PAW//IRC5PO2VAW IEC/EN 60601-1, A1, A2 IEC/EN 60601-1-2 IEC/EN61000-3-2 IEC/EN61000-3-3 Uniquement les modèles IRC5PO2AW//IRC5PO2VAW ISO8359 MDD 93/42/EEC, Annexe I et IX
Modèles CE :	IRC5PO2AW & IRC5PO2VAW
Électricité :	Pas de rallonge
Positionnement :	Éloigner le concentrateur d'oxygène à au moins 7,5 cm des murs, rideaux ou meubles pour assurer un débit d'air suffisant Éviter les moquettes épaisses et les appareils de chauffage, radiateurs ou registres d'air chaud Uniquement sur le sol Ne pas utiliser l'appareil dans des espaces confinés (Exemple: Placards ou Toilettes)
Lunette à oxygène :	Canule de 2 m (7 ft) indéformable de 15 m (50 ft) max. de tubage (NE PAS pincer).
Durée de fonctionnement :	Jusqu'à 24 heures par jour


SECTION 5—PARAMÈTRES TYPES DU PRODUIT

Température recommandée pour le stockage et l'expédition :	-29 ° C à 65° C, à une humidité relative de 15 à 95 %.
Environnement :	Sans fumée ni suie Ne pas utiliser l'appareil dans des espaces confinés (Exemple: Placards ou Toilettes)
Durée de fonctionnement minimum :	30 minutes

TÉMOINS IRC5PO2AW & IRC5PO2VAW

SYMBOLE FIGURANT SUR L'ÉTIQUETTE	PURETÉ O ₂	VOYANTS LUMINEUX (DEL)
O ₂	SYSTEM OKAY (SYSTÈME OKAY) O ₂ au dessus de 85 % (± 2 %)	Voyant lumineux VERT
	O ₂ entre 73 % (± 3 %) et 85 % (± 2 %)	Témoin lumineux JAUNE A. JAUNE fixe B. Voyant clignottant JAUNE Panne Appelez un technicien qualifié.
	SYSTÈME DEFAILLANT O ₂ au dessous de 73 % (±3 %)	Voyant lumineux ROUGE Alarme sonore continue Sieve-GARD arrêt du compresseur

VOYANT LUMINEUX IRC5PAW

SYMBOLE FIGURANT SUR L'ÉTIQUETTE	ÉTAT	VOYANTS LUMINEUX (DEL)
I/O	SYSTEM OKAY (SYSTÈME OKAY)	Voyant lumineux VERT
	SYSTÈME DEFAILLANT	Voyant lumineux ROUGE Alarme sonore continue Sieve-GARD™ Arrêt du compresseur Appelez un technicien qualifié

SECTION 6—CONSIGNES D'UTILISATION

Introduction

Votre concentrateur à oxygène est prévu pour un usage individuel. C'est un appareil électronique sépare l'oxygène de l'air ambiant. Il délivre une forte concentration d'oxygène par une canule nasale. Des études cliniques ont montré que les concentrateurs d'oxygène sont équivalents en matière de thérapie à d'autres types de système de délivrance d'oxygène.

Le prestataire démontrera comment utiliser le concentrateur d'oxygène. Il doit être consulté pour toutes questions ou problèmes posés par le concentrateur d'oxygène. Le manuel de l'utilisateur vous instruira sur votre concentrateur et vous servira de référence pour l'utilisation de votre concentrateur.

Choisir Un Endroit

⚠ MISE EN GARDE

NE JAMAIS bloquer les ouvertures d'air de l'appareil ni le placer sur une surface molle, un lit ou un canapé par exemple, pour ne pas bloquer les sorties d'air. Éloigner les peluches, cheveux et textures similaires des sorties d'air.

Tenir l'appareil éloigné des murs, rideaux, mobilier et autres d'au moins 7,5 cm.

Choisir une pièce dans la maison où l'utilisation du concentrateur d'oxygène sera la plus pratique. Le concentrateur doit pouvoir être facilement déplacé de pièce en pièce sur ses roulettes.

Votre concentrateur à oxygène sera plus performant si vous le faites fonctionner dans les conditions suivantes Paramètres types du produit en page 46. Une utilisation dans un environnement autre que celui décrit pourrait nécessiter une maintenance supplémentaire. L'admission d'air de l'appareil doit être située dans un endroit bien ventilé pour éviter les polluants atmosphériques et / ou les fumées. NE PAS l'utiliser dans un cagibi.

Montage

1. Brancher le cordon dans une prise électrique.
2. Raccorder l'humidificateur (Si cela a été recommandé).

MISE EN GARDE

NE PAS trop remplir l'humidificateur.

NE PAS inverser les connexions entrée et sortie d'oxygène. L'eau provenant de l'humidificateur repassera par la canule jusqu'à l'utilisateur.

REMARQUE : Pour cette procédure, se reporter à FIGURE 6.1, FIGURE 6.2 en page 52, FIGURE 6.3 en page 53.

1. Enlevez le bouchon de la bouteille.
2. Remplir l'humidificateur d'eau distillée jusqu'au niveau indiqué par le fabricant. Remettre le bouchon de l'humidificateur et bien le fermer.

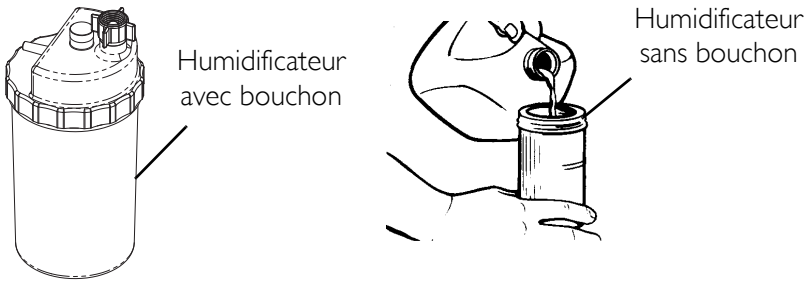


FIGURE 6.1 Remplissage de l'humidificateur

3. Insérer un tournevis à tête plate dans la rainure plaque sur le bord supérieur de la trappe d'accès et soulever délicatement la porte d'accès du filtre pour ouvrir la trappe (FIGURE 6.2).
4. Retirer le raccord de l'humidificateur (FIGURE 6.2).
5. Replacez la trappe d'accès au filtre et remettez l'ouïe d'aération sur la trappe d'accès du filtre en insérant les six taquets se trouvant sur l'ouïe d'aération dans les six encoches situées sur les côtés de la trappe d'accès au filtre.

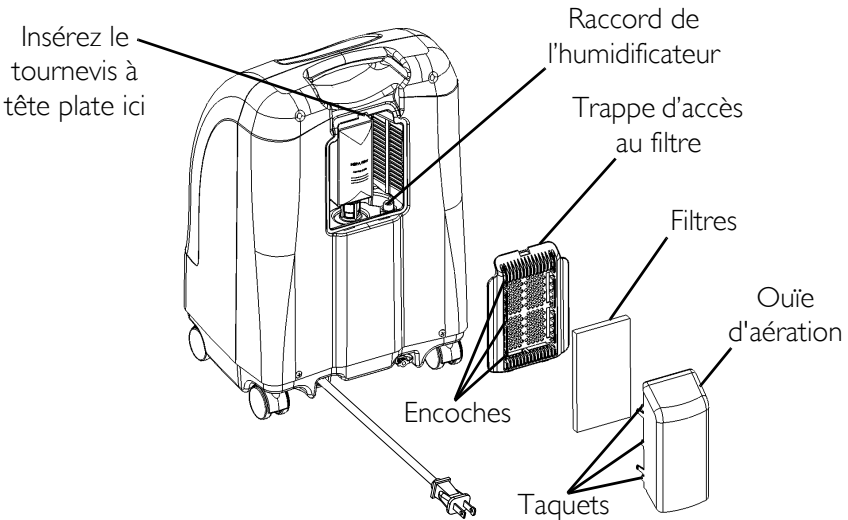


FIGURE 6.2 Adaptateur de l'humidificateur

6. Fixez le raccord de l'humidificateur sur l'humidificateur en tournant la vis à oreilles de l'humidificateur dans le sens des aiguilles d'une montre jusqu'à ce qu'il soit bien fixé. Voir Détail "A" dans FIGURE 6.3.
7. Placer l'humidificateur sur le compartiment humidificateur du concentrateur. Voir Détail "B" dans FIGURE 6.3.
8. Fixer le tube à oxygène à l'humidificateur ou sur l'embout de sortie de l'oxygène sur le concentrateur. Voir Détail "B" dans FIGURE 6.3.
9. Fixer la canule / le tube d'alimentation du patient à la sortie de l'humidificateur. Voir Détail "B" dans FIGURE 6.3.
10. Après montage, s'assurer que l'oxygène passe bien par la canule.

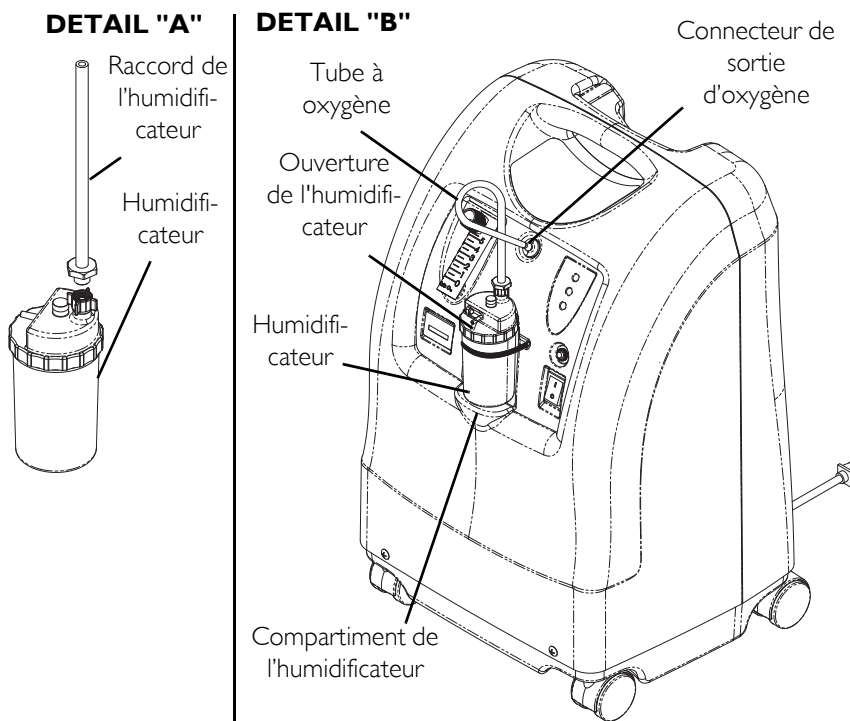


FIGURE 6.3 Compartiment de l'humidificateur

Interrupteur

REMARQUE : Pour cette procédure, se reporter à FIGURE 6.4.

1. Mettre l'interrupteur sur la position Marche. Tous les voyants lumineux et l'alarme sonore s'allument pendant une seconde pour indiquer que l'appareil fonctionne normalement.

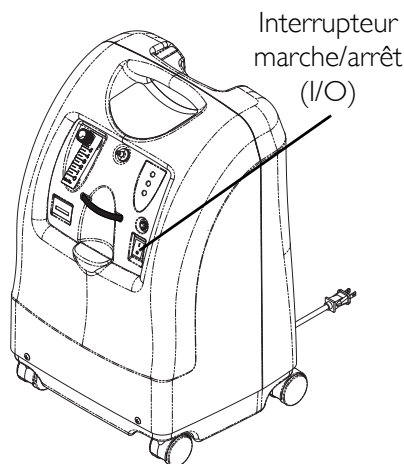


FIGURE 6.4 Interrupteur

Débit

REMARQUE : Pour cette procédure, se reporter à FIGURE 6.5.

REMARQUE : Veiller à ne pas régler le débit au-dessus de l'anneau ROUGE. Un taux de débit d'oxygène supérieur à 5 L/min diminuera la concentration d'oxygène.

1. Tourner le bouton de débit sur le réglage recommandé par le médecin.

⚠ MISE EN GARDE

NE PAS modifier le réglage L/mn du débitmètre tant qu'un changement n'a pas été demandé par le médecin.

REMARQUE : Pour bien lire le débitmètre, repérer le trait de débit recommandée. Tourner ensuite le bouton de débit de façon à voir la bille monter jusqu'au trait. Maintenant, centrer la bille sur le trait L/mn recommandé.

2. Si le débit indiqué par le débitmètre chute au-dessous de 0,5 L/mn pendant plus d'une minute environ, l'alarme de DÉBIT MINIMUM se déclenche. L'alarme sonore émet des signaux rapides. Contrôler le tube ou les accessoires pour repérer tout blocage ou pincement du tube ou un défaut de l'humidificateur. Une fois le débit normal rétabli, à savoir plus de 0,5 L/mn, l'alarme sonore de DEBIT MINIMUM s'arrête.

REMARQUE : L'utilisation d'accessoires tels que le débitmètre pédiatrique et le compresseur HomeFill désactive l'alarme de baisse de débit.

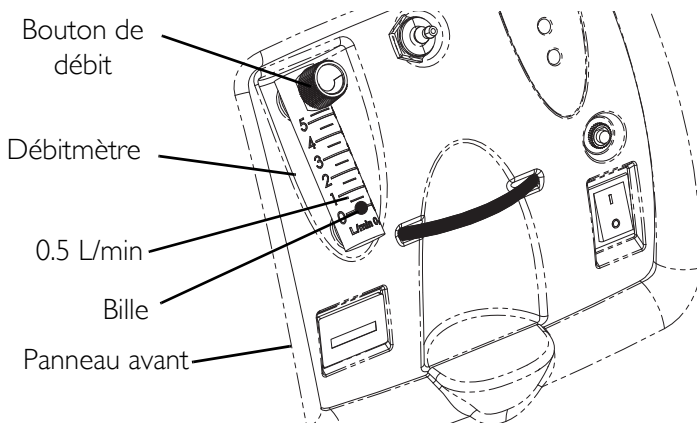


FIGURE 6.5 Débit

Témoin de la pureté de l'oxygène SensO₂ - Modèle IRC5PO2AW & IRC5PO2VAW

Ce dispositif contrôle la pureté de l'oxygène généré par le concentrateur d'oxygène. Si la pureté tombe au-dessous des normes prérégées à l'usine, les voyants du tableau de contrôle s'allument.

Mise en marche initiale du concentrateur

REMARQUE : Le concentrateur peut être utilisé pendant la durée de chauffe du démarrage initial (environ 30 mn) en attendant que le voyant de pureté O₂ vert s'allume.

Lorsque l'appareil est mis en marche, le voyant VERT s'allume (SYSTÈME CORRECT/O₂ supérieur à 85 %). Après 5 minutes, le capteur d'oxygène fonctionne normalement et commande les voyants lumineux en fonction de la concentration d'oxygène définie.

Explication des témoins lumineux de la pureté de l'ocygène - Modèle IRC5PO2AW & IRC5PO2VAW

REMARQUE : Pour cette procédure, se reporter à FIGURE 6.6 en page 56.

Voyant VERT (O₂) - Fonctionnement normal.

Témoin lumineux JAUNE (⚠) - Appelez le fournisseur immédiatement. Le patient peut continuer à utiliser le concentrateur sauf instructions contraires de la part du prestataire. S'assurer que la réserve d'oxygène est à proximité.

Voyant ROUGE (🔴) - Arrêt total de l'appareil. Passez immédiatement sur un apport d'oxygène de secours et appelez le fournisseur.

Témoin lumineux VERT - avec un clignottant JAUNE - appelez le fournisseur immédiatement. Mauvais fonctionnement du capteur d'oxygène ; le patient peut continuer d'utiliser le concentrateur.

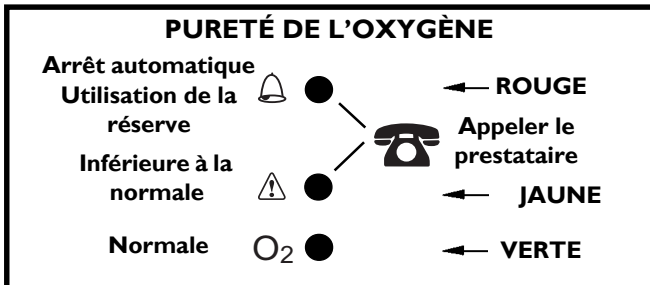


FIGURE 6.6 Explication des témoins lumineux de la pureté de l'ocygène - Modèle IRC5PO2AW & IRC5PO2VAW

Explication des témoins lumineux - Modèle IRC5PAW

REMARQUE : Pour cette procédure, se reporter à FIGURE 6.7.

Modèle IRC5PAW - Explication des témoins lumineux

Voyant ROUGE (△) - Arrêt total de l'appareil. Passez immédiatement sur un apport d'oxygène de secours et appelez le fournisseur.

Voyant VERT (I/O) - Marche/arrêt. Système correct.

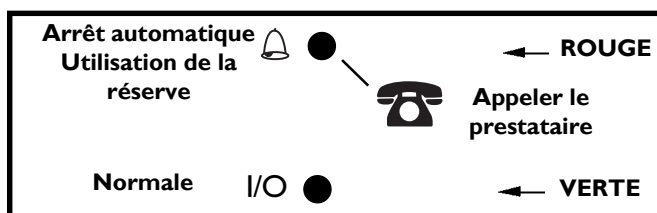


FIGURE 6.7 Explication des témoins lumineux - Modèle IRC5PAW

Compteur horaire

Le compteur horaire affiche le cumul des heures de fonctionnement de la machine.

SECTION 7—ENTRETIEN

⚠ MISE EN GARDE

Les concentrateurs Invacare sont spécialement conçus pour minimiser les opérations de maintenance préventive de routine. Seules les personnes qualifiées sont autorisées à effectuer l'entretien de routine du concentrateur.

Débrancher le concentrateur lors du nettoyage. Pour éviter les risques d'électrocution, NE PAS retirer le capot supérieur.

REMARQUE : La maintenance préventive DOIT au moins être effectuée conformément aux instructions du carnet de maintenance. Une maintenance plus fréquente peut s'avérer nécessaire sur les sites très poussiéreux ou impliquant des niveaux de suies élevés. Refer to Rapport de maintenance préventive on page 60.

Entretien de routine

L'entretien de routine ci-dessous doit être effectué plus fréquemment. Regardez les intervalles recommandés dans chaque section et Rapport de maintenance préventive en page 60.

Nettoyage des filtres

ATTENTION

NE PAS faire fonctionner le concentrateur si les filtres ne sont pas installés.

REMARQUE : Pour cette procédure, se reporter à FIGURE 7.1 en page 59.

REMARQUE : Il y a un filtre situé à l'arrière du caisson.

1. Vérifiez le filtre chaque mois. Enlevez le filtre et nettoyez le si nécessaire.

REMARQUE : Les conditions environnementales nécessitant une vérification plus fréquente et le nettoyage du filtre incluent, mais ne se limitent pas à: poussière dense, polluants atmosphériques, etc.

2. Nettoyer le filtre à l'aspirateur ou à l'eau chaude savonneuse et les rincer soigneusement.
3. Séchez le filtre soigneusement avant de le remettre.

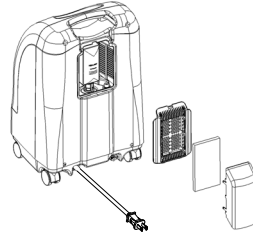
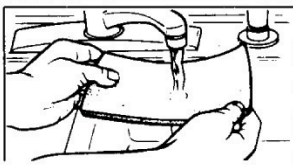


FIGURE 7.1 Nettoyage des filtres

Nettoyer le caisson supérieur

1. Nettoyer le caisson supérieur avec un produit nettoyant doux et un chiffon ou une éponge douce.

Nettoyer l'humidificateur

REMARQUE : Pour nettoyer l'humidificateur d'oxygène, suivre les instructions fournies par le fabricant. Sinon, suivre ces ÉTAPES :

1. Nettoyer l'humidificateur tous les jours.
2. Le laver à l'eau savonneuse et le rincer avec une solution de dix (10) volumes d'eau pour un (1) de vinaigre.
3. Le rincer soigneusement à l'eau chaude et le remplir d'eau distillée jusqu'au niveau indiqué sur l'humidificateur.



RAPPORT DE MAINTENANCE PRÉVENTIVE
À CHAQUE CONTRÔLE

MODÈL N° IRC _____ NUMÉRO DE SÉRIE _____

	Yes, you can:											
Enregistrer la date d'entretien												
Enregistrer les heures écoulées sur le compteur horaire												
Nettoyer le filtre												
Vérifier le débit prescrit en l/min												
CHAQUE 4 380 HEURES												
Contrôler la concentration d'oxygène (UNITÉS SANS SensO ₂)												
TOUS LES 26 280 HEURES OU LES 3 ANS, CELUI QUI SE PRODUIT EN PREMIER												
Contrôler la concentration d'oxygène (UNITÉS AVEC SensO ₂)												
DANS LE CADRE DU PROGRAMME DE MAINTENANCE PRÉVENTIVE OU ENTRE PATIENTS												
Nettoyer/Remplacer le filtre du caisson												
Contrôler le filtre HEPA, sortie*												
Vérifiez le filtre d'admission du compresseur												
Contrôler l'alarme de perte d'alimentation												
SELON LE BESOIN												
Nettoyer l'échangeur thermique												
Remplacer le silencieux d'échappement												
Remontez la partie supérieure du compresseur												

*REMARQUE : Se reporter à la section Maintenance préventive du manuel d'entretien.

REMARQUE :
 4 380 heures sont équivalentes à une utilisation pendant 24 heures, sept jours par semaine pendant 6 mois.
 26 280 heures sont équivalentes à une utilisation pendant 24 heures, sept jours par semaine pendant 3 mois.

FIGURE 7.2 Rapport de maintenance préventive

SECTION 8—GUIDE DE DÉPANNAGE

SYMPTÔME :	CAUSE PROBABLE :	SOLUTION :
<p>Alarme :</p> <p>Bips sonores, courts, longue</p> <p>Le concentrateur ne fonctionne pas, L'interrupteur est sur marche</p> <p>Bip....Bip....</p>	<p>Perte d'alimentation principale :</p> <ol style="list-style-type: none"> 1. Le cordon n'est pas branché. 2. Pas de courant à la sortie. 3. Disjoncteur déclenché. 	<ol style="list-style-type: none"> 1. Insérer la fiche dans la prise. 2. Contrôler le disjoncteur ou les fusibles. Si le problème se produit de nouveau, utiliser une autre prise. 3. Pousser/réinitialiser le coupe circuit. Si le problème persiste, appelez votre service client.
<p>Alarme :</p> <p>Continue</p> <p>Le concentrateur ne fonctionne pas. L'interrupteur est sur marche</p> <p>Biiiiiiip.....</p>	<p>Défaillance du système :</p> <ol style="list-style-type: none"> 1. Surchauffe de l'appareil du fait du blocage de l'admission d'air. 2. Puissance insuffisante à la sortie. 3. Réparations internes requises. 	<ol style="list-style-type: none"> 1a. Retirer le filtre caisson et le nettoyer. 1b. Éloigner le concentrateur d'oxygène à au moins 7,5 cm des murs, rideaux ou meubles. <ol style="list-style-type: none"> 2. NE PAS utiliser de rallonge. Passer à une autre circuit ou prise électrique. 3. Appeler le service après-vente.

SYMPTÔME :	CAUSE PROBABLE :	SOLUTION :
<p>Voyant JAUNE ou ROUGE allumé.</p> <p>Alarme : Continue Voyant ROUGE uniquement.</p> <p>* S'applique uniquement sur les modèles IRC5PO2AW & IRC5PO2VAW</p>	<p>1. Pureté d'oxygène faible.*</p> <p>2. Tube, canule ou humidificateur coudé ou bloqué.*</p> <p>3. Débitmètre à 0.5 L/min*.</p> <p>4. Surchauffe de l'appareil du fait du blocage de l'admission d'air.</p> <p>5. Puissance insuffisante à la sortie.</p> <p>6. Réparations internes requises.</p>	<p>1. Nettoyer ou remplacer le filtre.</p> <p>2. Contrôler l'absence de coudes ou blocages. Rectifier, nettoyer ou remplacer l'article. Une fois la correction exécutée, mettre hors tension pendant 60 secondes, puis de nouveau sous tension.</p> <p>3. Vérifier que le débitmètre est réglé sur 1.0 L/mn ou plus. Se reporter à <u>Paramètres types du produit</u> en page 46.</p> <p>4a. Retirer le filtre caisson et le nettoyer. 4b. Éloigner le concentrateur à au moins 7,5 cm des murs, rideaux ou meubles.</p> <p>5. NE PAS utiliser de rallonge. Passer à une autre circuit ou prise électrique.</p> <p>6. Appeler le service après-vente.</p>
<p>Voyant VERT avec clignotement voyant JAUNE</p>	<p>1. Réparations internes requises.</p>	<p>1. Appeler le service après-vente.</p>
<p>Alarme :</p> <p>Rapide</p> <p>Bip... Bip... Bip... Bip...</p>	<p>ALARME DE BAISSSE DE DEBIT</p> <p>1. Tube, canule ou humidificateur coudé ou bloqué.</p> <p>2. Débitmètre à 0.5 L/min</p>	<p>1. Contrôler l'absence de coudes ou blocages. Rectifier, nettoyer ou remplacer l'article. Une fois la correction exécutée, mettre hors tension pendant 60 secondes, puis de nouveau sous tension.</p> <p>2. Les débits inférieurs à 1 l/mn ne sont pas recommandés</p>

SECTION 9—ACCESSOIRES EN OPTION

Les accessoires en option ci-dessous sont également disponibles:

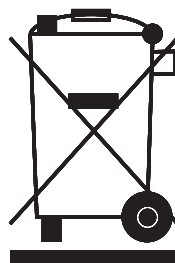
- Cannule nasale adulte standard, 2.1 m (7 feet)- M3120
- Humidificateur standard - M5120
- Débitmètre pédiatrique PreciseRX™/Débitmètre - IRCPF16AW
- Compresseur à oxygène particulier HomeFill - IOH200AW

INFORMATIONS DE RECYCLAGE

Ce produit a été livré par un fabricant soucieux de l'environnement et conforme à la directive 2002/96/CE sur la mise au rebut des équipements électroniques et électriques WEEE.

Ce produit est susceptible de contenir des substances potentiellement nocives pour l'environnement s'il est mis au rebut dans des endroits (décharges) non conformes à la législation en vigueur.

Le symbole « poubelle barrée » est apposé sur ce produit pour vous encourager à le recycler dans les structures de collecte appropriées.



Veillez vous comporter de manière responsable vis-à-vis de l'environnement et recycler ce produit arrivé en fin de vie par le biais d'un centre de recyclage.

LIMITES DE GARANTIE

Belgium & Luxemburg:

Invacare nv, Autobaan 22, B-8210 Loppem
Tel: (32) (0) 50 83 10 10
Fax: (32) (0) 50 83 10 11
belgium@invacare.com

Danmark:

Invacare A/S, Sdr. Ringvej 37, DK-2605
Brøndby
Tel: (45) (0)36 90 00 00
Fax: (45) (0)36 90 00 01
denmark@invacare.com

Deutschland:

Invacare Aquatec GmbH,
Alemanenstraße 10, D-88316 Isny
Tel: (49) (0)75 62 7 00 0
Fax: (49) (0)75 62 7 00 66
info@invacare-aquatec.com

European Distributor Organisation:

Invacare, Kleiststraße 49, D-32457 Porta
Westfalica
Tel: (49) (0)57 31 754 540
Fax: (49) (0)57 31 754 541
edo@invacare.com

España:

Invacare SA, c/Areny s/n, Polígon
Industrial de Celrà, E-17460 Celrà (Girona)
Tel: (34) (0)972 49 32 00
Fax: (34) (0)972 49 32 20
contactsp@invacare.com

France:

Invacare Poirier SAS, Route de St Roch,
F-37230 Fondettes
Tel: (33) (0)2 47 62 64 66
Fax: (33) (0)2 47 42 12 24
contactfr@invacare.com

Switzerland:

Invacare AG,
Benkenstrasse 260, CH-4108 Witterswil
Tel: (41) (0)61 487 70 80
Fax: (41) (0)61 487 70 81
switzerland@invacare.com

Ireland:

Invacare Ireland Ltd, Unit 5 Seatown
Business Campus,
Seatown Road, Swords, County Dublin –
Ireland
Tel: (353) 1 810 7084
Fax: (353) 1 810 7085
ireland@invacare.com

Italia:

Invacare Mecc San s.r.l., Via dei Pini 62,
I-36016 Thiene (VI)
Tel: (39) 0445 38 00 59
Fax: (39) 0445 38 00 34
italia@invacare.com

Nederland:

Invacare BV, Celsiusstraat 46, NL-6716 BZ
Ede
Tel: (31) (0)318 695 757
Fax: (31) (0)318 695 758
nederland@invacare.com
csede@invacare.com

Norge:

Invacare AS, Grensesvingen 9, Postboks
6230, Etterstad, N-0603 Oslo
Tel: (47) (0)22 57 95 00
Fax: (47) (0)22 57 95 01
norway@invacare.com
island@invacare.com

Österreich:

Invacare Austria GmbH, Herzog
Odilostasse 101, A-5310 Mondsee
Tel: (43) 6232 5535 0
Fax: (43) 6232 5535 4
info@invacare-austria.com

Sverige & Suomi:

Invacare AB, Fagerstagatan 9,
S-163 91 Spånga
Tel: (46) (0)8 761 70 90
Fax: (46) (0)8 761 81 08
sweden@invacare.com
finland@invacare.com

United Kingdom:

Invacare Limited, Pencoed Technology
Park, Pencoed, Bridgend CF35 5HZ
Tel: (44) (0) 1656 776200
Fax: (44) (0) 1656 776201
Customer Services:
Tel: (44) (0) 1656 776222
Fax: (44) (0) 1656 776220
UK@invacare.com

Portugal:

Invacare Lda,
Rua Estrada Velha, 949, P-4465-784 Leça do
Balio
Tel: (351) (0)225 1059 46/47
Fax: (351) (0)225 1057 39
portugal@invacare.com

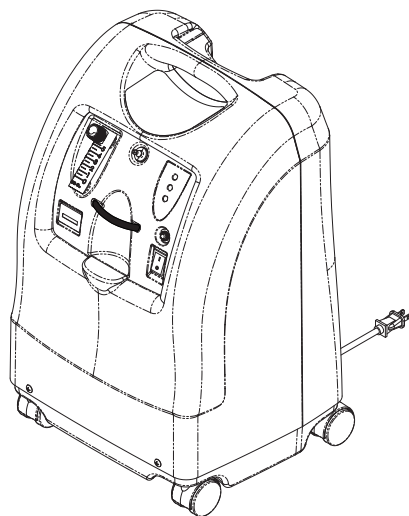
Manuale dell'operatore

Serie Perfecto₂TM

Concentratori di ossigeno senza SensO₂[®],

Concentratori di ossigeno con SensO₂[®]

Compatibili con HomeFill[®]



Modello IRC5PO2AW
Modello IRC5PO2VAW

Modello IRC5PAW

Rivenditore: Consegnare IL presente manuale all'utente finale.

Utente: PRIMA di utilizzare questo prodotto, leggere il presente manuale e conservarlo per consultazione successiva.

Per maggiori informazioni relative a prodotti, parti di ricambio e servizi Invacare, visitare il sito www.invacare.com



Yes, you can.

AVVERTENZA

NON utilizzare questo prodotto o qualsiasi altro apparecchio opzionale disponibile senza aver prima letto per intero e aver compreso queste istruzioni ed eventuale altro materiale informativo quali i manuali per l'utente, i manuali di manutenzione o i fogli di istruzioni forniti con questo prodotto o con l'apparecchio opzionale. Se non si comprendono le avvertenze, i messaggi di attenzione o le istruzioni, rivolgersi a un operatore sanitario, rivenditore o tecnico qualificato prima di provare a utilizzare questa apparecchiatura. In caso contrario, possono verificarsi lesioni o da.

AVVERTENZA SUGLI ACCESSORI

I prodotti Invacare sono specificamente progettati e fabbricati per essere utilizzati insieme agli accessori Invacare. Gli accessori progettati da altri costruttori non sono stati testati da Invacare e pertanto se ne sconsiglia l'utilizzo con i prodotti Invacare.

ACCESSORI

Con questo dispositivo è possibile utilizzare molti tipi diversi di umidificatori, tubi dell'ossigeno, cannule e maschere. Rivolgersi al proprio fornitore di apparecchiature per la cura a domicilio per suggerimenti sui dispositivi più adatti in ogni caso specifico. Verranno fornite informazioni sull'utilizzo adeguato, la manutenzione e la pulizia.

NOTA: Versioni aggiornate di questo manuale sono reperibili sul sito www.invacare.com.

INDICE

ACCESSORI	67
NOTE SPECIALI	69
POSIZIONE DELLE ETICHETTE	71
SEZIONE 1—INDICAZIONI GENERALI	72
Informazioni operative	73
Interferenze a radiofrequenza	74
SEZIONE 2—CARATTERISTICHE	75
SEZIONE 3—MANEGGIO	76
Disimballaggio.....	76
Ispezione.....	76
Conservazione	76
SEZIONE 4—DESCRIZIONE TECNICA	77
SEZIONE 5—PARAMETRI TIPICI DEL PRODOTTO	78
SEZIONE 6—ISTRUZIONI PER L'USO	82
Introduzione	82
Scelta di una ubicazione	82
Preparazione all'uso	83
Interruttore di alimentazione	85
Velocità di flusso.....	86
Indicatore di purezza dell'ossigeno SensO ₂ - Modello IRC5PO2AW & IRC5PO2VAW.....	87
Avvio iniziale del concentratore	87
Spiegazione delle spie luminose - Modello IRC5PAW	88
Indicatore di tempo trascorso (contaore)	88
SEZIONE 7—MANUTENZIONE	89
Manutenzione di routine.....	89
SEZIONE 8—GUIDA ALLA RISOLUZIONE DEI PROBLEMI	92
SEZIONE 9—ACCESSORI OPZIONALI	94
INFORMAZIONI PER IL RICICLO	95
GARANZIA LIMITATA	96

NOTE SPECIALI

Le parole utilizzate in questo manuale per le segnalazioni si riferiscono a situazioni o procedure pericolose che potrebbero causare lesioni alle persone o danni alle proprietà. Per una definizione delle parole utilizzate per le segnalazioni fare riferimento alla seguente tabella.

SEGNALAZIONE	SIGNIFICATO
PERICOLO	Pericolo indica una situazione di pericolo imminente che, se non evitata, provoca il decesso o lesioni gravi.
AVVERTENZA	Avvertenza indica una situazione di potenziale pericolo che, se non evitata, potrebbe provocare il decesso o lesioni gravi.
ATTENZIONE	Attenzione indica una situazione di potenziale pericolo che, se non evitata, può provocare danni alle cose e/o lesioni non gravi.

AVVISO

Le informazioni contenute in questo documento sono soggette a variazioni senza preavviso.

PERICOLO

NON FUMARE durante l'utilizzo di questo dispositivo. **Tenere i fiammiferi, le sigarette accese o altre fonti di incendio fuori dal locale in cui è ubicato questo prodotto e lontane dal punto in cui viene erogato ossigeno.**

Mettere bene in evidenza i DIVIETI DI FUMARE. I tessuti e altri materiali che normalmente non brucerebbero si infiammano facilmente e bruciano con grande intensità in aria con alta concentrazione di ossigeno. **La mancata osservanza di questa avvertenza può essere causa di gravi incendi, danni alle proprietà e lesioni fisiche o decesso.**

ATTENZIONE

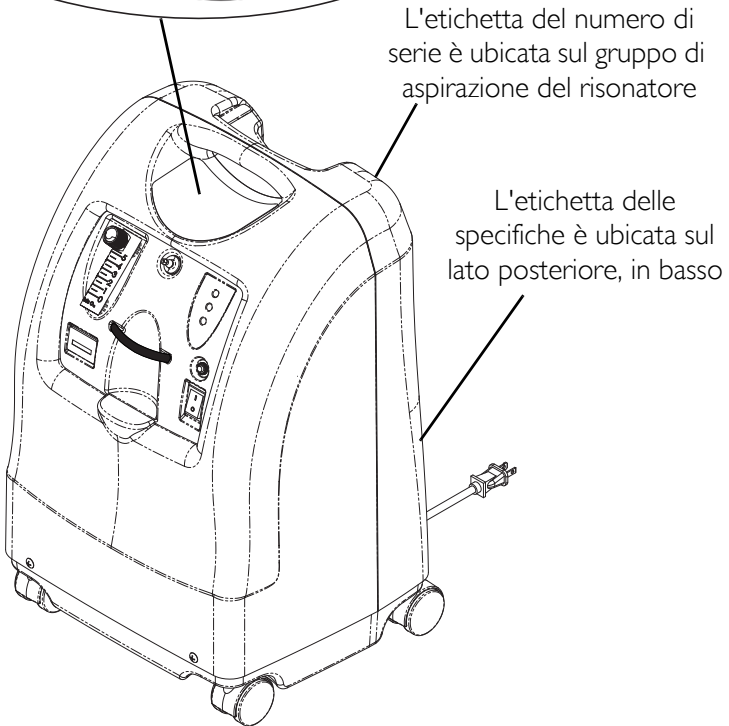
“Attenzione: La legislazione può limitare la vendita di questo dispositivo da parte o su prescrizione di un medico ospedaliero o di qualsiasi altro medico autorizzato dalla legislazione dell’agenzia governativa presso la quale esercita la sua attività ad utilizzare.

Invacare raccomanda di ricorrere a una fonte alternativa di ossigeno supplementare in caso di mancanza di corrente elettrica, situazione di allarme o guasto meccanico.

Consultare il proprio medico o il fornitore dell'apparecchio per informazioni sul tipo di sistema di riserva da utilizzare.

Quest’apparecchio deve essere usato come integrazione di ossigeno e non va considerato come un supporto o un sostegno vitale.

POSIZIONE DELLE ETICHETTE



SEZIONE I—INDICAZIONI GENERALI

Per garantire che il montaggio, il collegamento e il funzionamento del concentratore Perfecto₂ avvengano in condizioni di sicurezza, è essenziale ATTENERSI a queste istruzioni.

⚠ AVVERTENZA

Questa sezione contiene informazioni importanti per il funzionamento e l'utilizzo in sicurezza di questo prodotto.

⚠ PERICOLO

Rischio di scosse elettriche. **NON** smontare l'apparecchio. Per qualsiasi intervento, rivolgersi a personale qualificato. Non sono presenti parti della cui revisione tecnica debba occuparsi l'utente.

RIDUZIONE DEL RISCHIO DI USTIONI, ELETTROCUZIONE, INCENDIO O LESIONI PERSONALI

Non usare l'apparecchio quando si fa il bagno. Se il medico ha prescritto l'uso ininterrotto, il concentratore **DEVE** essere collocato in un'altra stanza, a una distanza di almeno 2,5 m (7 piedi) dalla vasca.

NON toccare il concentratore quando è bagnato.

NON installare o conservare l'apparecchio in una posizione in cui possa cadere in acqua o in un altro liquido.

NON toccare l'apparecchio se è caduto in acqua. Staccare **IMMEDIATAMENTE** la spina.

Se il cavo o la spina del concentratore sono danneggiati, se il concentratore non funziona correttamente, è caduto o è stato danneggiato o è stato immerso in acqua, rivolgersi a un tecnico specializzato affinché provveda alla necessaria verifica e riparazione.

⚠ PERICOLO

Nel caso in cui olio, grassi o sostanze unte vengano a contatto con l'ossigeno sotto pressione, è possibile che si sviluppi una combustione violenta e spontanea. Tali sostanze DEVONO essere quindi tenute lontane dal concentratore di ossigeno, dalle tubature, dalle connessioni e da qualsiasi altro apparecchio ad ossigeno. NON usare alcun lubrificante a meno che non sia espressamente consigliato da Invacare.

Evitare la creazione di qualsiasi scintilla in vicinanza dell'apparecchio, comprese quelle di origine elettrostatica create da qualsiasi tipo di attrito.

Informazioni operative

Per ottimizzare le prestazioni, Invacare consiglia di accendere e far funzionare ogni concentratore per almeno 30 minuti per volta. Periodi di funzionamento più brevi possono ridurre la durata di vita massima del prodotto.

Il tubo dell'ossigeno, il cavo e l'unità non devono essere tenuti sotto a coperte, copriletto, cuscini o capi d'abbigliamento e devono essere tenuti lontani da superfici calde o fonti di calore, quali stufe, piani di cottura e apparecchi elettrici simili.

NON tirare il cavo di alimentazione per spostare o collocare altrove il concentratore.

Non lasciare MAI cadere né inserire alcun oggetto o liquido in nessuna apertura.

Invacare raccomanda di utilizzare con questo prodotto tubi dell'ossigeno antischiumamento di lunghezza non superiore a 15,2 m (50 piedi).

Non sono presenti parti della cui revisione tecnica debba occuparsi l'utente. Questo non riguarda i componenti da sottoporre a manutenzione ordinaria. Vedere la sezione sulla manutenzione per informazioni sui componenti della cui manutenzione deve occuparsi l'utente.

Non lasciare MAI l'apparecchio senza sorveglianza quando è sotto tensione (spina inserita). Accertarsi che Perfecto₂ sia spento, ovvero su Off, quando non viene utilizzato.

Quando l'apparecchio è usato in presenza di bambini o di persone disabili, è necessario prestare una scrupolosa attenzione.

Possono essere necessarie una maggiore attenzione o misure supplementari di controllo se il paziente che utilizza questo dispositivo non è in grado di sentire o vedere gli allarmi o di comunicare eventuale fastidio.

NON connettere il concentratore in parallelo o in serie con altri concentratori di ossigeno o altri dispositivi per la terapia a base di ossigeno.

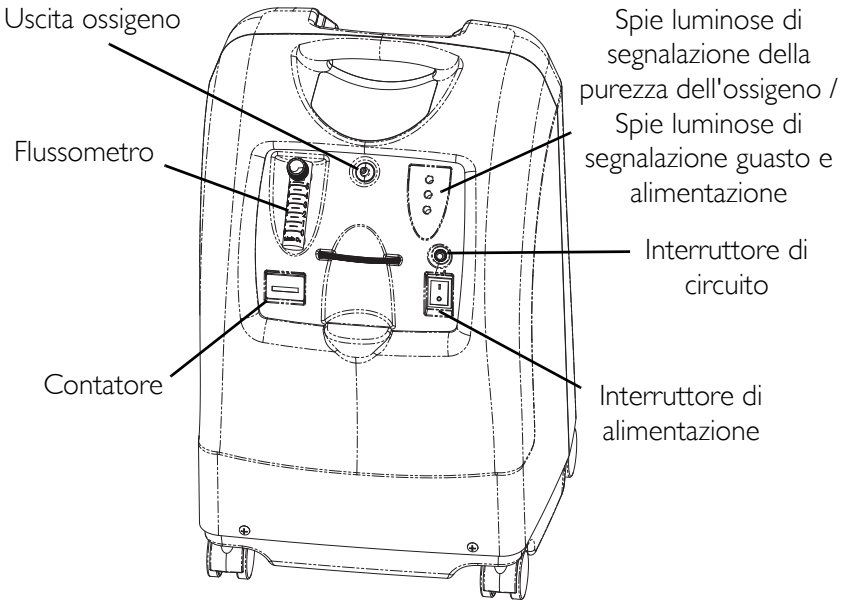
Interferenze a radiofrequenza

Il presente apparecchio è stato sottoposto a collaudo e ne è stata verificata la conformità con i limiti di compatibilità elettromagnetica specificati dalla norma IEC/EN 60601-1-2. Questi limiti sono stati elaborati per fornire una protezione ragionevole contro le interferenze elettromagnetiche di una tipica apparecchiatura medica.

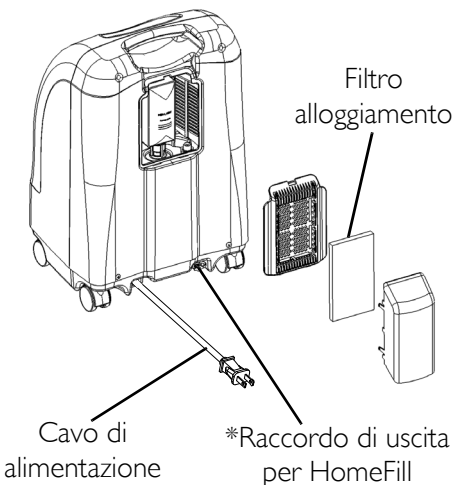
Altri dispositivi potrebbero subire interferenze perfino con i bassi livelli di emissioni elettromagnetiche consentiti dagli standard di cui sopra. Per stabilire se l'interferenza è causata da Perfecto₂, spegnere il concentratore. Se l'interferenza con l'altro o gli altri dispositivi scompare, significa che è causata da Perfecto₂. In questi rari casi, l'interferenza può essere ridotta o eliminata adottando uno dei rimedi seguenti:

- Cambiare la posizione, spostare altrove o aumentare la distanza fra gli apparecchi.
- Collegare l'apparecchio a una presa di un circuito elettrico diverso da quello che alimenta l'altro o gli altri dispositivi.

SEZIONE 2—CARATTERISTICHE



VISTA POSTERIORE



**NOTA: Questo raccordo di uscita deve essere usato solo per riempire di ossigeno i cilindri con il compressore di ossigeno HomeFill. Il raccordo di uscita non incide sulle prestazioni del concentratore. Per informazioni relative al collegamento e al funzionamento, consultare il manuale dell'utente di HomeFill, numero di parte 1145805. Quando non è utilizzata, la spina fornita con il concentratore deve essere inserita nel raccordo di uscita. Per maggiori informazioni su HomeFill, contattare il rivenditore Invacare.*

SEZIONE 3—MANEGGIO

Il concentratore deve essere tenuto **SEMPRE** in posizione verticale per evitare danni all'alloggiamento durante il trasporto.

Se il concentratore deve essere rispedito mediante un normale corriere, Invacare fornisce materiale da imballo supplementare.

Disimballaggio

NOTA: Per questa procedura, fare riferimento alla FIGURA 3.1.

1. Verificare che il cartone e il relativo contenuto non abbiano subito nessun danno evidente. Se il danno è evidente, avvisare il corriere o il rivenditore locale.
2. Rimuovere l'imballo.
3. Estrarre con cura dal cartone tutti i componenti.

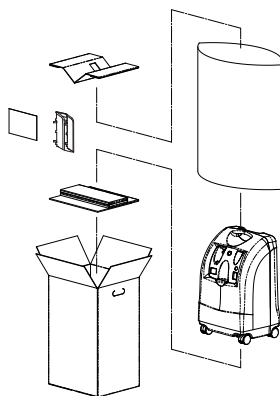


FIGURA 3.1 Disimballaggio

NOTA: Se il concentratore di ossigeno non deve essere usato IMMEDIATAMENTE, lasciarlo nel suo imballo fino a quando non si presenta la necessità di utilizzarlo.

Ispezione

1. Verificare che l'esterno del concentratore di ossigeno non presenti scheggiature, ammaccature, graffi o altri danni. Ispezionare tutti i componenti.

Conservazione

1. Conservare il concentratore all'interno del proprio imballo all'asciutto.
2. **NON** posare alcun oggetto sulla parte superiore dell'imballo del concentratore.

SEZIONE 4—DESCRIZIONE TECNICA

Il concentratore Perfecto₂ Invacare è destinato a pazienti con disfunzioni respiratorie che necessitano di ossigeno supplementare. Il dispositivo non è destinato a sostenere o garantire la sopravvivenza.








Il livello di concentrazione dell'ossigeno del gas erogato è compreso fra l'87% e il 95,6%. L'ossigeno viene somministrato al paziente mediante una cannula nasale.

Il concentratore Perfecto₂ Invacare utilizza un setaccio molecolare e un processo di assorbimento per oscillazione della pressione per produrre l'ossigeno erogato. L'aria dell'ambiente circostante entra nel dispositivo, viene filtrata e quindi compressa. Quest'aria compressa viene successivamente indirizzata verso uno dei due setacci di assorbimento dell'azoto. L'ossigeno concentrato fuoriesce dal lato opposto del setaccio attivo e viene convogliato in un serbatoio di ossigeno da cui viene somministrato al paziente.

Il concentratore Perfecto₂ Invacare può essere utilizzato dal paziente a casa o presso una struttura sanitaria. Il dispositivo funziona con un'alimentazione nominale di 230 V CA/50 hertz.

Le informazioni di carattere tecnico verranno fornite su richiesta esclusivamente al personale tecnico qualificato.

SEZIONE 5—PARAMETRI TIPICI DEL PRODOTTO

	Corrente alternata
	Apparecchio tipo BF
	In funzione
	Non in funzione
	Attenzione - Consultare la documentazione acclusa
	NON fumare
	Classe II, doppio isolamento
IPX1	Protetto contro il gocciolamento di acqua
Requisiti elettrici:	230 V CA \pm 10% (253 V CA/207 V CA), 50 Hz
Corrente nominale in entrata:	1,4 A
Livello acustico:	39,5 dBA in media
Altitudine:	<p>Tutto il Perfecto2 Modella: Fino a 8.000 ft (2438 metri) al di sopra di livello del mare senza la degradazione di livelli di concentrazione. Da 8.000 ft a 13.129 (4000 metri) sotto 90% efficienza.</p> <p>Tutto il Perfecto2 Modella mentre riempiendo un Sistema di HomeFill: Fino a 6.000 ft (1828 metri) al di sopra di livello del mare senza la degradazione di livelli di concentrazione. Da 6.000 ft (1828 metri) a 13.129 ft (4000 metri) sotto 90% efficienza..</p>



SEZIONE 5—PARAMETRI TIPICI DEL PRODOTTO

<p>Livelli di concentrazione dell'erogazione di ossigeno:</p> <p><i>NOTE: I livelli di concentrazione indicati vengono raggiunti dopo un periodo di riscaldamento iniziale (circa 30 minuti).</i></p>	<p>87% a 95,6% a 0,5 - 5 l/min 93% ± 3% a 2 L/min</p>
<p>Pressione massima in uscita:</p>	<p>34,5 kPa ± 3,45 kPa (5 psi ± 0,5 psi)</p>
<p>Velocità di flusso:</p>	<p>Da 0,5 a 5 l/min (max) Per velocità del flusso inferiori a 1 l/min, si raccomanda l'uso dell'accessorio flussometro pediatrico Invacare (IRCPF16AW)</p>
<p>Allarme flusso insufficiente:</p>	<p>Da 0 l/min a 0,5 l/min Bip di allarme sonoro rapido (non sono collegati accessori)</p>
<p>Consumo medio di corrente Consumo:</p>	<p>Perfecto₂AW - 300 W @ 5 L/min, 280 W @ ≤ 3 L/min Perfecto₂VAW - 320 W @ 5 L/min</p>
<p>Meccanismo di regolazione della pressione operativo a:</p>	<p>24 l kPa ± 2,1 kPa (35 psi ± 3,5 psi)</p>
<p>Variazione rispetto al flusso massimo raccomandato quando si applica una contropressione di 7 kPa:</p>	<p>0,7 l/min</p>
<p>Filtri:</p>	<p>Alloggiamento (2), uscita HEPA ed entrata compressore</p>
<p>Sistema di sicurezza:</p>	<p>Sovraccarico di corrente o arresto per sovratensione Arresto del compressore per temperatura elevata Allarme di alta pressione con arresto del compressore Allarme di bassa pressione con arresto del compressore Allarme per perdita di alimentazione senza batterie Allarme di flusso insufficiente del sistema di ossigeno SensO₂ (modello SensO₂)</p>
<p>Larghezza:</p>	<p>38,1 cm ± 1 cm (15 pollici ± 3/8 pollici)</p>
<p>Altezza:</p>	<p>58,4 cm ± 1 cm (23 pollici ± 3/8 pollici)</p>
<p>Profondità:</p>	<p>30,5 cm ± 1 cm (12 pollici ± 3/8 pollici)</p>
<p>Peso:</p>	<p>Perfecto₂AW - 20,5 kg ± 1 kg (45 libbre ± 2 libbre) Perfecto₂VAW - 18,1 kg ± 1 kg (40 libbre ± 2 libbre)</p>


SEZIONE 5—PARAMETRI TIPICI DEL PRODOTTO

Peso di spedizione:	Perfecto ₂ AW - 22.7 kg ± 1 kg (50 libbre ± 2 libbre) Perfecto ₂ VAW - 20.4 kg ± 1 kg (45 libbre ± 2 libbre)
Ambiente operativo Temperatura:	10 °C - 35 °C (50 °F - 90 °F) con 20-60% di umidità relativa
Temperatura aria di raffreddamento di scarico:	Inferiore alla temperatura ambiente +19 °C (+35 °F)
Temperatura di erogazione ossigeno:	Inferiore alla temperatura ambiente + 2°C (+6 °F)
Alloggiamento:	Alloggiamento in plastica antinfiamma resistente agli urti conforme alla norma UL 94-V0
Non AP/APG	Non idoneo all'uso in presenza di una miscela anestetica infiammabile
Standard e norme:	IRC5PO2AW/IRC5PAW/IRC5PO2VAW: IEC/EN61000-3-2 IEC/EN61000-3-3, IEC/EN 60601-1, A1, A2 IEC/EN 60601-1-2 Solo modelli IRC5PO2AW/IRC5PO2VAW: ISO8359 MDD 93/42/CEE, Allegati I e IX
Modelli con marchio CE	IRC5PO2AW & IRC5PO2VAW
Elettricità:	Vietato l'uso di prolunghe
Ubicazione:	Collocare a una distanza minima di 7,5 cm (3 pollici) da pareti, tende o mobili al fine di garantire una circolazione sufficiente dell'aria Evitare tappeti troppo spessi, termosifoni, riscaldatori o altri erogatori d'aria calda Collocare esclusivamente sul pavimento Non collocare in spazi chiusi (es. armadi)
Tubazione:	Cannula da 2 m (7 piedi) con tubo antisciacchiamento di lunghezza massima di 15 m (50 piedi) (NON piegare)
Durata di funzionamento:	Fino a 24 ore al giorno
Temperatura raccomandata di immagazzinamento e di spedizione:	Da -29 °C a 65 °C, con 15-95% di umidità relativa
Ambiente:	Assenza di fumo e di fuliggine Non collocare in spazi chiusi (es. armadi)
Tempo di funzionamento minimo:	30 minuti

SPIE DEL MODELLO IRC5PO2AW & IRC5PO2VAW

SIMBOLO ETICHETTA	PUREZZA OSSIGENO	SPIE LUMINOSE (LED)
O ₂	SISTEMA OK O ₂ oltre 85% (± 2%)	Spia luminosa VERDE
	O ₂ tra 73% (± 3%) e 85% (±2%)	Spia luminosa GIALLA A. GIALLO fisso B. GIALLO lampeggiante Guasto Rivolgersi a un tecnico specializzato.
	ERRORE SISTEMA O ₂ inferiore al 73% (± 3%)	Spia luminosa ROSSA Allarme sonoro continuo Arresto del compressore Sieve-GARD

SPIE DEL MODELLO IRC5PAW

SIMBOLO ETICHETTA	STATO	SPIE LUMINOSE (LED)
I/O	SISTEMA OK	Spia luminosa VERDE
	ERRORE SISTEMA	Spia luminosa ROSSA Allarme sonoro continuo Arresto del compressore Sieve-GARD™ Arresto Rivolgersi a un tecnico specializzato.

SEZIONE 6—ISTRUZIONI PER L'USO

Introduzione

Il concentratore di ossigeno è destinato a un utilizzo individuale. Si tratta di un dispositivo elettronico che separa l'ossigeno dall'aria ambiente fornendo al paziente ossigeno ad alta concentrazione tramite una cannula nasale. Studi clinici hanno dimostrato che i concentratori di ossigeno equivalgono a livello terapeutico ad altri sistemi di erogazione di ossigeno.

Richiedere al proprio rivenditore di effettuare una dimostrazione dell'uso del concentratore E di rispondere ad eventuali domande. Questo manuale per l'utente illustra le caratteristiche del concentratore e se ne raccomanda la consultazione per un utilizzo ottimale dell'apparecchio.

Scelta di una ubicazione

AVVERTENZA

NON bloccare MAI le bocchette dell'aria del concentratore e non posizionarlo mai su una superficie morbida, come un letto o un divano, che possa impedire l'entrata dell'aria. Mantenere le aperture del concentratore libere da ogni eventuale ostruzione (peli, capelli, ecc).

Mantenere l'apparecchio ad almeno 7,5 cm da pareti, tende, mobili, ecc.

Scegliere una camera in cui l'utilizzo del concentratore risulti il più pratico possibile. Il concentratore può essere spostato facilmente da una camera all'altra grazie alle apposite rotelle.

Il concentratore di ossigeno fornisce prestazioni ottimali se utilizzato in presenza delle condizioni dettagliate nei Parametri tipici del prodotto a pagina 78. L'uso in condizioni diverse da quelle descritte può determinare un aumento della manutenzione richiesta. La presa di aria dell'apparecchio deve trovarsi in una zona ben ventilata in modo da evitare vapori e/o sostanze inquinanti sospese nell'aria. NON utilizzarlo in uno sgabuzzino.

Preparazione all'uso

1. Inserire il cavo di alimentazione in una presa elettrica.
2. Connettere l'umidificatore (se prescritto).

⚠ AVVERTENZA

NON superare il livello indicato.

NON invertire le connessioni di entrata ed uscita dell'ossigeno. L'acqua deve fluire dal flacone dell'umidificatore tramite la cannula fino al paziente.

NOTA: Per questa procedura, fare riferimento a FIGURA 6.1 e FIGURA 6.2 a pagina 84 e a FIGURA 6.3 a pagina 85.

1. Rimuovere il tappo del flacone.
2. Riempire l'umidificatore con acqua distillata fino al livello indicato dal fabbricante. Riporre il tappo dell'umidificatore e stringere bene.

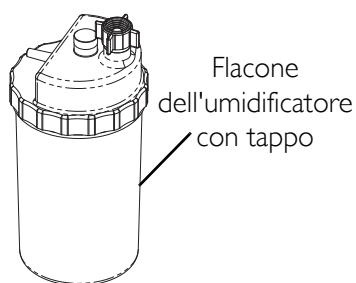


FIGURA 6.1 Riempimento dell'umidificatore

3. Inserire un cacciavite a testa piatta nella scanalatura della piastra sul bordo superiore dello sportello di accesso al filtro e far leva con delicatezza sullo sportello (FIGURA 6.2).
4. Tirare verso l'alto e rimuovere l'adattatore del flacone dell'umidificatore (FIGURA 6.2).
5. Rimettere a posto lo sportello di accesso al filtro e montare su di esso la presa d'aria dinamica inserendo le sei linguette presenti sulla presa nei sei intagli presenti sui lati dello sportello di accesso al filtro.

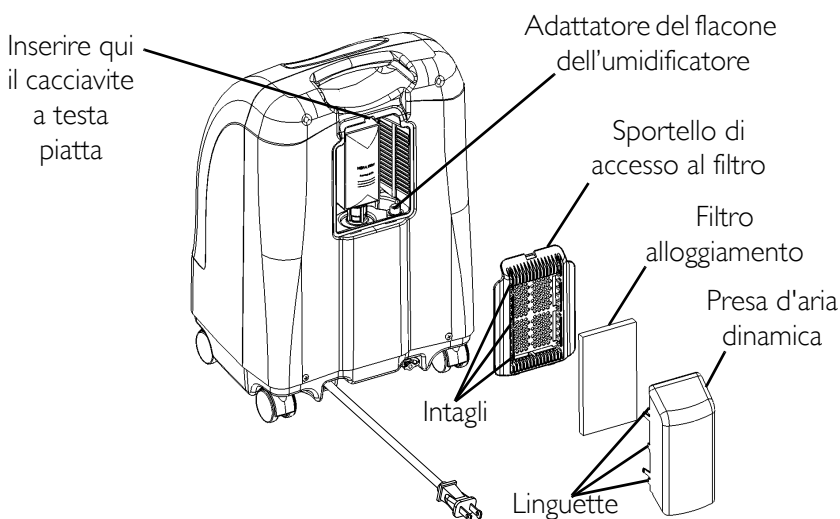
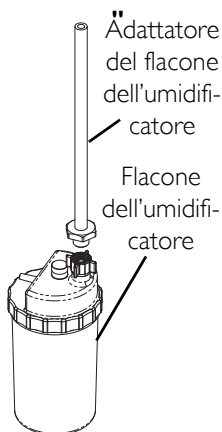


FIGURA 6.2 Adattatore del flacone dell'umidificatore

6. Applicare l'adattatore del flacone dell'umidificatore al flacone stesso ruotando in senso antiorario su di esso il dado ad alette fino a fissarlo saldamente. Vedere il Dettaglio "A" nella FIGURA 6.3.
7. Collocare il gruppo flacone dell'umidificatore/adattatore nello scomparto dell'umidificatore sul concentratore. Vedere il Dettaglio "B" nella FIGURA 6.3.
8. Collegare il tubo dell'ossigeno proveniente da gruppo flacone dell'umidificatore/adattatore al connettore di uscita dell'ossigeno sul concentratore. Vedere il Dettaglio "B" nella FIGURA 6.3.

9. Collegare la cannula/il tubo di erogazione al paziente all'uscita del flacone dell'umidificatore. Vedere il Dettaglio "B" nella FIGURA 6.3.
10. Accertarsi che l'ossigeno passi nella cannula.

DETTAGLIO "A"



DETTAGLIO "B"

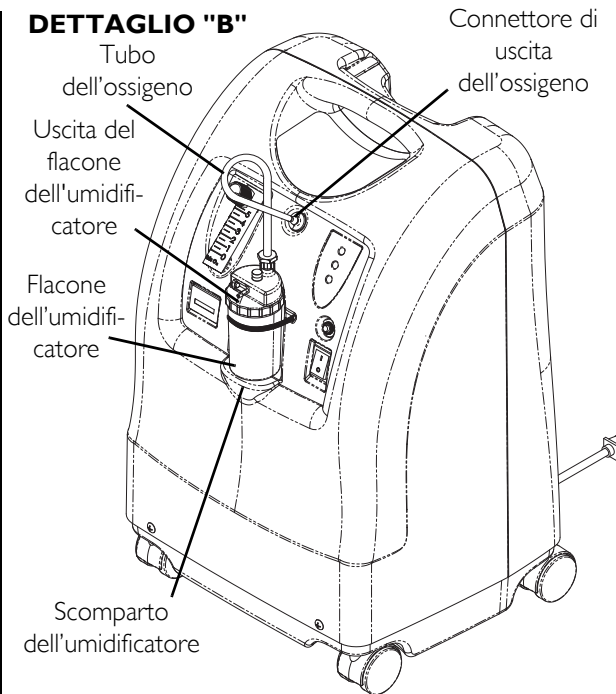


FIGURA 6.3 Scomparto dell'umidificatore

Interruttore di alimentazione

NOTE: Per questa procedura, fare riferimento alla FIGURA 6.4.

1. Posizionare l'interruttore di alimentazione su On. Per un secondo tutte le spie si illuminano e l'allarme acustico risuona per indicare che l'apparecchio funziona correttamente.

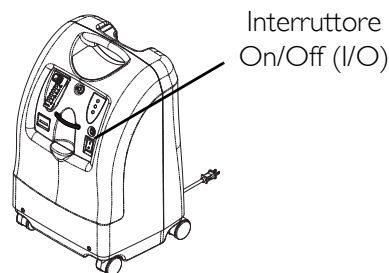


FIGURA 6.4 Interruttore di alimentazione

Velocità di flusso

NOTA: Per questa procedura, fare riferimento alla FIGURA 6.5.

NOTA: Fare attenzione a non regolare l'erogazione al di sopra del livello ROSSO. Una velocità del flusso di ossigeno superiore a 5 l/min comporta una riduzione della concentrazione dell'ossigeno.

1. Ruotare la manopola della velocità di flusso sul valore prescritto dal medico o dal terapeuta.

⚠ AVVERTENZA

NON modificare sul flussometro la regolazione l/min senza prescrizione medica.

NOTA: Per leggere correttamente il flussometro, indentificare la riga della velocità di flusso prescritta. Ruotare quindi la manopola fino a quando la sfera non viene a trovarsi sulla riga. Portare infine la sfera sulla riga l/min desiderata.

2. Se la velocità del flusso scende al di sotto di 0,5 l/min per oltre un minuto, scatta l'allarme di FLUSSO INSUFFICIENTE, costituito da un allarme sonoro a rapida emissione di bip. Controllare che il tubo o altri accessori non siano bloccati o eventualmente piegati e che il flacone dell'umidificatore non sia difettoso. Una volta ripristinato un flusso corretto (superiore a 0,5 l/min), l'allarme sonoro di FLUSSO INSUFFICIENTE scompare.

NOTA: L'uso di determinati accessori come il compressore HomeFill disattiva l'allarme di flusso insufficiente.

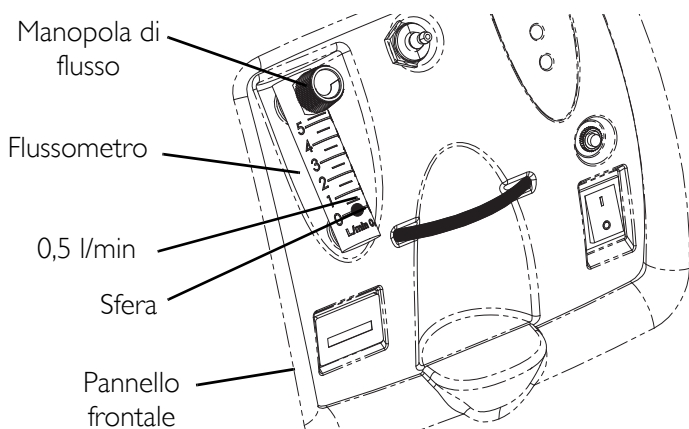


FIGURA 6.5 Velocità di flusso

Indicatore di purezza dell'ossigeno SensO₂ - Modello IRC5PO2AW & IRC5PO2VAW

Questa funzione tiene sotto controllo la purezza dell'ossigeno generato dal concentratore. Se la purezza scende al di sotto del valore prefissato in fabbrica, si illumina un'apposita spia sul quadro di comando.

Avvio iniziale del concentratore

NOTA: il concentratore può essere usato durante il riscaldamento iniziale (30 min circa) mentre si aspetta che la purezza dell' O₂ raggiunga il massimo livello.

Quando si accende l'apparecchio, si illumina la spia verde (SISTEMA OK / O₂ superiore all'85%). Dopo 5 minuti, il sensore dell'ossigeno funziona normalmente e controlla le spie in funzione ai valori di concentrazione di ossigeno.

Spiegazione delle spie luminose di segnalazione della purezza dell'ossigeno - Modello IRC5PO2AW & IRC5PO2VAW

NOTA: Per questa procedura, fare riferimento alla FIGURA 6.6 a pagina 88.

Spia VERDE (O₂) - Funzionamento normale.

Spia GIALLA (⚠) - Chiamare immediatamente il fornitore. Si può continuare ad usare il concentratore salvo istruzioni contrarie del fornitore. Accertarsi di avere a portata di mano dell'ossigeno di emergenza.

Spia ROSSA (⛔) - Arresto totale dell'apparecchio. Passare immediatamente alla fonte di ossigeno di emergenza e chiamare il fornitore.

Spia VERDE - con spia GIALLA lampeggiante - Chiamare immediatamente il fornitore. Sensore dell'ossigeno guasto, ma si può continuare a usare il concentratore.

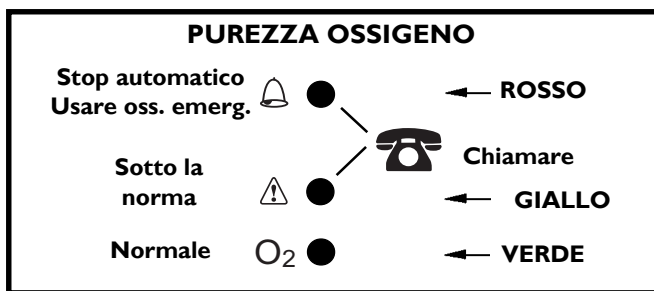


FIGURA 6.6 Spiegazione delle spie luminose di segnalazione della purezza dell'ossigeno - Modello IRC5PO2AW & IRC5PO2VAW

Spiegazione delle spie luminose - Modello IRC5PAW

NOTA: Per questa procedura, fare riferimento alla FIGURA 6.7.

Spiegazione delle spie luminose del modello IRC5PAW

Spia ROSSA (🔔) - Arresto totale dell'apparecchio. Passare immediatamente a una fonte di ossigeno di emergenza e chiamare il fornitore.

Spia VERDE (I/O) - On/Off. Sistema OK.

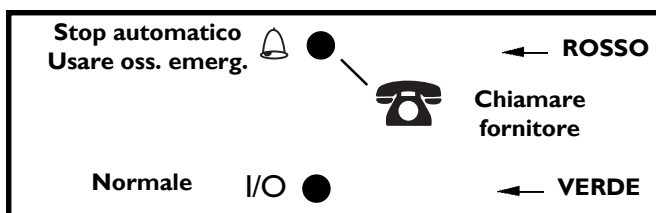


FIGURA 6.7 Spiegazione delle spie luminose - Modello IRC5PAW

Indicatore di tempo trascorso (contaore)

Il contaore visualizza il numero totale di ore di funzionamento dell'apparecchio.

SEZIONE 7—MANUTENZIONE

⚠ AVVERTENZA

I concentratori Invacare sono specificamente progettati per ridurre al minimo gli interventi di manutenzione preventiva di routine. La manutenzione preventiva del concentratore deve essere eseguita esclusivamente da personale qualificato.

Scollegare il concentratore prima di pulirlo. Per evitare scosse elettriche, NON rimuovere l'alloggiamento.

NOTA: La manutenzione preventiva DEVE essere effettuata almeno secondo le linee guida del registro di manutenzione. In sedi di installazione con elevate livelli di polvere o fuliggine, potrebbero essere necessari interventi di manutenzione più frequenti. Fare riferimento Verbale di manutenzione preventiva a pagina 91.

Manutenzione di routine

La seguente manutenzione di routine deve essere eseguita con maggiore frequenza. Vedere gli intervalli raccomandati in ciascuna sezione e Verbale di manutenzione preventiva a pagina 91.

Pulizia del filtro dell'alloggiamento

ATTENZIONE

NON usare il concentratore senza il filtro installato.

NOTA: Per questa procedura, fare riferimento alla FIGURA 7.1 a pagina 90.

NOTA: C'è un filtro ubicato sul retro dell'alloggiamento.

1. Ispezionare il filtro una volta al mese. Rimuoverlo e pulirlo secondo necessità.

NOTA: Le condizioni ambientali che possono rendere necessari intervalli più ravvicinati di ispezione e pulizia del filtro

comprendono, a titolo esemplificativo: forte presenza di polvere, inquinanti atmosferici, ecc.

2. Pulire il filtro dell'alloggiamento con un aspirapolvere o lavarlo con acqua calda saponata e sciacquarlo accuratamente.
3. Asciugare completamente il filtro prima di rimontarlo.

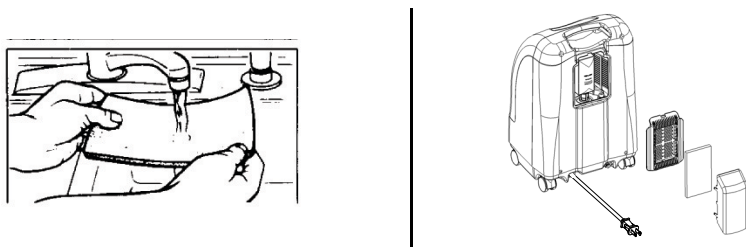


FIGURA 7.1 Pulizia del filtro dell'alloggiamento

Pulizia dell'alloggiamento

1. Pulire l'alloggiamento con un detergente delicato e con un panno o una spugna non abrasiva.

Pulizia dell'umidificatore

NOTA: Per pulire l'umidificatore dell'ossigeno, seguire le istruzioni fornite dal fabbricante o. Se non si dispone delle stesse, procedere come SEGUE:

1. Pulire l'umidificatore ogni giorno.
2. Lavarlo con acqua e sapone e sciacquarlo con una soluzione di dieci parti d'acqua e una di aceto.
3. Sciacquare accuratamente con acqua calda e riempirlo di nuovo con acqua distillata fino al livello indicato sull'umidificatore.

N. MODELLO IRC _____

N. DI SERIE _____



VERBALE DI MANUTENZIONE PREVENTIVA

A OGNI ISPEZIONE		Yes, you can:											
Data dell'intervento													
Registrare le ore trascorse indicate sul contatore													
Pulire i filtri dell'alloggiamento													
Controllare la velocità di flusso prescritta (l/min)													
OGNI 4.380 ORE													
Controllare la concentrazione di ossigeno (UNITA SENZA Senso ₂)													
OGNI 26.280 ORE O OGNI 3 ANNI, QUALUNQUE CONDIZIONE SI VERIFICHI PER PRIMA													
Controllare la concentrazione di ossigeno (UNITA CON Senso ₂)													
DURANTE IL PROGRAMMA DI MANUTENZIONE PREVENTIVA O TRA UN PAZIENTE E L'ALTRO													
Pulire/Sostituire i filtri dell'alloggiamento													
Controllare il filtro di uscita HEPA*													
Controllare il filtro di ingresso del compressore*													
Controllare l'allarme di perdita dell'alimentazione													
SE NECESSARIO													
Pulire lo scambiatore di calore													
Sostituire il silenziatore del sistema di scarico													
Revisionare a fondo il compressore sul lato superiore													

*NOTA: Consultare il capitolo sulla manutenzione preventiva del manuale di assistenza.
 4.380 ore corrispondono ad un uso continuato durante 6 mesi, 7 giorni alla settimana, 24 ore al giorno
 26.280 ore corrispondono ad un uso continuato durante 3 anni, 7 giorni alla settimana, le 24 ore.

FIGURA 7.2 Verbale di manutenzione preventiva

SEZIONE 8—GUIDA ALLA RISOLUZIONE DEI PROBLEMI

SINTOMO:	CAUSA PROBABILE:	SOLUZIONE:
<p>Allarme:</p> <p>Bip brevi con lunga pausa</p> <p>Il concentratore non funziona. Interruttore su On.</p> <p>Bip.....Bip.....</p>	<p>Perdita di corrente:</p> <p>1. Cavo di alimentazione NON inserito.</p> <p>2. Mancanza di corrente sulla presa.</p> <p>3. Interruttore di circuito scattato.</p>	<p>1. Inserire la spina nella presa.</p> <p>2. Ispezionare gli interruttori di circuito e i fusibili. Se il problema si ripresenta, usare una presa diversa.</p> <p>3. Premere/Resettare l'interruttore di circuito. Se il problema si ripete, chiamare la società che fornisce assistenza.</p>
<p>Allarme:</p> <p>Continuo</p> <p>Il concentratore non funziona. Interruttore su On.</p> <p>Bi.....Biip....</p>	<p>Errore sistema:</p> <p>1. Surriscaldamento dovuto a ostruzione sull'entrata dell'aria.</p> <p>2. Corrente insufficiente nella presa.</p> <p>3. Necessaria una riparazione interna.</p>	<p>1a. Rimuovere e pulire i filtri dell'alloggiamento.</p> <p>1b. Collocare il concentratore di ossigeno a una distanza di almeno tre pollici da pareti, tende o mobili.</p> <p>2. NON usare prolunghe. Usare un'altra presa elettrica o un altro circuito.</p> <p>3. Chiamare il servizio di assistenza.</p>

SINTOMO:	CAUSA PROBABILE:	SOLUZIONE:
<p>Spia GIALLA o ROSSA accesa.</p> <p>Allarme: Continuo Solo sulla spia ROSSA.</p> <p>* Riguarda soltanto i modelli IRC5PO2AW & IRC5PO2VAW</p>	<p>1. Scarsa purezza dell'ossigeno*.</p> <p>2. Tubo, cannula o umidificatore schiacciati o bloccati*.</p> <p>3. Flussometro impostato su 0,5 l/min*.</p> <p>4. Surriscaldamento dovuto a ostruzione sull'entrata dell'aria.</p> <p>5. Corrente insufficiente nella presa.</p> <p>6. Necessaria una riparazione interna.</p>	<p>1. Pulire o sostituire i filtri.</p> <p>2. Verificare che non ci siano schiacciamenti o blocchi. Correggere, pulire o sostituire il componente. Spegnerlo per 60 secondi e riaccenderlo.</p> <p>3. Verificare che il flussometro sia impostato su 1 l/min o più. Refer to <u>Parametri tipici del prodotto</u> on page 78.</p> <p>4a. Rimuovere e pulire i filtri dell'alloggiamento. 4b. Collocare il concentratore a una distanza di almeno tre pollici da pareti, tende e mobili.</p> <p>5. NON usare prolunghes. Usare un'altra presa elettrica o un altro circuito.</p> <p>6. Chiamare il servizio di assistenza.</p>
<p>Spia VERDE con spia GIALLA lampeggiante.</p>	<p>1. Necessaria una riparazione interna.</p>	<p>1. Chiamare il servizio di assistenza.</p>
<p>Allarme:</p> <p>Rapido</p> <p>Bip... Bip... Bip... Bip...</p>	<p>ALLARME FLUSSO INSUFFICIENTE</p> <p>1. Tubo, cannula o umidificatore schiacciati o bloccati.</p> <p>2. Flussometro impostato su 0,5 l/min</p>	<p>1. Verificare che non ci siano schiacciamenti o blocchi. Correggere, pulire o sostituire il componente. Spegnerlo per 60 secondi e riaccenderlo.</p> <p>2. Le velocità di flusso inferiori a 1 l/min non sono raccomandate.</p>

SEZIONE 9—ACCESSORI OPZIONALI

Sono disponibili anche i seguenti accessori opzionali:

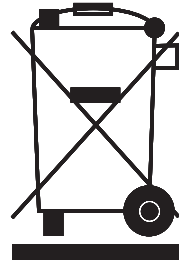
- Cannula nasale standard per adulti, 2,1 m (7 piedi) - M3120
- Umidificatore standard - M5120
- Accessorio flussometro/umidificatore pediatrico PreciseRX™ - IRCPF16AW
- Compressore per ossigeno domiciliare HomeFill - IOH200AW

INFORMAZIONI PER IL RICICLO

Questo prodotto è stato fornito dal fabbricante nel rispetto dell'ambiente e in conformità alla direttiva 2002/96/CE sui rifiuti di apparecchiature elettriche ed elettroniche (RAEE).

Questo prodotto potrebbe contenere delle sostanze nocive all'ambiente se smaltite in maniera non corretta o lasciate in punti di raccolta non appropriati e non conformi a quanto previsto dalla legislazione.

Il simbolo del "contenitore di spazzatura barrato" riportato sul prodotto invita al riciclaggio ovunque sia possibile.



Si invita al rispetto dell'ambiente riciclando il prodotto al termine del ciclo di vita presso apposite strutture di raccolta.

GARANZIA LIMITATA

Belgium & Luxemburg:

Invacare nv, Autobaan 22, B-8210

Loppem

Tel: (32) (0) 50 83 10 10

Fax: (32) (0) 50 83 10 11

belgium@invacare.com

Danmark:

Invacare A/S, Sdr. Ringvej 37, DK-2605

Brøndby

Tel: (45) (0)36 90 00 00

Fax: (45) (0)36 90 00 01

denmark@invacare.com

Deutschland:

Invacare Aquatec GmbH,

Alemannenstraße 10, D-88316 Isny

Tel: (49) (0)75 62 7 00 0

Fax: (49) (0)75 62 7 00 66

info@invacare-aquatec.com

European Distributor Organisation:

Invacare, Kleiststraße 49, D-32457 Porta

Westfalica

Tel: (49) (0)57 31 754 540

Fax: (49) (0)57 31 754 541

edo@invacare.com

España:

Invacare SA, c/Areny s/n, Polígon

Industrial de Celrà, E-17460 Celrà

(Girona)

Tel: (34) (0)972 49 32 00

Fax: (34) (0)972 49 32 20

contactsp@invacare.com

France:

Invacare Poirier SAS, Route de St Roch,

F-37230 Fondettes

Tel: (33) (0)2 47 62 64 66

Fax: (33) (0)2 47 42 12 24

contactfr@invacare.com

Switzerland:

Invacare AG,

Benkenstrasse 260, CH-4108 Witterswil

Tel: (41) (0)61 487 70 80

Fax: (41) (0)61 487 70 81

switzerland@invacare.com

Ireland:

Invacare Ireland Ltd, Unit 5 Seatown

Business Campus,

Seatown Road, Swords, County Dublin

– Ireland

Tel: (353) 1 810 7084

Fax: (353) 1 810 7085

ireland@invacare.com

Italia:

Invacare Mecc San s.r.l., Via dei Pini 62,

I-36016 Thiene (VI)

Tel: (39) 0445 38 00 59

Fax: (39) 0445 38 00 34

italia@invacare.com

Nederland:

Invacare BV, Celsiusstraat 46, NL-6716

BZ Ede

Tel: (31) (0)318 695 757

Fax: (31) (0)318 695 758

nederland@invacare.com

csede@invacare.com

Norge:

Invacare AS, Grensesvingen 9, Postboks

6230, Etterstad, N-0603 Oslo

Tel: (47) (0)22 57 95 00

Fax: (47) (0)22 57 95 01

norway@invacare.com

island@invacare.com

Österreich:

Invacare Austria GmbH, Herzog

Odilostrasse 101, A-5310 Mondsee

Tel: (43) 6232 5535 0

Fax: (43) 6232 5535 4

info@invacare-austria.com

Sverige & Suomi:

Invacare AB, Fagerstagatan 9,

S-163 91 Spånga

Tel: (46) (0)8 761 70 90

Fax: (46) (0)8 761 81 08

sweden@invacare.com

finland@invacare.com

United Kingdom:

Invacare Limited, Pencoed Technology

Park, Pencoed, Bridgend CF35 5HZ

Tel: (44) (0) 1656 776200

Fax: (44) (0) 1656 776201

Customer Services:

Tel: (44) (0) 1656 776222

Fax: (44) (0) 1656 776220

UK@invacare.com

Portugal:

Invacare Lda,

Rua Estrada Velha, 949, P-4465-784 Leça

do Balio

Tel: (351) (0)225 1059 46/47

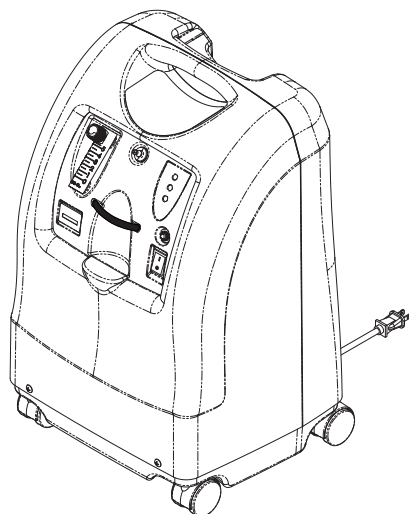
Fax: (351) (0)225 1057 39

portugal@invacare.com

Manual de operación

Serie Perfecto₂TM

Concentradores de oxígeno sin SensO₂[®],
Concentradores de oxígeno con SensO₂[®]
Compatible con HomeFill[®]



Modelo IRC5PO2AW
Modelo IRC5PO2VAW

Modelo IRC5PAW

Distribuidor: Este manual DEBE ser entregado al usuario final.

Usuario: ANTES de usar este producto lea este manual y guárdelo para futuras referencias.

Para mayor información respecto a los productos, piezas y servicios de Invacare rogamos visite la página Web www.invacare.com



Yes, you can.[®]

ADVERTENCIA

NO use este producto ni ningún equipo opcional sin haber leído y comprendido primero en su totalidad estas instrucciones y cualquier otro material informativo tales como manuales de propietario, manuales de servicio y Hojas de Instrucciones suministrados con este producto o con los equipos opcionales. Si no puede comprender las advertencias, precauciones o instrucciones, póngase en contacto con un profesional sanitario, distribuidor o personal técnico antes de intentar utilizar este equipo, de lo contrario, puede causarse lesiones o daños.

ADVERTENCIA DE ACCESORIOS

Los productos de Invacare están diseñados y fabricados específicamente para uso en conjunto con accesorios de Invacare. Invacare no ha testado aquellos accesorios fabricados por otros fabricantes y no recomienda su uso con los productos Invacare.

ACCESORIOS

Existen diferentes tipos de humidificadores, tuberías de oxígeno, cánulas y máscaras que pueden utilizarse con este dispositivo. Debe ponerse en contacto con su proveedor local de productos para atención en el hogar para obtener recomendaciones sobre cuál de estos dispositivos será mejor para sus necesidades. Deben darle también consejos sobre el uso, mantenimiento y limpieza apropiados.

NOTA: Las versiones actualizadas de este manual se pueden encontrar en www.invacare.com.

CONTENIDOS

ACCESORIOS	98
NOTAS ESPECIALES	100
UBICACIÓN DE LAS ETIQUETAS	102
SECCIÓN 1—INSTRUCCIONES GENERALES	103
Información sobre funcionamiento	104
Interferencias por radiofrecuencia	105
SECCIÓN 2—CARACTERÍSTICAS	106
SECCIÓN 3—MANEJO	107
Desembalaje	107
Inspección	107
Almacenamiento	107
SECCIÓN 4—DESCRIPCIÓN TÉCNICA	108
SECCIÓN 5—PARÁMETROS HABITUALES DEL PRODUCTO	109
SECCIÓN 6—INSTRUCCIONES DE UTILIZACIÓN	113
Introducción	113
Seleccione una ubicación	113
Instalación.....	114
Interruptor de alimentación de energía.....	116
Medidor de flujo.....	117
Indicador de pureza de oxígeno SensO2 - Modelo IRC5PO2AW & IRCPO2VAW.....	118
Arranque inicial del concentrador.....	119
Explicación de las luces del indicador - Modelo IRC5PAW..	120
Medidor de tiempo transcurrido (Contador horario).....	120
SECCIÓN 7—MANTENIMIENTO	121
Mantenimiento rutinario.....	121
SECCIÓN 8—GUÍA DE PROBLEMAS	124
SECCIÓN 9—ACCESORIOS OPCIONALES	126
INFORMACIÓN SOBRE RECICLAJE	127
GARANTÍA LIMITADA	128

NOTAS ESPECIALES

En este manual se emplean palabras de señalización y se aplican a riesgos o a prácticas poco seguras que pueden provocar lesiones personales o daños a la propiedad. Consulte la tabla siguiente para obtener las definiciones de las palabras de señalización.

PALABRA DE SEÑALIZACIÓN	SIGNIFICADO
PELIGRO	Peligro indica una situación inminente y peligrosa que, si no se evita, provocará la muerte o lesiones serias.
ADVERTENCIA	Advertencia indica una situación potencialmente peligrosa que, si no se evita, puede provocar la muerte o lesiones graves.
PRECAUCIÓN	Precaución indica una situación de riesgo potencial que, si no se evita, puede provocar daños en la propiedad o lesiones leves o ambas.

AVISO

La información contenida en este documento esta sujeta a cambios sin previo aviso.

PELIGRO

Los usuarios **NO DEBEN FUMAR** mientras utilizan este dispositivo. Mantenga las cerillas, cigarrillos encendidos u otras fuentes de ignición fuera de la habitación en la que se encuentre este producto y alejado de cualquier lugar donde se esté suministrando oxígeno.

Se deben mostrar signos visibles de **PROHIBIDO FUMAR**. Los materiales textiles y de otra clase que normalmente no se quemarían comienzan a arder con facilidad y gran intensidad en aire saturado de oxígeno. Si no se cumple esta advertencia, es posible causar un gran incendio, daños a la propiedad y lesiones físicas o la muerte.

PRECAUCIÓN

“Precaución: La legislación puede restringir la venta de este dispositivo exclusivamente por un médico o bajo orden facultativa, o por cualquier otro profesional con licencia por las leyes del estado en el cual éste realiza su actividad, para usar o pedir el uso de este dispositivo.”

Invacare recomienda una fuente de oxígeno suplementaria alternativa en el caso de cortes de suministro eléctrico, condiciones de alarma o fallo mecánico. Consulte con su facultativo o proveedor de servicios respecto al tipo de sistema de reserva que requiera.

Este equipo debe emplearse como un suplemento de oxígeno y no se considera un dispositivo de soporte vital.

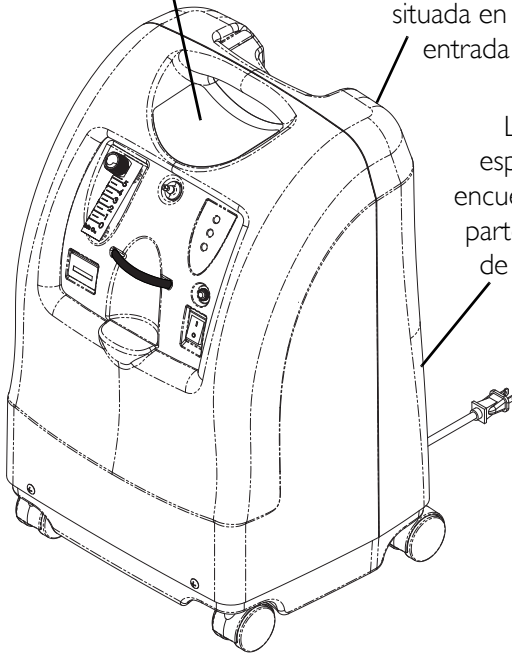
UBICACIÓN DE LAS ETIQUETAS

Perfecto₂[™]

PARA LAS INSTRUCCIONES DE FUNCIONAMIENTO O ALARMAS (Véase el Manual de usuario)

- ⚠ PELIGRO – RIESGO DE INCENDIO
NO FUMAR - Mantenga TODAS las fuentes de ignición alejadas de la habitación en la que se encuentre ubicado este producto así como de las zonas donde se suministre oxígeno. Los textiles, aceites y otros combustibles se encienden y se queman con facilidad y con gran intensidad en aire enriquecido con oxígeno.
- ⚠ PELIGRO – DESCARGA ELÉCTRICA
NO retire la cubierta. Para su reparación remítase al personal de servicio cualificado.
- ⚠ Los flujos inferiores a 0.5 U/min activarán la Alarma de Bajo Flujo (alarma rápida audible).
- ⚠ Sitúe el medidor de flujo a 2.5 U/min o menos cuando llene los cilindros HomeFill[®].

HomeFill[®]
Compatible



La etiqueta con el número de serie se encuentra situada en el montaje de la entrada del resonador

La etiqueta de especificaciones se encuentra situada en la parte posterior cerca de la parte inferior

SECCIÓN I—INSTRUCCIONES GENERALES

Para asegurar una instalación, montaje y operación seguros del concentrador Perfecto₂, DEBEN seguirse estas instrucciones.

⚠ ADVERTENCIA

Esta sección contiene información importante para el funcionamiento y uso seguro de este producto.

⚠ PELIGRO

Riesgo de descarga eléctrica **NO** lo desmonte. Para su reparación remítase al personal de servicio cualificado. No contiene piezas reutilizables

PARA REDUCIR EL RIESGO DE QUEMADURAS, ELECTROCUCIÓN, FUEGO O LESIONES A PERSONAS.

Evite usarlo mientras se baña. Si es necesario su uso continuado por prescripción facultativa, el concentrador **DEBE** ubicarse en otra habitación situada al menos a 2.5 mt del baño.

NO entre en contacto con el concentrador mientras esté húmedo.

NO coloque o guarde el producto donde pueda caerse de forma accidental en el agua u otros líquidos.

NO intente alcanzar el producto si éste ha caído al agua. **Desconéctelo** de forma **INMEDIATA**.

En caso de que el concentrador presentase daños en el cable de alimentación o enchufe macho, o que no funcione correctamente si hubiese caído accidentalmente o presentase daños, o hubiese sido sumergido en agua, contacte con un técnico cualificado para su examen y reparación.

⚠ PELIGRO

Si el aceite, grasa o sustancias oleaginosas entran en contacto con el oxígeno bajo presión puede producir una ignición espontánea y violenta. Estas sustancias **DEBEN** mantenerse alejadas del concentrador, tubos y conexiones, así como cualquier otro equipo de oxígeno. **NO** emplee ningún lubricante salvo los recomendados por Invacare.

Evite la creación de cualquier chispa cerca de equipos médicos de oxígeno. Esto incluye chispas producidas por electricidad estática provocadas por cualquier tipo de fricción.

Información sobre funcionamiento

Para obtener un óptimo rendimiento, Invacare recomienda que cada concentrador esté encendido y funcionando al menos 30 minutos continuos. Períodos de uso más breves pueden reducir la vida útil máxima del producto.

Mantenga los tubos de oxígeno, cable y la unidad alejados de elementos como mantas, cubrecamas, cojines, ropa y de superficies cálidas o calientes, incluyendo calentadores, estufas y electrodomésticos similares.

NO mueva o reubique el concentrador tirando del cable de alimentación.

NUNCA deje caer o inserte ningún objeto o líquido en ninguna abertura.

Invacare recomienda que se empleen tubos de oxígeno a prueba de doblamientos con este producto y que no excedan de 15.2 m de longitud.

No contiene piezas reutilizables. Esto no incluye los elementos de mantenimiento normales. Véase la sección de mantenimiento para los piezas de mantenimiento.

NUNCA se debe dejar un producto sin vigilar cuando esté conectado a la corriente eléctrica. Asegúrese que Perfecto₂ está apagado cuando no se use.

Es necesaria una supervisión cercana cuando este producto se emplea cerca de niños o individuos con limitaciones físicas.

Puede que sea necesario un seguimiento o atención adicional para aquellos pacientes que emplee este dispositivo y que no puedan oír o ver alarmas o comunicar molestias.

NO conecte el concentrador en paralelo o en serie con otros concentradores de oxígeno o dispositivos terapéuticos de oxígeno.

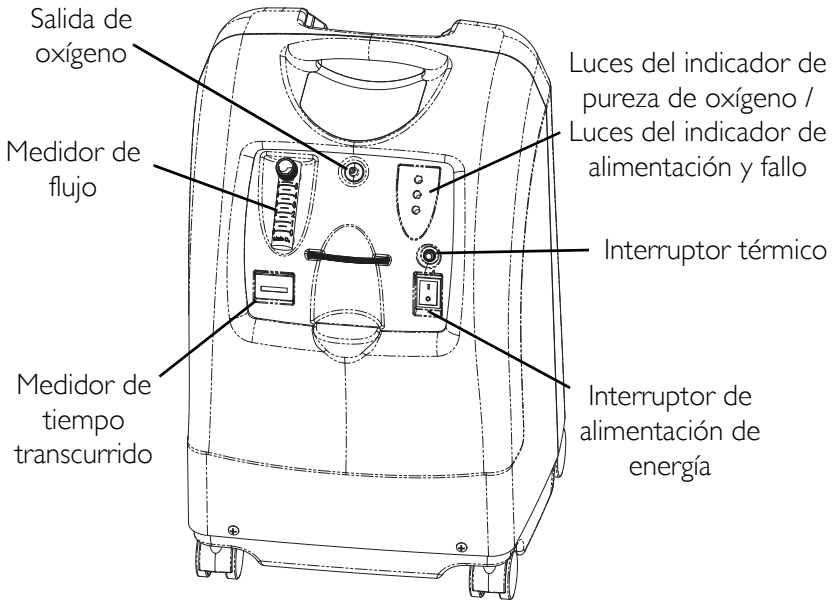
Interferencias por radiofrecuencia

Se ha testado este equipo y se ha comprobado que cumple con los límites EMC especificados en IEC/EN 60601-1-2. Estos límites están diseñados para ofrecer una protección razonable frente a la interferencia electromagnética en una instalación médica típica.

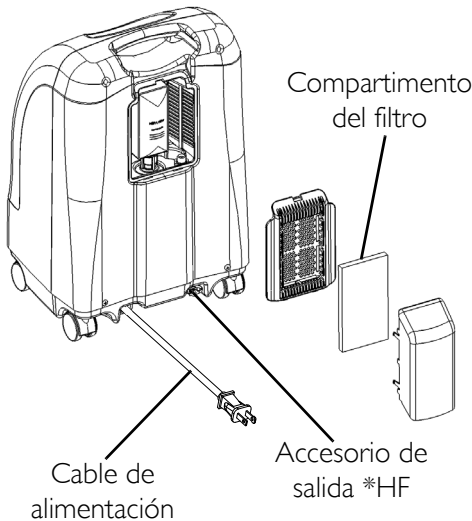
Otros dispositivos pueden experimentar interferencias desde incluso los niveles más bajos de emisiones electromagnéticas permitidas por los estándares arriba indicados. Para determinar si las emisiones de Perfecto₂ provocan interferencias, apague Perfecto₂. Si se detiene la interferencia con otros dispositivos, entonces, Perfecto₂ está provocando la interferencia. Estas situaciones raras, la interferencia se puede reducir o corregir, siguiendo una las siguientes instrucciones:

- Reubique, recolocque o aumente la separación entre los equipos.
- Conecte el equipo a una salida de un circuito diferente al que el otro dispositivo esté conectado.

SECCIÓN 2—CARACTERÍSTICAS



VISTA POSTERIOR



**NOTA: Este accesorio de salida se emplea únicamente para el llenado de los cilindros de oxígeno con el compresor de oxígeno casero HomeFill. El accesorio de salida no afecta al funcionamiento del compresor. Remítase al manual de propietario de HomeFill, número de pieza 1145805, para obtener más información sobre la conexión y las instrucciones de funcionamiento. Cuando no se emplee, la toma que se adjunta con el concentrador debe insertarse en el accesorio de salida. Para obtener más información sobre HomeFill, póngase en contacto con el distribuidor de Invoacare.*

SECCIÓN 3—MANEJO

El concentrador SIEMPRE debe mantenerse en posición vertical para no dañar la caja durante su transporte.

Si el concentrador va a volver a trasladarse mediante una empresa de mensajería, Invacare pone a su disposición cartones adicionales.

Desembalaje

NOTA: Para este procedimiento, consulte a FIGURA 3.1.

1. Compruebe cualquier daño obvio en el cartón o sus contenidos. Si el daño es evidente, notifíquelo a la empresa de transporte o a su distribuidor local.
2. Retire todo el embalaje suelto de los cartones.
3. Retire con cuidado todos los componentes del cartón.

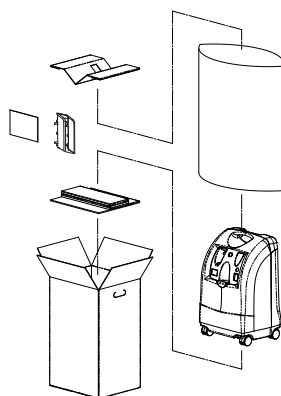


FIGURA 3.1 Desembalaje

NOTA: Salvo que el concentrador de oxígeno vaya a emplearse de FORMA INMEDIATA, deje el concentrador en su embalaje para su almacenamiento hasta que se requiera el uso del concentrador.

Inspección

1. Inspecciones / examine el exterior del concentrador de oxígeno en busca de rasguños, abolladuras, arañazos u otros daños. Inspeccione todos los componentes.

Almacenamiento

1. Guarde el concentrador de oxígeno reembalado en una zona seca.
2. NO coloque objetos sobre la parte superior del concentrador reembalado.

SECCIÓN 4—DESCRIPCIÓN TÉCNICA

El concentrador Perfecto₂ de Invacare se usa en pacientes con desórdenes respiratorios que requieren oxígeno suplementario. Este dispositivo no está indicado como soporte vital.








El nivel de concentración de oxígeno de la salida de gas varía desde el 87% al 95.6%. El oxígeno se suministra al paciente a través del uso de una cánula nasal.

El concentrador Perfecto₂ de Invacare usa una rejilla molecular y una metodología de absorción y desvío para producir la salida de gas oxígeno. El aire ambiental entra en el dispositivo, se filtra y posteriormente se comprime. Este aire comprimido posteriormente se direcciona hacia uno de los dos tamices que absorben el nitrógeno. El oxígeno concentrado sale por el extremo opuesto del depósito del tamiz y se direcciona a una reserva de oxígeno que se suministra al paciente.

El concentrador Perfecto₂ de Invacare puede ser puesto en operación por paciente en su hogar o en un entorno institucional. El dispositivo funciona a una alimentación nominal de 230 VAC/50 Hertzios.

Tiene a su disposición información sobre el servicio previa solicitud por parte de únicamente personal técnico cualificado.

SECCIÓN 5—PARÁMETROS HABITUALES DEL PRODUCTO

	Corriente alterna
	Equipo tipo BF
	Unidad en funcionamiento
	Unidad fuera de funcionamiento
	Atención - Considerar los documentos que se adjuntan
	NO fumar
	Doble aislante, Clase II
IPX1	Protegido frente a goteos de agua
Requerimientos eléctricos:	230 VAC \pm 10% (253 VAC/207 VAC), 50 Hz
Entrada nominal de corriente:	1.4 A
Nivel de sonido:	39.5 dBA media
Altitud:	<p>Todos los Modelos Perfecto2: Hasta 8.000 p (2438 metros) sobre el nivel del mar sin degradación de niveles de concentración. De 8.000 p a 13.129 (4000 metros) debajo de 90% de eficiencia.</p> <p>Todos los Modelos Perfecto2 al llenar un Sistema de HomeFill: Hasta 6.000 p (1828 metros) sobre el nivel del mar sin degradación de niveles de concentración. De 6.000 p (1828 metros) a 13.129 p (4000 metros) debajo de 90% de eficiencia</p>

SECCIÓN 5—PARÁMETROS HABITUALES DEL PRODUCTO

Niveles de concentración de salida de oxígeno:	87% a 95.6% a 0.5 hasta 5 L/min 93% ± 3% at 2 L/min
<i>NOTA: Los niveles de concentración indicados se alcanzan tras el periodo inicial de calentamiento (aproximadamente 30 minutos)</i>	
Presión de salida máxima:	34.5 kPa ± 3.45 kPa (5 psi ± 0.5 psi)
Zona de flujo:	0.5 a 5 L/min (máximo) Para caudales inferiores a 1 L/min, recomendamos el uso del accesorio Medidor de Flujo Pediátrico Invacare (IRCPFI6AW)
Alarma de bajo flujo:	0 L/min a 0.5 L/min Pitido de alarma audible rápido (No hay accesorios conectados)
Alimentación media Consumo:	Perfecto ₂ AW - 300 W @ 5 L/min, 280 W @ ≤ 3 L/min Perfecto ₂ VAW - 320 W @ 5 L/min
Mecanismo de liberación de presión operativo a:	24.1 kPa ± 24.1 kPa (35 psi ± 3.5 psi)
Cambio en el flujo máximo recomendado cuando se aplica una presión de aspiración de 7kPa:	0.7 L/min
Filtros:	Carcasa, Salida HEPA y entrada del compresor
Sistema de seguridad:	Sobrecarga de corriente o bloqueo por sobretensión Bloqueo por alta temperatura del compresor Alarma de alta presión con bloqueo del compresor Alarma de baja presión con bloqueo del compresor Alarma de pérdida de alimentación de la batería Alarma de bajo flujo del sistema de oxígeno SensO ₂ (Modelo SensO ₂)
Anchura:	38.1 cm ± 1 cm (15 in ± 3/8 in)
Altura:	58.4 cm ± 1 cm (23 in ± 3/8 in)
Profundidad:	30.5 cm ± 1 cm (12 in ± 3/8 in)



SECCIÓN 5—PARÁMETROS HABITUALES DEL PRODUCTO

Peso:	Perfecto ₂ AW Modelo - 20.5 kg ± 1 kg (45 lbs ± 2 lbs) Perfecto ₂ VAW Modelo - 18.1 kg ± 1 kg (40 lbs ± 2 lbs)
Peso con embalaje:	Perfecto ₂ AW Modelo - 22.7 kg ± 1 kg (50 lbs ± 2 lbs) Perfecto ₂ VAW Modelo - 20.4 kg ± 1 kg (45 lbs ± 2 lbs)
Ambiente operativo Temperatura:	10°C - 35°C (50°F - 95°F) al 20-60% de humedad relativa
Temperatura del salida de refrigeración de aire:	Inferior a temperatura ambiente +19°C (+ 35°F)
Temperatura de salida del oxígeno:	Inferior a temperatura ambiente +3°C (+ 6°F)
Carcasa:	Carcasa de plástico retardante frente a las llamas y resistente a impactos que cumple con UL 94-V0
Sin AP/APG	No es adecuada para su uso en presencia de mezclas anestésicas inflamables
Listado normativo y estándar:	IRC5PO2AW/IRC5PAW/IRC5PO2VAW: IEC/EN 60601-1, A1, A2 IEC/EN 60601-1-2 IEC/EN61000-3-2 IEC/EN61000-3-3 Sólo para modelos IRC5PO2AW/IRC5PO2VAW: ISO8359 MDD 93/42/EEC, Anexo I y IX
Modelo con el marcado CE	IRC5PO2AW & IRC5PO2VAW
Eléctrica:	Sin cables de extensión
Ubicación:	No más cerca de 7.5 cm de paredes, mobiliario, cortinas o muebles para asegurar un flujo de aire suficiente Evite grandes cantidades de alfombras y calentadores, radiadores y registros de aire caliente Únicamente para ubicación en el suelo No emplear en espacios confinados (por ejemplo: no emplear en armarios)
Tubos:	2m de cánula con un tubo antiplastamiento de 15 m (NO apretar)
Duración de funcionamiento:	Hasta 24 horas al día


SECCIÓN 5—PARÁMETROS HABITUALES DEL PRODUCTO

Temperatura recomendada de almacenamiento y transporte:	-29°C a 65°C (-20°F a 150°F) a 15-95% de humedad relativa
Entorno:	Libre de hollín y humos No emplear en espacios confinados (por ejemplo: no emplear en armarios)
Tiempo operativo mínimo:	30 minutos

INDICADORES IRC5PO2AW & IRCPO2VAW

SÍMBOLO EN LA ETIQUETA	PUREZA DEL O ₂	LUCES INDICADORAS (LED)
O ₂	SISTEMA OK O ₂ por encima del 85% (± 2%)	Luz indicadora VERDE
	O ₂ entre 73 % (± 3 %) y 85 % (±2 %)	Luz indicadora AMARILLA A. AMARILLO sólido B Sensor AMARILLO parpadeando Fallo Llame a un técnico cualificado.
	FALLO DEL SISTEMA O ₂ por debajo del 73% (±3%)	Luz indicadora ROJA Bloqueo del compresor Sieve-GARD con alarma audible continua

INDICADORES IRC5PAW

SÍMBOLO EN LA ETIQUETA	ESTADO	LUCES INDICADORAS (LED)
I/O	SISTEMA OK	Luz indicadora VERDE
	FALLO DEL SISTEMA	Luz indicadora ROJA Compresor Sieve-GARD™ con alarma audible continua Bloqueo Llame a un técnico cualificado.

SECCIÓN 6—INSTRUCCIONES DE UTILIZACIÓN

Introducción

El concentrador de oxígeno está indicado para uso individual. Se trata de un dispositivo que funciona de forma electrónica y que separa el oxígeno del aire de la habitación. Le ofrece directamente altas concentraciones de oxígeno a través de una cánula nasal. Los estudios clínicos han documentado que los concentradores de oxígeno son equivalentes terapéuticamente a otros sistemas de suministro de oxígeno.

Su proveedor le enseñara cómo utilizar el concentrador de oxígeno. Debe ponerse en contacto con él si tiene cualquier pregunta o problema respecto al concentrador de oxígeno. Este manual de propietario le informará sobre su concentrador y le servirá como referencia para su utilización.

Seleccione una ubicación

ADVERTENCIA

NUNCA bloquee las aberturas de aire del producto o lo coloque en una superficie suave, como una cama o un diván donde éstas puedan bloquearse. Mantenga las aberturas libres de pelusa, pelos y similares.

Mantenga la unidad alejada al menos 7.5 cm de paredes, cortinas, muebles o similares.

Puede seleccionar la habitación de su hogar donde sea más conveniente la utilización del concentrador de oxígeno. El concentrador se puede mover con facilidad empleando sus ruedecillas.

El concentrador de oxígeno funcionará mejor cuando se maneje siguiendo las condiciones que se describen en el Parámetros habituales del producto en la página 109. El uso en entornos que no sean los descritos puede provocar la necesidad de realizar un mayor mantenimiento al equipo. La entrada de aire de la unidad debe estar ubicada en una zona con buena ventilación para evitar contaminantes aéreos y/o humos. NO lo utilice en un armario.

Instalación

1. Conecte el cable de alimentación a una toma eléctrica.
2. Conecte el humidificador (en caso de que lo tuviera prescrito)

⚠ ADVERTENCIA

NO llene demasiado el humidificador.

NO invierta la entrada de oxígeno y las conexiones de salida. El agua de la botella del humidificador viajará a través de la cánula de vuelta al paciente.

NOTA: Para este procedimiento, consulte a FIGURA 6.1, FIGURA 6.2 en la página 115, FIGURA 6.3 en la página 116.

1. Retire el tapón de la botella.
2. Llene el humidificador con agua destilada hasta el nivel que indica el fabricante. Vuelva a colocar el tapón del humidificador y ajústelo completamente.



FIGURA 6.1 Llenado del humidificador

3. Inserte un destornillador de cabeza plana en la ranura de la placa situada en el borde superior de la puerta de acceso al filtro y suavemente cierre la puerta de acceso al filtro (FIGURA 6.2).
4. Extraiga y retire el adaptador de la botella del humidificador (FIGURA 6.2).
5. Sustituya la puerta de acceso al filtro e instale la toma de aire en la puerta de acceso al filtro insertando las seis lengüetas de la toma de aire en las seis ranuras de los laterales de la puerta de acceso al filtro.

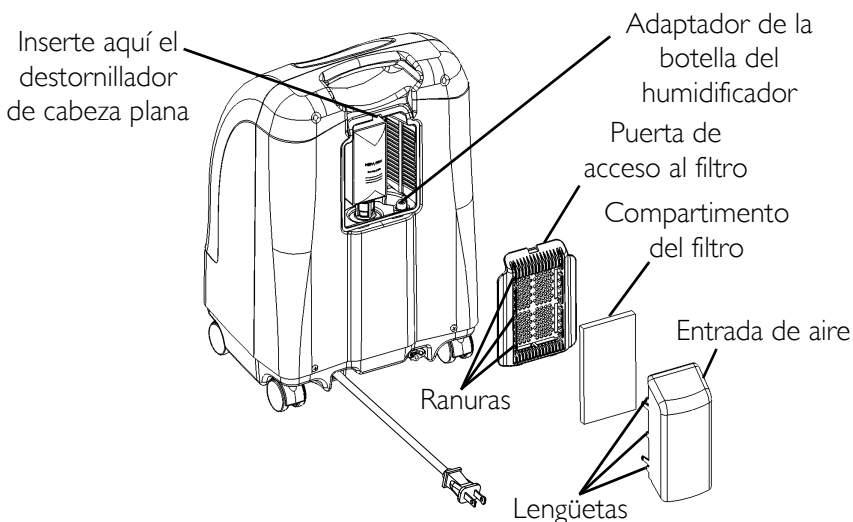


FIGURA 6.2 Adaptador de la botella del humidificador

6. Fije el adaptador de la botella del humidificador a la misma girando la tuerca de la botella del humidificador en el sentido contrario a las agujas del reloj hasta que se cierre de forma segura. Véase Detalle "A" en FIGURA 6.3.
7. Fije el adaptador / botella del humidificador al conector de la salida de oxígeno del concentrador. Véase Detalle "B" en FIGURA 6.3.

8. Fije los tubos de oxígeno desde el adaptador / botella del humidificador al conector de la salida de oxígeno del concentrador. Véase Detalle "B" en FIGURA 6.3.
9. Fije el tubo de suministro de la cánula / paciente a la salida de la botella del humidificador. Véase Detalle "B" en FIGURA 6.3.
10. Tras el montaje, asegúrese que el oxígeno fluye a través de la cánula.

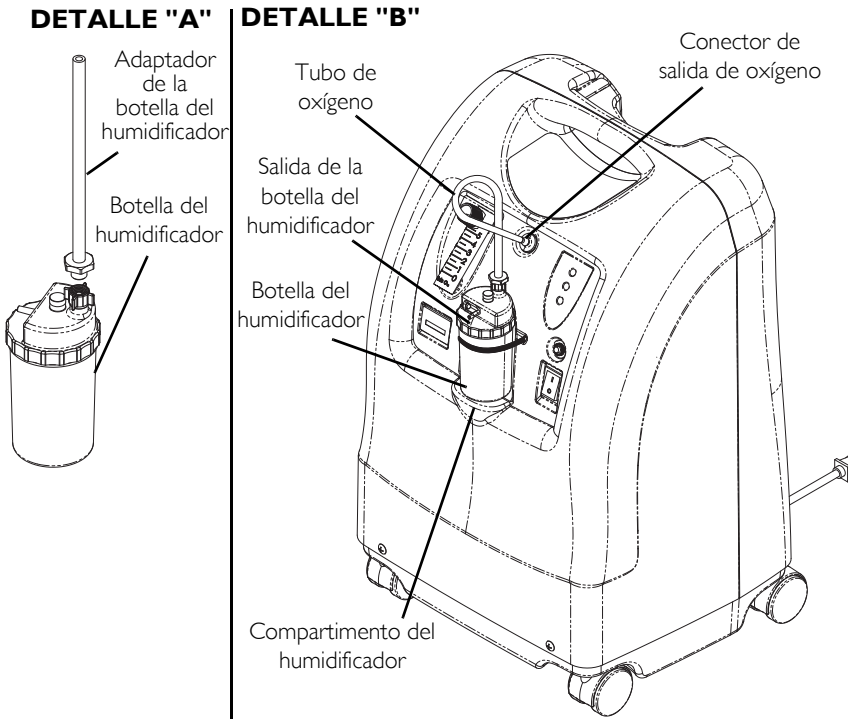


FIGURA 6.3 Compartimento del humidificador

Interruptor de alimentación de energía

NOTA: Para este procedimiento, referase a FIGURA 6.4.

1. Pulse el interruptor de alimentación en la posición On. Todas las luces del panel y la alarma audible se encenderán durante un segundo, indicando que la unidad funciona adecuadamente.

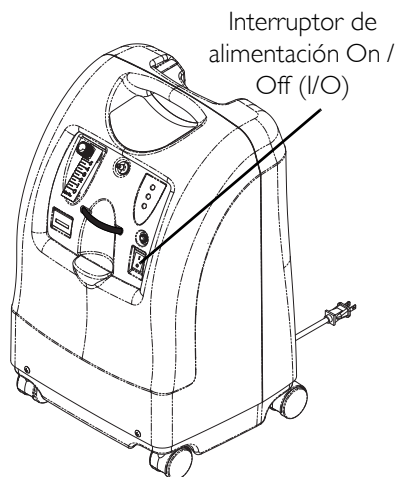


FIGURA 6.4 Interruptor de alimentación de energía

Medidor de flujo

NOTA: Para este procedimiento, refiérase a FIGURA 6.5.

NOTA: Tenga cuidado en no situar el flujo por encima del anillo ROJO. Un flujo de oxígeno superior a 5 l/min disminuirá la concentración de oxígeno.

1. Gire el botón del medidor de flujo hasta alcanzar al ajuste recetado por su facultativo o terapeuta.

⚠ ADVERTENCIA

NO cambie el ajuste de L/min del medidor de flujo salvo que este cambio se lo haya recetado su facultativo o terapeuta.

NOTA: Para leer adecuadamente el medidor de flujo, localice la línea de flujo recetada en el medidor de flujo. Posteriormente, gire el botón de flujo hasta que la bola se eleve hasta la línea. Ahora, centre la bola en la línea de L/min recetada.

- Si el flujo que aparece en el medidor de flujo cae por debajo de 0.5 L/min durante más de un minuto, se activará la alarma de BAJO FLUJO. Se trata de un pitido rápido de alarma sonora. Compruebe los tubos o accesorios en busca de tubos bloqueados o doblados o una botella del humidificador defectuosa. Una vez que se haya restaurado el flujo a más de 0.5 L/min se apagará la alarma audible de BAJO FLUJO.

NOTA: El uso de algunos accesorios como la base para flujos pediátricos y el compresor HomeFill desactivarán la alarma de Bajo Flujo.

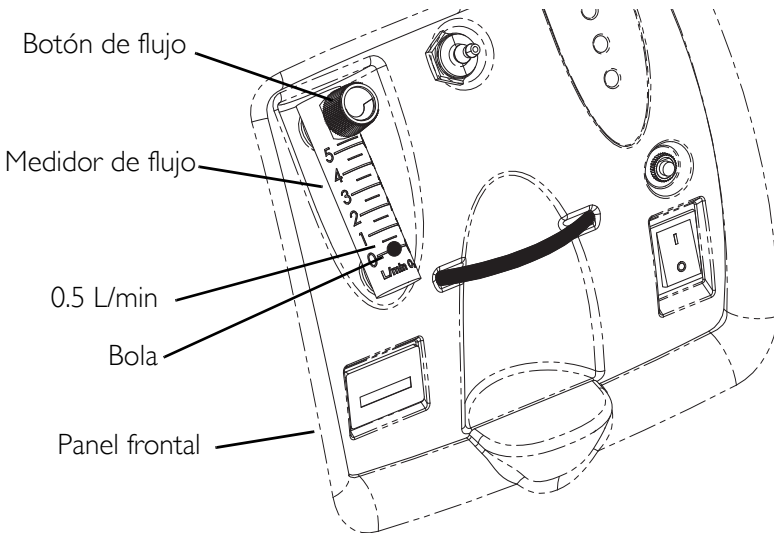


FIGURA 6.5 Medidor de flujo

Indicador de pureza de oxígeno SensO₂ - Modelo IRC5PO2AW & IRCPO2VAW

Esta propiedad monitoriza la pureza del oxígeno generado por el concentrador de oxígeno. Si la pureza cae por debajo de los estándares preestablecidos en fábrica, las luces del indicador del panel de control se iluminarán.

Arranque inicial del concentrador

NOTA: Se puede emplear el concentrador durante el tiempo de calentamiento de arranque inicial (aproximadamente 30 minutos) mientras se espera que la pureza del O₂ alcance el máximo.

Mientras la unidad se encuentra encendida, la luz VERDE permanecerá conectada (SISTEMA OK / O₂ superior al 85%).

Tras cinco minutos, el sensor de oxígeno funcionará normalmente y controlará las luces del indicador dependiendo de los valores de concentración de oxígeno.

Explicación de las luces del indicador de pureza del oxígeno - Modelo IRC5PO2AW & IRCPO2VAW

NOTA: Para este procedimiento, refierase a FIGURA 6.6 en la página 119.

Luz VERDE (O₂) - Funcionamiento normal.

Luz AMARILLA (⚠) - Llame inmediatamente al proveedor. Puede continuar empleando el concentrador salvo que el proveedor le indique lo contrario. Esté seguro de que la reserva de oxígeno está cercana.

Luz ROJA (🔔) - Bloqueo total de la unidad. Cambie inmediatamente a suministro de oxígeno de reserva y llame al proveedor.

Luz VERDE - con luz AMARILLA parpadeando - Llame inmediatamente al proveedor. Funcionamiento incorrecto del sensor de oxígeno, puede continuar usando el concentrador.

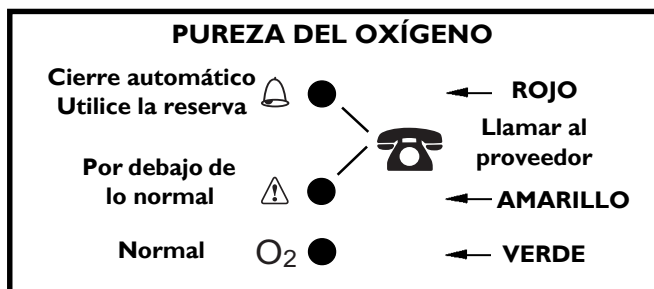


FIGURA 6.6 Explicación de las luces del indicador de pureza del oxígeno - Modelo IRC5PO2AW & IRCPO2VAW

Explicación de las luces del indicador - Modelo IRC5PAW

NOTA: Para este procedimiento, referase a FIGURA 6.7.

Explicación de las luces del indicador del modelo IRC5PAW

Luz ROJA (🔔) - Bloqueo total de la unidad. Cambie inmediatamente a suministro de oxígeno de reserva y llame al proveedor.

Luz VERDE (I/O) - On/Off Sistema Ok.

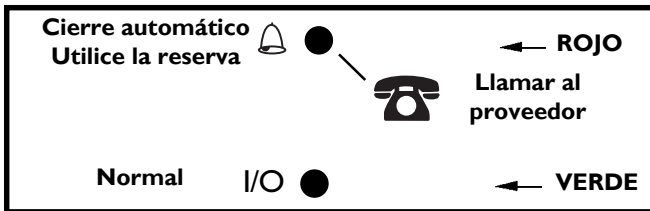


FIGURA 6.7 Explicación de las luces del indicador - Modelo IRC5PAW

Medidor de tiempo transcurrido (Contador horario)

El Contador Horario muestra el número acumulado de horas que lleva funcionando la unidad.

SECCIÓN 7—MANTENIMIENTO

⚠ ADVERTENCIA

Los concentradores Invacare han sido diseñados específicamente para minimizar el mantenimiento preventivo rutinario. Sólo el personal cualificado debe realizar operaciones de mantenimiento preventivo en el concentrador.

Desconecte el concentrador antes de limpiarlo. Para evitar descargas eléctricas, NO retire la carcasa.

NOTA: El mantenimiento preventivo DEBE ser realizado en conformidad con las instrucciones del registro de mantenimiento. En los lugares con altos niveles de polvo u hollín, el mantenimiento debe realizarse con mayor frecuencia. Remítase a en la página 123.

Mantenimiento rutinario

Se debe realizar con mayor frecuencia el siguiente mantenimiento rutinario. Véase los intervalos recomendados en cada sección y en la página 123.

Limpieza del filtro de la carcasa

PRECAUCIÓN

NO ponga en funcionamiento el concentrador sin el filtro instalado.

NOTA: Para este procedimiento, consulte a FIGURA 7.1 en la página 122.

NOTA: Existe un filtro de la carcasa situado en la parte posterior de la misma.

1. Inspeccione el filtro cada mes. Retire el filtro y límpielo según sea necesario.

NOTA: Las condiciones mediomambientales que pueden requerir una inspección y limpieza más frecuentes incluyen, aunque no se limitan a: gran cantidad de polvo, contaminantes del aire, etc.

2. Limpie el compartimento del filtro con un aspirador o lávelo en agua tibia jabonosa y límpielo completamente.
3. Seque el filtro antes de instalarlo nuevamente.

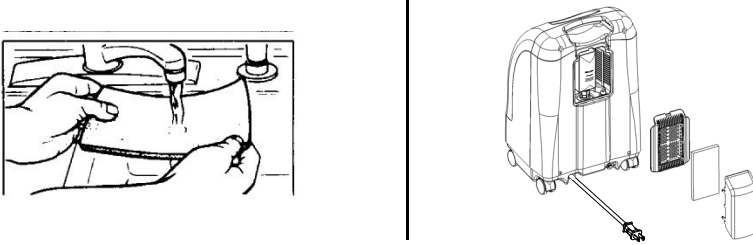


FIGURA 7.1 Limpieza del filtro de la carcasa

Limpieza de la carcasa

1. Limpie la carcasa con un limpiador casero y un paño o esponja no abrasivos.

Limpieza del humidificador

NOTA: Para limpiar el humidificador de oxígeno, siga las instrucciones que adjunta el fabricante. Si no se adjunta ninguna, siga estos PASOS:

1. Limpie el humidificador todos los días.
2. Lávelo en agua jabonosa y aclárelo en una solución de diez partes de agua y una parte de vinagre.
3. Aclárelo bien con agua caliente y vuelva a llenarlo con agua destilada hasta el nivel que se muestra en el humidificador.

MODELO N°. IRC _____ N° DE SERIE _____



REGISTRO DE MANTENIMIENTO PREVENTIVO

EN CADA INSPECCIÓN		Yes, you can:											
Registro de fecha de servicio													
Registro de horas transcurridas en el contador horario													
Limpia el filtro de la carcasa													
Compruebe el nivel de flujo prescrito L/min													
CADA 4.380 HORAS													
Compruebe la concentración de oxígeno (UNIDADES SIN SenSO ₂)													
CADA 26.280 HORAS O 3 AÑOS, LO QUE PRIMERO LLEGE													
Compruebe la concentración de oxígeno (UNIDADES CON SenSO ₂)													
DURANTE EL MANTENIMIENTO PREVENTIVO PROGRAMADO O ENTRE PACIENTES													
Limpia / Sustituir los filtros de la carcasa													
Check Outlet HEPA Filter*													
Compruebe el filtro de entrada del compresor*													
Compruebe la alarma de pérdida de alimentación													
CUANDO SE REQUIERA													
Limpie el intercambiador de calor													
Sustituya el silenciador de salida													
Reconstruya el compresor del extremo superior													

*NOTA: Remítase a la sección de mantenimiento preventivo del manual de reparación.

NOTA:

4.380 horas equivalen a un uso de 24 horas al día, 7 días a la semana durante 6 meses.
26.280 horas equivalen a un uso de 24 horas al día, 7 días a la semana durante 3 años.

FIGURA 7.2 Registro de mantenimiento preventivo

SECCIÓN 8—GUÍA DE PROBLEMAS

SÍNTOMA:	CAUSA PROBABLE:	SOLUCIÓN:
<p>Alarma:</p> <p>Pitido corto, pausa larga</p> <p>El concentrador no funciona; el interruptor de alimentación está conectado.</p> <p>Beep.....Beep.....</p>	<p>Pérdida de alimentación principal:</p> <ol style="list-style-type: none"> 1. El cable de alimentación no está conectado. 2. No hay corriente en la toma. 3. Interruptor diferencial activado. 	<ol style="list-style-type: none"> 1. Inserte el enchufe en la toma de corriente. 2. Inspeccione los interruptores diferenciales de la casa o los fusibles. En caso de que vuelva a ocurrir el problema, use una toma diferente. 3. Pulse o reinicie el interruptor diferencial. En caso de que vuelva a ocurrir el problema, llame al proveedor de servicios.
<p>Alarma:</p> <p>Continuo</p> <p>El concentrador no funciona; el interruptor de alimentación está conectado.</p> <p>Beeeeeeep....</p>	<p>Fallo del sistema:</p> <ol style="list-style-type: none"> 1. Sobrecalentamiento de la unidad debido a una entrada de aire bloqueada. 2. Alimentación insuficiente en la salida. 3. Son necesarias reparaciones internas. 	<ol style="list-style-type: none"> a. Retire y limpie los filtros de la carcasa. b. Aleje el concentrador de oxígeno al menos ocho centímetros de paredes, cortinas o muebles. <ol style="list-style-type: none"> 2. NO use extensores de cable. Muévelo a otra toma eléctrica o circuito. 3. Llame al proveedor de servicios.

SÍNTOMA:	CAUSA PROBABLE:	SOLUCIÓN:
<p>Luz AMARILLA o ROJA iluminada.</p> <p>Alarma: Continuo Sólo en la luz ROJA.</p> <p>*Sólo se aplica a modelos IRC5PO2AW & IRCPO2VAW</p>	<p>1. Baja pureza de oxígeno.*</p> <p>2. Tubos, cánula o humidificador doblados o bloqueados.*</p> <p>3. Medidor de flujo establecido en 0.5 L/min*.</p> <p>4. Sobrecalentamiento de la unidad debido a una entrada de aire bloqueada.</p> <p>5. Alimentación insuficiente en la salida.</p> <p>6. Son necesarias reparaciones internas.</p>	<p>1. Limpie o sustituya los filtros.</p> <p>2. Inspeccione en busca de dobleces o bloqueos. Corrija, limpie o sustituya el elemento. Una vez corregido, apague la alimentación durante 60 segundos y posteriormente vuelva a conectarla.</p> <p>3. Compruebe que el medidor de flujo se encuentre a 1.0 L/min o más. Remítase a <u>Parámetros habituales del producto</u> en la página 109.</p> <p>4a. Retire y limpie los filtros de la carcasa. 4b. Aleje el concentrador al menos ocho centímetros de paredes, cortinas o muebles.</p> <p>5. NO use extensores de cable. Muévelo a otra toma eléctrica o circuito.</p> <p>6. Llame al proveedor de servicios.</p>
<p>Luz VERDE con luz AMARILLA parpadeando.</p>	<p>1. Son necesarias reparaciones internas.</p>	<p>1. Llame al proveedor de servicios.</p>
<p>Alarma: Rápido</p> <p>Beep.....Beep..... Beep.....Beep</p>	<p>ALARMA DE CAUDAL BAJO</p> <p>1. Tubos, cánula o humidificador doblados o bloqueados</p>	<p>1. Inspeccione en busca de dobleces o bloqueos. Corrija, limpie o sustituya el elemento. Una vez corregido, apague la alimentación durante 60 segundos y posteriormente vuelva a conectarla.</p>
	<p>2. Medidor de flujo establecido en 0.5 L/min</p>	<p>2. No se recomiendan niveles de flujos inferiores a 1 L/min.</p>

SECCIÓN 9—ACCESORIOS OPCIONALES

Asimismo tiene a su disposición los siguiente accesorios opcionales:

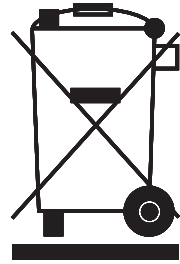
- Cánula nasal para adultos estándar de 2.1 m - M3120
- Humidificador estándar - M5120
- Humidificador pediátrico Precise RX™ / Accesorios de caudalímetro - IRCPF16AW
- Compresor de oxígeno para casa HomeFill - IOH200AW

INFORMACIÓN SOBRE RECICLAJE

Este producto ha sido suministrado por un fabricante conciente por el medioambiente que cumple con la Normativa de Desechos de Equipos Eléctricos y Electrónicos (WEEE) 2002/96/CE.

Este producto puede contener sustancias que pueden ser perjudiciales para el medioambiente si se desecha en lugares (vertederos) que no sean los apropiados según la legislación.

El símbolo del “cubo de basura con ruedas” se encuentra en este producto para motivarle a reciclar siempre que sea posible.



Le pedimos que sea responsable con el medioambiente y recicle este producto en un lugar apropiado para ello al final de su vida útil.

GARANTÍA LIMITADA

Belgium & Luxemburg:

Invacare nv, Autobaan 22, B-8210 Loppem
Tel: (32) (0) 50 83 10 10
Fax: (32) (0) 50 83 10 11
belgium@invacare.com

Danmark:

Invacare A/S, Sdr. Ringvej 37, DK-2605
Brøndby
Tel: (45) (0)36 90 00 00
Fax: (45) (0)36 90 00 01
denmark@invacare.com

Deutschland:

Invacare Aquatec GmbH,
Alemanenstraße 10, D-88316 Isny
Tel: (49) (0)75 62 7 00 0
Fax: (49) (0)75 62 7 00 66
info@invacare-aquatec.com

European Distributor Organisation:

Invacare, Kleiststraße 49, D-32457 Porta
Westfalica
Tel: (49) (0)57 31 754 540
Fax: (49) (0)57 31 754 541
edo@invacare.com

España:

Invacare SA, c/Areny s/n, Polígon
Industrial de Celrà, E-17460 Celrà (Girona)
Tel: (34) (0)972 49 32 00
Fax: (34) (0)972 49 32 20
contactsp@invacare.com

France:

Invacare Poirier SAS, Route de St Roch,
F-37230 Fondettes
Tel: (33) (0)2 47 62 64 66
Fax: (33) (0)2 47 42 12 24
contactfr@invacare.com

Switzerland:

Invacare AG,
Benkenstrasse 260, CH-4108 Witterswil
Tel: (41) (0)61 487 70 80
Fax: (41) (0)61 487 70 81
switzerland@invacare.com

Ireland:

Invacare Ireland Ltd, Unit 5 Seatown
Business Campus,
Seatown Road, Swords, County Dublin –
Ireland
Tel: (353) 1 810 7084
Fax: (353) 1 810 7085
ireland@invacare.com

Italia:

Invacare Mecc San s.r.l., Via dei Pini 62,
I-36016 Thiene (VI)
Tel: (39) 0445 38 00 59
Fax: (39) 0445 38 00 34
italia@invacare.com

Nederland:

Invacare BV, Celsiusstraat 46, NL-6716 BZ
Ede
Tel: (31) (0)318 695 757
Fax: (31) (0)318 695 758
nederland@invacare.com
csede@invacare.com

Norge:

Invacare AS, Grensesvingen 9, Postboks
6230, Etterstad, N-0603 Oslo
Tel: (47) (0)22 57 95 00
Fax: (47) (0)22 57 95 01
norway@invacare.com
island@invacare.com

Österreich:

Invacare Austria GmbH, Herzog
Odilostasse 101, A-5310 Mondsee
Tel: (43) 6232 5535 0
Fax: (43) 6232 5535 4
info@invacare-austria.com

Sverige & Suomi:

Invacare AB, Fagerstagatan 9,
S-163 91 Spånga
Tel: (46) (0)8 761 70 90
Fax: (46) (0)8 761 81 08
sweden@invacare.com
finland@invacare.com

United Kingdom:

Invacare Limited, Pencoed Technology
Park, Pencoed, Bridgend CF35 5HZ
Tel: (44) (0) 1656 776200
Fax: (44) (0) 1656 776201
Customer Services:
Tel: (44) (0) 1656 776222
Fax: (44) (0) 1656 776220
UK@invacare.com

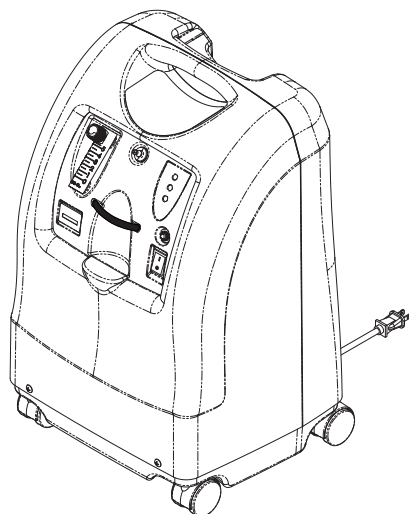
Portugal:

Invacare Lda,
Rua Estrada Velha, 949, P-4465-784 Leça do
Balio
Tel: (351) (0)225 1059 46/47
Fax: (351) (0)225 1057 39
portugal@invacare.com

Gebruikershandleiding

Perfecto₂[™] Reeks

Oxygen Concentrators zonder SensO₂[®],
Oxygen Concentrators met SensO₂[®]
HomeFill[®] compatibel



Model IRC5PO2AW
Model IRC5PO2VAW

Model IRC5PAW

Dealer: Deze handleiding MOET aan de eindgebruiker worden verstrekt.

Gebruiker: Lees deze handleiding VÓÓR u het product gebruikt en bewaar hem voor eventuele raadplegingen in de toekomst.



Voor meer informatie met betrekking tot
Invacare producten, onderdelen en
onderhoud, ga naar www.invacare.nl



Yes, you can.®

WAARSCHUWING

Gebruik dit product of elk verkrijgbare bijbehorende uitrusting NIET zonder eerst deze instructies en elk bijkomend instructiemateriaal zoals gebruikershandleidingen, service handleidingen of instructiepagina's die met dit product of met de bijbehorende uitrusting worden geleverd volledig door te lezen en te begrijpen. Als u de waarschuwingen, voorzorgsmaatregelen of instructies niet kunt begrijpen, dient u contact op te nemen met een arts of gezondheidswerker, de verkoper of technisch personeel voor u dit apparaat in gebruik neemt; anders kan letsel of beschadiging optreden.

WAARSCHUWING ACCESSOIRES

Invacare-producten worden speciaal ontworpen en gemaakt voor gebruik in combinatie met Invacare-accessoires. Accessoires die zijn ontworpen door andere fabrikanten, zijn niet getest door Invacare en worden niet aanbevolen voor gebruik met Invacare-producten.

ACCESSOIRES

U kunt dit apparaat gebruiken met vele verschillende typen bevochtigers, zuurstofslangen, canules en maskers. U dient contact op te nemen met uw plaatselijke thuiszorg voor aanbevelingen over welke hulpmiddelen voor u het geschiktst zijn. Zij kunnen ook advies geven over het juiste gebruik, onderhoud en reiniging.

LET OP: Een bijgewerkte versie van deze handleiding vindt men op www.invacare.com.

INHOUDSOPGAVE

ACCESSOIRES	130
SPECIALE OPMERKINGEN	132
LOCATIE VAN HET ETIKET	134
SECTIE 1—ALGEMENE RICHTLIJNEN	135
Bedieningsinformatie	136
Radiofrequente interferentie	137
SECTIE 2—EIGENSCHAPPEN	138
SECTIE 3—HANTERING	139
Uitpakken	139
Inspectie.....	139
Opslag	139
SECTIE 4—TECHNISCHE BESCHRIJVING	140
SECTIE 5—TYPISCHE PRODUCTPARAMETERS	141
SECTIE 6—	
BEDIENINGSINSTRUCTIES	145
Inleiding.....	145
Een ruimte kiezen.....	145
Opstelling	146
Aan/uitschakelaar.....	148
Stroomsnelheid	149
SensO ₂ indicator voor zuurstofzuiverheid - Model IRC5PO2AW & IRCPO2VAW	150
De concentrator aanzetten.....	150
Verklaring van de indicatielampjes - Model IRC5PAW	151
Verstrektijd-meter (Uurmeter)	152
SECTIE 7—ONDERHOUD	153
Routineonderhoud.....	153
SECTIE 8—GIDS VOOR PROBLEEMOPLOSSING	156
SECTIE 9—OPTIONELE ACCESSOIRES	158
RECYCLINGINFORMATIE	159
BEPERKTE GARANTIE	160

SPECIALE OPMERKINGEN

In deze handleiding worden signaalwoorden gebruikt die wijzen op gevaren of onveilige gebruiken die kunnen resulteren in persoonlijk letsel of materiële schade. Raadpleeg de volgende tabel voor definities van de signaalwoorden.

SIGNAALWOORD	BETEKENIS
GEVAAR	Gevaar geeft een op handen zijnde gevaarlijke situatie aan die, als deze niet wordt vermeden, de dood of ernstig letsel tot gevolg heeft.
WAARSCHUWING	Een waarschuwing geeft een mogelijk gevaarlijke situatie aan die, als deze niet wordt vermeden, de dood of ernstig letsel tot gevolg kan hebben.
LET OP	Let op' wijst op een mogelijk gevaarlijke situatie die, indien ze niet wordt voorkomen, kan leiden tot materiële schade of niet ernstig letsel, of beide.

MEDEDELING

De informatie in dit document kan zonder voorafgaande kennisgeving worden gewijzigd.

GEVAAR

NIET ROKEN tijdens gebruik van dit apparaat. Houd lucifers, brandende sigaretten of andere ontstekingsbronnen uit de kamer waarin dit apparaat zich bevindt en uit de buurt van de plaats waar zuurstof wordt geleverd.

Bordjes met **NIET ROKEN** moeten duidelijk zichtbaar zijn. Textiel en andere materialen die normaal gesproken niet branden, ontvlammen gemakkelijk en branden met grote intensiteit in met zuurstof verrijkte lucht. Het niet opvolgen van deze waarschuwing kan ernstige branden en materiële beschadiging veroorzaken en lichamelijk letsel of de **DOOD** tot gevolg hebben.

LET OP

"Let op: Volgens de wet mag dit apparaat uitsluitend worden verkocht door of op voorschrift van een arts of een andere op het betreffende vakgebied praktiserende persoon die volgens de verordeningen van de betreffende staat vergunning heeft voor het gebruik van of het opdragen van het gebruik van dit apparaat."

Invacare raad de aanwezigheid aan van een alternatieve bron voor supplementaire zuurstof voor het geval van stroomonderbreking, alarmsituaties of mechanisch defect. Raadpleeg uw arts of leverancier van de apparatuur voor het vereiste type reservesysteem.

Deze apparatuur is bedoeld voor de toediening van extra zuurstof en wordt niet beschouwd levensondersteunend of levensverlengend te zijn.

LOCATIE VAN HET ETIKET

Perfecto₂TM

VOOR BEDIENINGSINSTRUCTIES of WAARSCHUWINGEN (raadpleeg de gebruikershandleiding)

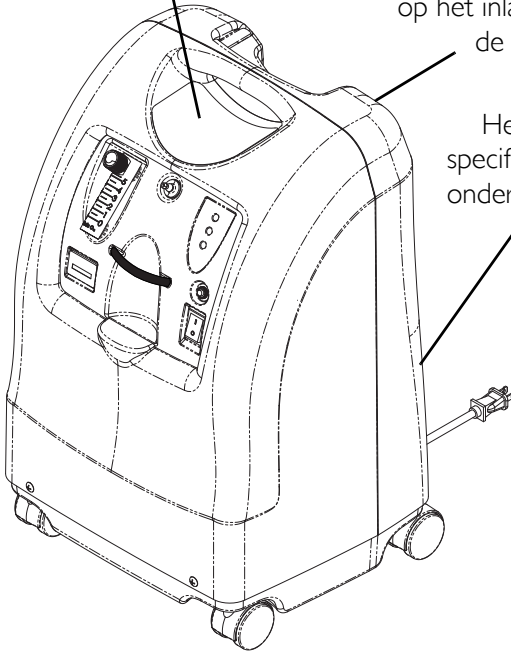
- ⚠ GEVAAR - RISICO OP BRAND
NIET ROKEN - Houd ALLE ontstekingsbronnen buiten de kamer waarin dit product zich bevindt en uit de buurt van gebieden waar zuurstof wordt toegediend. Textiel, oliën en andere brandbare stoffen kunnen snel ontvlammen en zeer intens branden in met zuurstof verrijkte lucht.
- ⚠ GEVAAR - ELEKTRISCHE SCHOK
Deksel NIET verwijderen. Doe een beroep op bevoegde onderhoudsmonteurs voor onderhoud en reparaties.
- ⚠ Flowsnelheden van minder dan 0,5 l/min activeren het alarm Lage flowsnelheid (snel hoorbaar alarm).
- ⚠ Stel bij het vullen van de HomeFill® cilinders de flowmeter in op 2,5 l/min of minder.

HomeFill®
Compatibel



Het etiket met het
serienummer bevindt zich
op het inlaatsamenstel van
de resonator

Het etiket met de
specificaties bevindt zich
onderaan de achterzijde



SECTIE I—ALGEMENE RICHTLIJNEN

Om te zorgen dat de Perfecto₂-concentrator veilig geïnstalleerd, gemonteerd en gebruikt wordt, MOET u deze aanwijzingen opvolgen.

⚠ WAARSCHUWING

Dit onderdeel bevat belangrijke informatie voor een veilige werking en gebruik van dit product.

⚠ GEVAAR

Gevaar voor elektrische schokken. NIET uit elkaar nemen. Doe een beroep op bevoegde onderhoudsmonteurs voor onderhoud en reparaties. Geen onderdelen die door de gebruiker moeten worden onderhouden.

TER VERMINDERING VAN HET RISICO OP BRANDWONDEN, ELEKTROCUTIE, BRAND OF PERSOONLIJK LETSEL.

Niet gebruiken tijdens het baden. Als de arts continu gebruik voorschrijft, MOET de concentrator in een andere kamer worden geplaatst op minstens 2,5 m van het bad.

Raak de concentrator NIET aan als u nat bent.

Plaats of bewaar het product NIET waar het in water of een andere vloeistof kan vallen.

Haal een product dat in het water is gevallen NIET uit het water. Haal ONMIDDELLIJK de stekker uit het stopcontact.

Als het snoer of de stekker van de concentrator beschadigd is, als de concentrator niet goed functioneert, gevallen of beschadigd is of in het water gevallen is, dient u de hulp van een bevoegd onderhoudstechnicus in te roepen om het apparaat te inspecteren en te herstellen.

⚠ GEVAAR

Een spontane en heftige ontbranding kan zich voordoen als olie, vet of vette stoffen in contact komen met zuurstof die onder druk staat. Deze stoffen **MOETEN** uit de buurt gehouden worden van de zuurstofconcentrator, de slangen en aansluitingen en alle andere zuurstofapparatuur. Gebruik **GEEN** smeermiddelen, tenzij dit uitdrukkelijk door Invacare aanbevolen wordt.

Veroorzaak geen vonken in de buurt van medische zuurstofapparatuur. Hieronder vallen statische elektriciteitsvonken, die door wrijving ontstaan.

Bedieningsinformatie

Voor een optimale werking beveelt Invacare aan dat elke concentrator per keer minimaal 30 minuten aanstaat en draait. Een kortere bedrijfsduur kan de maximale levensduur van het product verkorten.

Plaats de zuurstofslangen, kabel en apparaat niet onder voorwerpen zoals dekens, bedspreien, stoelkussens, kledingstukken en uit de buurt van verwarmende of hete oppervlakken zoals radiators, kachels en gelijkwaardige elektrische apparatuur.

Beweeg of verplaats de concentrator **NIET** door aan de stroomkabel te trekken.

Stop **NOOIT** een voorwerp of vloeistof in een van de openingen.

Invacare raadt bij dit product het gebruik aan van knelbestendige zuurstofslangen van maximaal 15,2 m lang.

Er zijn geen onderdelen die door de gebruiker moeten worden onderhouden. Dit geldt niet voor normale onderhoudsartikelen. Raadpleeg de rubriek 'onderhoud' voor onderdelen die door de gebruiker moeten worden onderhouden.

U dient het product **NOOIT** onbeheerd te laten terwijl de stekker in het stopcontact zit. Zet de Perfecto₂ steeds **UIT** wanneer hij niet wordt gebruikt.

In de omgeving van kinderen of lichamelijk gehandicapten dient het gebruik onder streng toezicht te bestaan.

Extra opvolging of aandacht kan vereist zijn voor patiënten die dit apparaat gebruiken en die geen alarmsignalen kunnen horen of zien of die hun ongemak niet kenbaar kunnen maken.

Schakel de concentrator **NIET** parallel of in serie met andere zuurstofconcentrators of andere apparaten voor zuurstoftherapie.

Radiofrequente interferentie

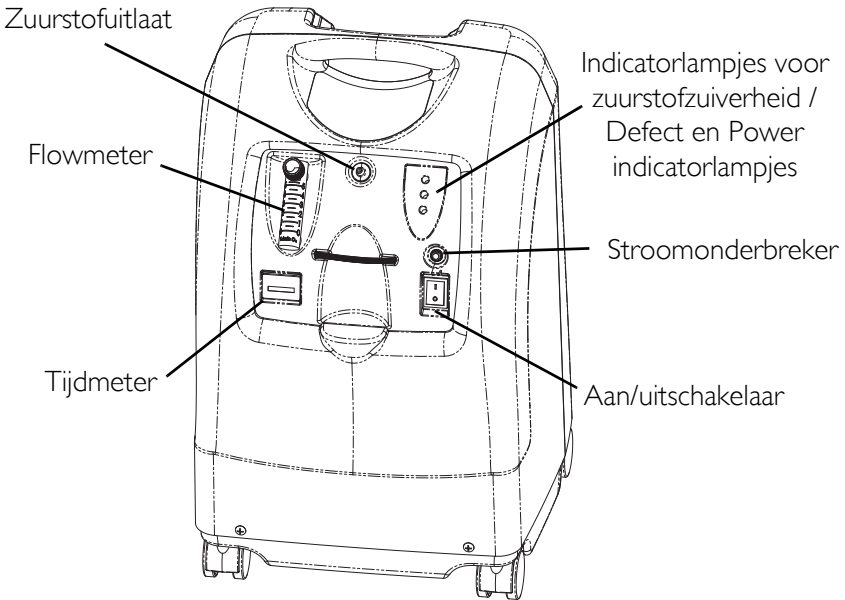
Dit apparaat werd getest en voldoet aan de EMC richtlijnen gespecificeerd door IEC/EN 60601-1-2. Deze richtlijnen werden opgesteld om een aanvaardbare bescherming te verschaffen tegen elektromagnetische interferentie in een kenmerkende medische installatie.

Andere apparaten kunnen worden gestoord door zelfs de laagste elektromagnetische emissies die zijn toegelaten door de bovenstaande standaards. Zet de Perfecto₂ uit om na te gaan of de emissies van de Perfecto₂ interferentie veroorzaakt.

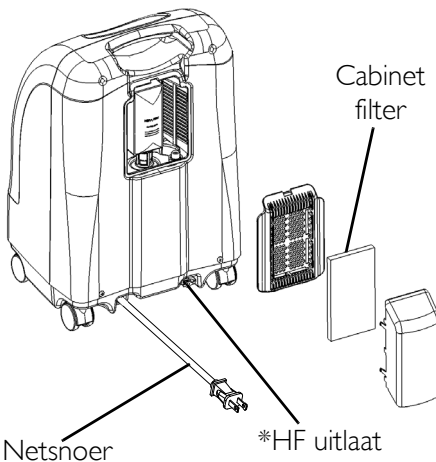
Als de interferentie met het andere apparaat (de andere apparaten) stopt, is de Perfecto₂ de oorzaak van de interferentie. In dergelijke zeldzame gevallen kan de interferentie worden verminderd of gecorrigeerd door een van de volgende maatregelen:

- Verplaats, verzet of verhoog de afstand tussen de apparaten.
- Verbind het apparaat met een wandcontactdoos die zich op een ander circuit bevindt dan die waarmee het andere apparaat is (de andere apparaten zijn) verbonden.

SECTIE 2—EIGENSCHAPPEN



ACHTERAANZICHT



**LET OP: Deze uitlaat mag alleen gebruikt worden om zuurstofcilinders te vullen met de HomeFill - zuurstofcompressor voor thuisgebruik. De werking van de concentrator wordt niet beïnvloed door de uitlaat. Raadpleeg de gebruikershandleiding van de HomeFill, onderdeelnummer 1145805, voor de aansluitings- en bedieningsinstructies. Wanneer de uitlaat niet gebruikt wordt, dient u deze met de bijgeleverde stop af te sluiten. Voor meer informatie over de HomeFill kunt u contact opnemen met uw Invacare dealer.*

SECTIE 3—HANTERING

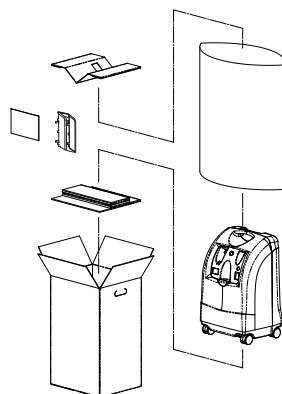
De concentrator dient **ALTIJD** rechtop gehouden te worden om te voorkomen dat het cabinet tijdens het vervoer beschadigd wordt.

Als de concentrator opnieuw moet worden vervoerd door een algemeen vervoersbedrijf, zijn er additionele kartons verkrijgbaar bij Invacare.

Uitpakken

LET OP: Raadpleeg voor deze procedure AFBEELDING 3.1.

1. Controleer de doos en de inhoud op beschadiging. Als de beschadiging duidelijk zichtbaar is, stel dan het vervoersbedrijf of uw plaatselijke dealer op de hoogte.
2. Verwijder al het losse verpakkingsmateriaal uit de doos.
3. Haal voorzichtig alle onderdelen uit de doos.



AFBEELDING 3.1
Uitpakken

LET OP: Laat, tenzij de zuurstofconcentrator ONMIDDELIJK moet worden gebruikt, de concentrator in zijn verpakking voor opslag tot het gebruik van de concentrator vereist is.

Inspectie

1. Inspecteer de buitenkant van de zuurstofconcentrator op sneetjes, deuken, krassen of andere beschadigingen. Inspecteer alle onderdelen.

Opslag

1. Sla de verpakte zuurstofconcentrator op in een droge ruimte.
2. Plaats **GEEN** objecten boven op de verpakte concentrator.

SECTIE 4—TECHNISCHE BESCHRIJVING

De Invacare Perfecto₂ concentrator wordt gebruikt door patiënten met ademhalingsstoornissen die supplementaire zuurstof nodig hebben. Het apparaat is niet bedoeld als kunstmatige beademing.








Het zuurstofconcentratiegehalte van het uitstromende gas ligt in het traject van 87 tot 95,6 %. De zuurstof wordt aan de patiënt toegediend door middel van een neuscanule.

De Invacare Perfecto₂ concentrator maakt gebruik van de moleculaire zeef en 'pressure swing' adsorptie methode om de zuurstofgasuitvoer te produceren. Lucht uit de omgeving stroomt in het apparaat, wordt gefilterd en vervolgens samengeperst. Deze samengeperste lucht wordt vervolgens naar een van de twee stikstofadsorberende zeefbedden gevoerd. Geconcentreerde zuurstof stroomt uit het tegenoverliggende uiteinde van het actieve zeefbed en wordt naar een zuurstofreservoir gevoerd van waaruit de zuurstof wordt toegediend aan de patiënt.

De Invacare Perfecto₂ concentrator kan door de patiënt thuis of in een verpleeginrichting worden bediend. Het apparaat werkt bij een nominaal vermogen van 230 VAC / 50 Hertz.

Onderhoudsinformatie is uitsluitend op aanvraag verkrijgbaar voor bevoegd technisch personeel.

SECTIE 5—TYPISCHE PRODUCTPARAMETERS

	Wisselstroom
	Type BF-apparaatuur
	Apparaat ingeschakeld
	Apparaat uitgeschakeld
	Let op: raadpleeg bijgaande documentatie
	NIET roken
	Klasse II, dubbele isolatie
IPX1	Beschermen tegen druppelend water
Elektrische vereisten:	230 VAC ± 10% (253 VAC/207 VAC), 50 Hz
Nominale ingangsstroom:	1,4 A
Geluidsnivo:	Gemiddeld 39,5 dBA
Hoogte:	<p>Alle Perfecto2 Modelleren: Tot 2438 meter (8000 ft) boven zeeniveaus zonder degradatie van concentratieniveaus. Van 2438 meter (8000 ft) tot 4000 meter (13129 ft) onder 90% doeltreffendheid.</p> <p>Alle Perfecto2 Modelleren terwijl een HomeFill System vullen: Tot 1828 meter (6000 ft) boven zeeniveaus zonder degradatie van concentratieniveaus. Van 1828 meter (6000 ft) tot 4000 meter (13129 ft) onder 90% doeltreffendheid.</p>



SECTIE 5—TYPISCHE PRODUCTPARAMETERS

Concentratieniveaus zuurstofuitvoer: <i>LET OP: Dit concentratieniveau wordt na de initiële opwarmperiode bereikt (ongeveer 30 minuten).</i>	87% tot 95,6% bij 0,5 tot 5 l/min 93% ± 3% tot 2 l/min
Maximum uitlaatdruk:	34,5 kPa ± 3,45 kPa (5 psi ± 0,5 psi)
Flow bereik:	0,5 tot 5 l/min (maximum) Voor flow snelheden van minder dan 1 l/min raden wij het gebruik aan van de Invacare Flowmeter voor kinderen (IRCPF16AW)
Lage flow alarm:	0 l/min tot 0,5 l/min Snel hoorbaar piepsignaal (Geen accessoires aangekoppeld)
Gemiddeld vermogen Verbruik:	Perfecto ₂ AW - 300 W @ 5 l/min, 280 W @3 l/min Perfecto ₂ VAW - 320 W@ 5 l/min
Drukontlastingsmechanisme werkzaam bij:	24 l kPa ± 24,1 kPa (35 psi ± 3,5 psi)
Verandering van de maximale aanbevolen flowsnelheid bij uitoefening van tegendruk van 7k Pa:	0,7 l/min
Filters:	Cabinet, HEPA-uitlaat en compressor-inlaat
Veiligheidssysteem:	Uitschakeling bij overbelasting of stroomstoot Uitschakeling bij hoge temperatuur compressor Uitschakeling bij Hoge druk alarm Uitschakeling bij Lage druk alarm Batterijloos stroomuitvalalarm Alarm Lage flow SensO ₂ -zuurstofsysteem (SensO ₂ -model)
Breedte:	38,1 cm ± 1 cm (15 in ± 3/8 in)
Hoogte:	58,4 cm ± 1 cm (23 in ± 3/8 in)
Diepte:	30,5 cm ± 1 cm (12 in ± 3/8 in)
Gewicht:	Perfecto ₂ AW Models - 20.5 kg ± 1 kg (45 lbs ± 2 lbs) Perfecto ₂ VAW Models - 18.1 kg ± 1 kg (40 lbs ± 2 lbs)
Vervoersgewicht:	Perfecto ₂ AW Models - 22.7 kg ± 1 kg (50 lbs ± 2 lbs) Perfecto ₂ VAW Models - 20.4 kg ± 1 kg (45 lbs ± 2 lbs)
Gebruiks-omgevings Temperatuur:	10 °C - 35 °C bij 20-60% relatieve luchtvochtigheid


SECTIE 5—TYPISCHE PRODUCTPARAMETERS

Temperatuur uitstromende koelingslucht:	Minder dan omgeving +19 °C
Temperatuur zuurstofuitvoer:	Minder dan omgeving +3 °C
Cabinet:	Schokbestendige, vlamvertragende kunststof behuizing die voldoet aan UL 94-V0
Geen AP/APG	Niet geschikt voor gebruik in de aanwezigheid van een ontvlambaar narcosemengsel
Standards en regelgevende lijst:	<p>IRC5PO2AW/IRC5PAW/IRCPO2VAW: IEC/EN 60601-1, A1, A2 IEC/EN 60601-1-2, IEC/EN61000-3-2, IEC/EN61000-3-3</p> <p>Alleen IRC5PO2AW & IRCPO2VAW modellen ISO8359 MDD 93/42/EEC, Bijlage I en IX</p>
Modellen met CE-markering	IRC5PO2AW & IRCPO2VAW
Elektriciteit:	Geen verlengsnoeren
Plaatsing:	<p>Niet dichters dan 7,5 cm van muren, meubilair of gordijnen om voldoende luchtdoorstroming te verzekeren</p> <p>Vermijd hoogpolig tapijt en kachels, radiatoren en heteluchtroosters Mag uitsluitend op de grond worden geplaatst</p> <p>Geen begrensde ruimten (Voorbeeld: geen kasten)</p>
Slangen:	2,1 m canule met een knikvaste slang van maximaal 15 m (NIET afklemmen)
Bedrijfsduur:	Maximaal 24 uur per dag
Aanbevolen opslag- en transporttemperatuur:	-29 °C tot 65 E 94°C bij 15-95% relatieve luchtvochtigheid
Omgeving:	<p>Rook- en roetvrij</p> <p>Geen begrensde ruimten (Voorbeeld: geen kasten)</p>
Minimale bedrijfsduur:	30 minuten

IRC5PO2AW & IRCPO2VAW INDICATOREN

ETIKET SYMBOOL	O ₂ ZUIVERHEID	INDICATIELAMPJES (LED)
O ₂	SYSTEEM OK O ₂ meer dan 85% (± 2%)	GROEN indicatielampje
	O ₂ tussen 73% (± 3%) en 85% (±2%)	GEEL indicatielampje A. Continu GEEL B. GEEL knipperende sensor Storing Bel een bevoegd technicus.
	SYSTEEMSTORING O ₂ minder dan 73% (± 3%)	ROOD indicatielampje Continu geluidsalarm uitschakeling Sieve-GARD compressor

IRC5PAW INDICATOREN

ETIKET SYMBOOL	STATUS	INDICATIELAMPJES (LED)
I/O	SYSTEEM OK	GROEN indicatielampje
	SYSTEEMSTORING	ROOD indicatielampje Continu geluidsalarm Sieve-GARD™ compressor Uitschakeling Bel een bevoegd technicus.

SECTIE 6— BEDIENINGSINSTRUCTIES

Inleiding

Uw zuurstofconcentrator is uitsluitend bedoeld voor individueel gebruik. Het is een elektronisch bestuurd apparaat dat zuurstof scheidt uit de lucht in de kamer. Het dient u via een neusslangetje (canule) rechtstreeks een hoge concentratie zuurstof toe. Klinisch onderzoek heeft aangetoond dat zuurstofconcentrators therapeutisch gelijkwaardig zijn aan andere typen zuurstofafgiftesystemen.

Uw leverancier zal u laten zien hoe u uw zuurstofconcentrator gebruikt. Als u vragen of problemen hebt met uw zuurstofconcentrator, dient u contact met uw leverancier op te nemen. Deze gebruikershandleiding verschaft meer informatie over uw concentrator en dient als referentie bij gebruik van uw concentrator.

Een ruimte kiezen

WAARSCHUWING

Blokkeer **NOOIT** de luchtopeningen van het product en plaats het niet op een zachte ondergrond, zoals een bed of een bank, waardoor de luchtopeningen geblokkeerd kunnen raken. Houd de openingen vrij van stof, haar en dergelijke.

Plaats het apparaat op ten minste 7,5 cm afstand van muren, gordijnen, meubels en dergelijke.

U kunt een kamer in uw huis kiezen waar u de zuurstofconcentrator het gemakkelijkst kunt gebruiken. Uw concentrator kan op de zwenkwieltjes gemakkelijk van de ene naar de andere kamer gerold worden.

Uw zuurstofconcentrator werkt het best wanneer hij wordt bediend onder de omstandigheden beschreven Typische productparameters op pagina 141 in de gebruikershandleiding. Gebruik in een andere omgeving dan hier beschreven wordt, kan ertoe leiden dat het apparaat vaker onderhoud nodig heeft. De luchtinlaat van het apparaat moet zich in een goed geventileerd vertrek bevinden om luchtvervuiling en/of dampen te vermijden. NIET gebruiken in een kast.

Opstelling

1. Steek de stekker van het netsnoer in een stopcontact.
2. Bevochtiger aansluiten (indien voorgeschreven).

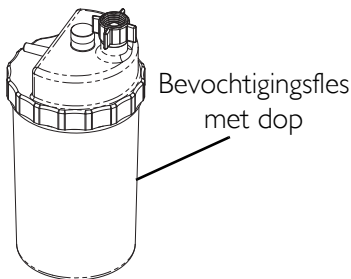
⚠ WAARSCHUWING

De bevochtiger NIET boven het aangegeven peil vullen.

Verwissel de in- en uitlaataansluitingen voor de zuurstof NIET. Water uit de bevochtigersfles wordt door de canule terug naar de patiënt gebracht.

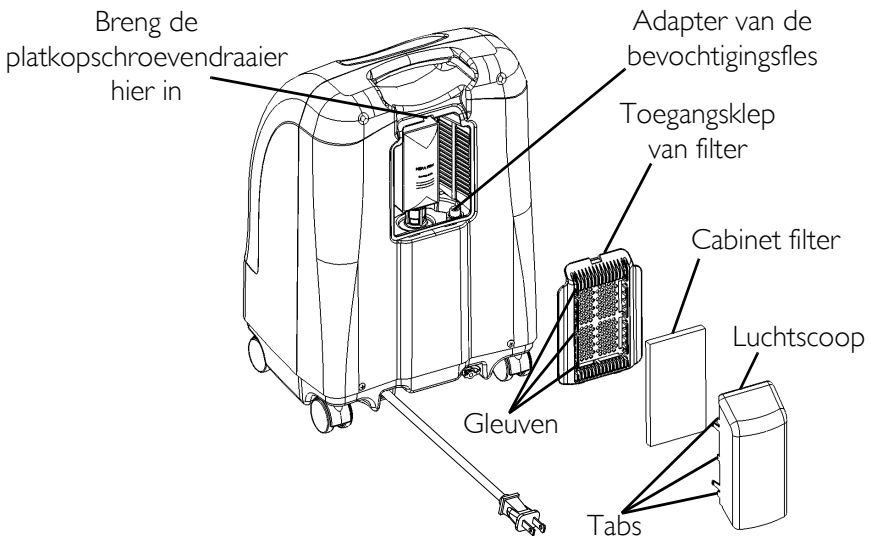
LET OP: Raadpleeg voor deze procedure AFBEELDING 6.1, AFBEELDING 6.2 op pagina 147, AFBEELDING 6.3 op pagina 148.

1. Verwijder de dop van de fles.
2. Vul de bevochtiger met gedestilleerd water tot het peil dat door de fabrikant is aangegeven. Draai de dop stevig op de bevochtiger.



AFBEELDING 6.1 De bevochtiger vullen

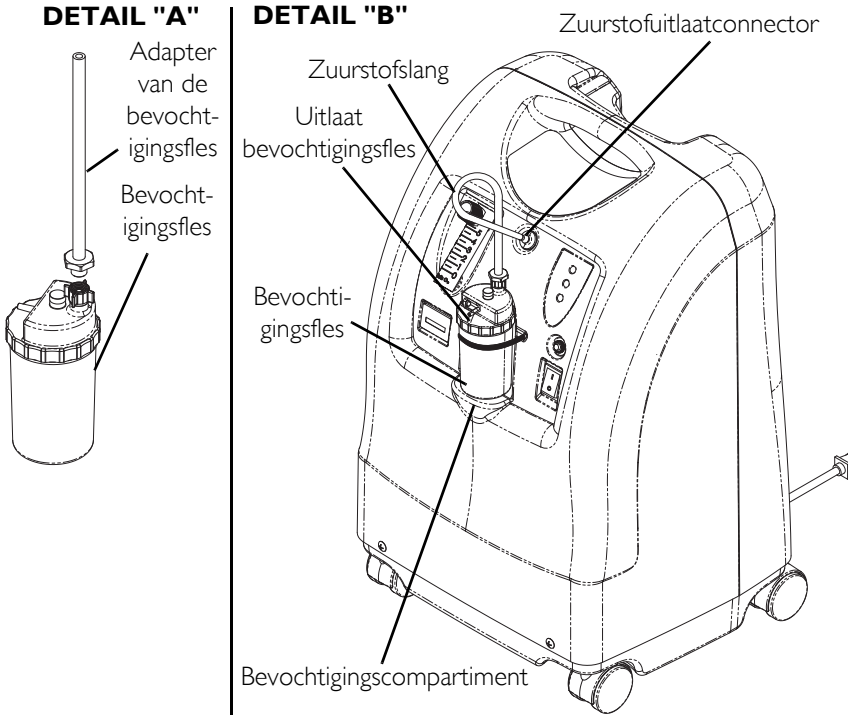
3. Steek een platkopschroevendraaier in de groef in de bovenrand van de toegangsklep van het filter en wrik deze voorzichtig open (AFBEELDING 6.2).
4. Trek de adapter van de bevochtigingsfles omhoog en verwijder hem (AFBEELDING 6.2).
5. Zet de toegangsklep van het filter opnieuw vast en installeer de luchtscoop op de toegangsklep door de zes tabs op de luchtscoop in de zes gleuven op de zijkanten van de toegangsklep te voeren.



AFBEELDING 6.2 Adapter van de bevochtigingsfles

6. Bevestig de adapter van de bevochtigingsfles aan de bevochtigingsfles door de vleugelmoer tegen de wijzers van de klok in op de bevochtigingsfles te draaien tot deze stevig vastzit. Zie Detail "A" in AFBEELDING 6.3.
7. Plaats het bevochtigingsfles/adapter samenstel in het bevochtigingscompartiment op de concentrator. Zie Detail "B" in AFBEELDING 6.3.
8. Bevestig de zuurstofslang van het bevochtigingsfles/ adapter samenstel aan de zuurstofuitlaatconnector op de concentrator. Zie Detail "B" in AFBEELDING 6.3.

9. Sluit de canule/toevoerslang naar de patiënt aan op de uitlaat van de bevochtigingsfles. Zie Detail "B" in AFBEELDING 6.3.
10. Controleer of er na installatie zuurstof door de canule stroomt.



AFBEELDING 6.3 Bevochtigingscompartiment

Aan/uitschakelaar

LET OP: Raadpleeg voor deze procedure AFBEELDING 6.4.

1. Zet de aan/uitschakelaar in de Aan-stand. Alle paneellampjes en het hoorbare alarm gaan gedurende één seconde aan ter aanduiding dat het apparaat naar behoren functioneert.



AFBEELDING 6.4 Aan/uitschakelaar

Stroomsnelheid

LET OP: Raadpleeg voor deze procedure AFBEELDING 6.5.

LET OP: Stel de stroomsnelheid niet hoger in dan de RODE ring. Een zuurstofdoorstroming van meer dan 5 l/min vermindert de zuurstofconcentratie.

1. Draai de stroomsnelheidknop naar de door uw arts of therapeut voorgeschreven stand.

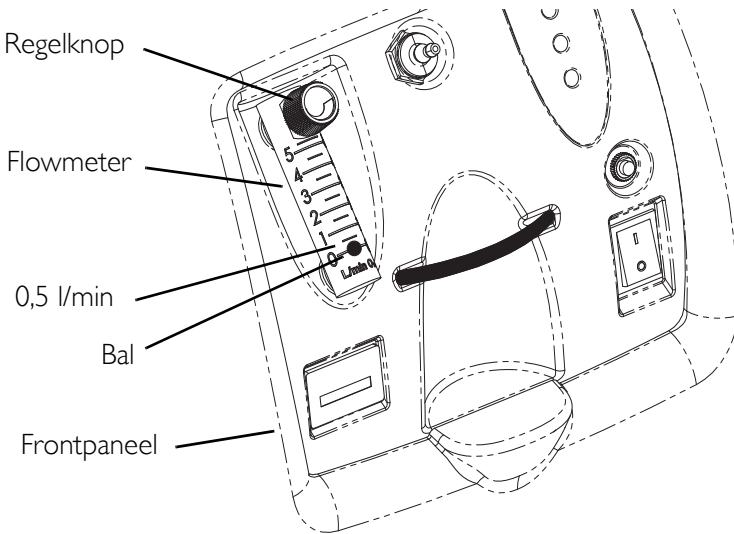
WAARSCHUWING

U mag de l/min.-instelling op de flowmeter NIET veranderen, tenzij uw arts of therapeut deze verandering heeft voorgeschreven.

LET OP: Om de flowmeter goed af te kunnen lezen, zoekt u het streepje van de voorgeschreven stroomsnelheid op de flowmeter. Draai de stroomsnelheidknop vervolgens tot de bal tot deze streep omhoog komt. Centreer de bal nu op het voorgeschreven l/min-streepje.

2. Als de stroomsnelheid op de flowmeter ooit langer dan een minuut lager is dan 0,5 l/min, wordt het alarm LAGE STROOMSNELHEID geactiveerd. Dit is een geluidsalarm dat bestaat uit snelle pieptonen. Controleer de slangen en de accessoires op een geblokkeerde of geknikte slang of een defecte bevochtigingsfles. Nadat de stroomsnelheid hersteld is tot meer dan 0,5 l/min gaat het geluidsalarm voor LAGE STROOMSNELHEID uit.

LET OP: Bij gebruik van bepaalde accessoires, zoals de speciale aanpassing voor kinderen en de HomeFill-compressor, wordt het alarm voor lage stroomsnelheid uitgeschakeld.



AFBEELDING 6.5 Stroomsnelheid

SensO₂ indicator voor zuurstofzuiverheid - Model IRC5PO2AW & IRCPO2VAW

Deze functie bewaakt de zuiverheid van de zuurstof die gegenereerd wordt door de zuurstofconcentrator. Als de zuiverheid lager wordt dan de in de fabriek vooraf ingestelde waarde, gaan de indicatielampjes op het bedieningspaneel branden.

De concentrator aanzetten

LET OP: De concentrator mag tijdens de eerste opwarmperiode (ongeveer 30 min.) gebruikt worden terwijl u wacht tot de maximale O₂-zuiverheid wordt bereikt.

Wanneer het apparaat aangezet wordt, gaat het GROENE lampje branden (SYSTEEM OK/O₂ meer dan 85%). Na vijf minuten werkt de zuurstofsensoren normaal en bestuurt de indicatielampjes, afhankelijk van de waarde van de zuurstofconcentratie.

Verklaring van de indicatielampjes voor zuurstofzuiverheid - Model IRC5PO2AW & IRC5PO2VAW

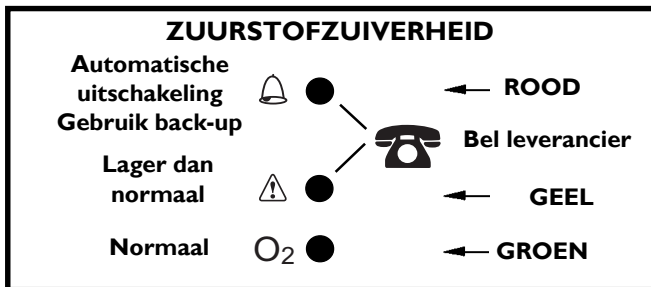
LET OP: Raadpleeg voor deze procedure AFBEELDING 6.6 op pagina 151.

GROEN lampje (O₂) - Normale werking.

GEEL lampje (⚠) - Neem onmiddellijk contact op met uw leverancier. U kunt de concentrator blijven gebruiken, tenzij uw leverancier u andere instructies geeft. Houd reservezuurstof bij de hand.

ROOD lampje (📞)- Apparaat wordt geheel uitgeschakeld. Schakel onmiddellijk over op de reserve-zuurstoftoevoer en neem contact op met uw leverancier.

GROEN lampje - met GEEL knipperlicht - Neem onmiddellijk contact op met uw leverancier. Storing in zuurstofsensor; u kunt de concentrator blijven gebruiken.



AFBEELDING 6.6 Verklaring van de indicatielampjes voor zuurstofzuiverheid - Model IRC5PO2AW & IRC5PO2VAW

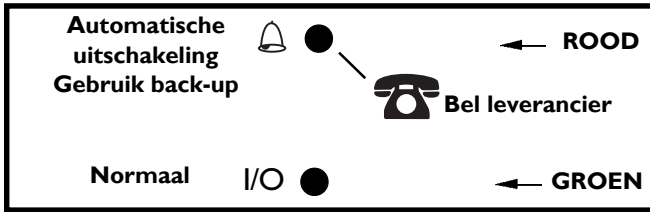
Verklaring van de indicatielampjes - Model IRC5PAW

LET OP: Raadpleeg voor deze procedure AFBEELDING 6.7.

IRC5PAW model indicatorlampje verklaring

ROOD lampje (🔔)- Apparaat wordt volledig stopgezet. Schakel onmiddellijk over op de reserve-zuurstoftoevoer en neem contact op met uw leverancier.

GROEN lampje (I/O) - Aan/Uit. Systeem OK.



AFBEELDING 6.7 Verklaring van de indicatielampjes - Model IRC5PAW

Verstrektijd-meter (Uurmeter)

De uurmeter geeft het cumulatieve aantal uren weer dat het apparaat gewerkt heeft.

SECTIE 7—ONDERHOUD

⚠ WAARSCHUWING

Invacare-concentrators zijn speciaal ontworpen om regelmatig preventief onderhoud te beperken. Alleen bevoegd personeel mag preventief onderhoud uitvoeren op de concentrator.

Haal de stekker uit het stopcontact voor u het cabinet reinigt. Om elektrische schokken te voorkomen, mag u de behuizing NIET verwijderen.

LET OP: Preventief onderhoud MOET minimaal volgens de richtlijnen van het onderhoudsschema uitgevoerd worden. Op plaatsen met veel stof of roet kan het apparaat meer onderhoud nodig hebben. Zie op pagina 155.

Routineonderhoud

De volgende routineonderhoudsmaatregelen dienen vaker uitgevoerd te worden. Raadpleeg de aanbevolen intervallen in elke sectie en op pagina 155.

Het cabinetfilter reinigen

LET OP

Laat de concentrator NIET werken zonder dat de filters geïnstalleerd zijn.

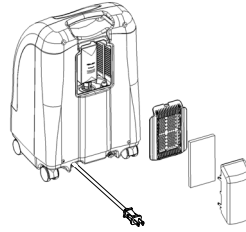
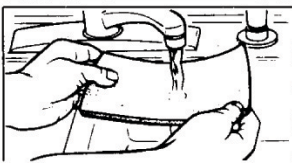
LET OP: Raadpleeg voor deze procedure AFBEELDING 7.1 op pagina 154.

LET OP: Er bevindt zich één cabinetfilter aan de achterzijde van de kast.

1. Controleer de filter elke maand. Verwijder en reinig de filter indien nodig.

LET OP: Omgevingscondities die een frequentere controle en reiniging van de filter kunnen vereisen omvatten, maar zijn niet beperkt tot: hoge aanwezigheid van stof, luchtvervuiling enz.

2. Reinig de cabinetfilters met een stofzuiger of was ze in warm zeepsop en spoel ze grondig af.
3. De filter grondig drogen alvorens opnieuw te installeren.



AFBEELDING 7.1 Het cabinetfilter reinigen

Het cabinet reinigen

1. Reinig de behuizing met een mild huishoudelijk reinigingsmiddel en een niet-schurende doek of spons.

De bevochtiger reinigen

LET OP: Volg de volgende instructies van de fabrikant om de zuurstofbevochtiger te reinigen. Als er geen instructies zijn, voert u de volgende STAPPEN uit:

1. Reinig de bevochtiger dagelijks.
2. Was hem in zeepsop en spoel hem af met een oplossing van tien delen water en een deel azijn.
3. Spoel de bevochtiger daarna grondig met heet water af en vul hem met gedestilleerd water tot het peil dat op de bevochtiger wordt aangegeven.



MODELNR. IRC _____ SERIENR. _____

RAPPORT PREVENTIEF ONDERHOUD

BIJ ELKE CONTROLE		Yes, you can:											
Noteer servicedatum													
Noteer aantal verstreken uren op uurmeter													
Reinig cabinetfilters													
Controleer voorgeschreven l/min. stroomsnelheid													
ELKE 4.380 UUR													
Controleer zuurstofconcentratie (SYSTEMEN ZONDER SensO ₂)													
ELKE 26.280 UUR OF 3 JAAR, WELKE HET EERST VOORKOMT													
Controleer zuurstofconcentratie (SYSTEMEN MET SensO ₂)													
TIJDENS PREVENTIEF ONDERHOUD OF TUSSEN PATIËNTEN													
Reinig/vervang de cabinetfilters													
Controleer uitgang HEPA-filter*													
Controleer de inlaatfilter van de compressor*													
Controleer stroomuitvalalarm													
INDIEN NODIG													
Reinig warmtewisselaar													
Vervang uitlaatdemper													
Vernieuw de kop van de compressor													

*LET OP: Zie de paragraaf Preventief onderhoud in de onderhoudshandleiding.

LET OP:

4.380 uren komen overeen met een gebruik van 24 uur per dag, 7 dagen per week, gedurende 6 maanden.
26.280 uren komen overeen met een gebruik van 24 uur per dag, 7 dagen per week, gedurende 3 jaar.

AFBEELDING 7.2 Rapport preventief onderhoud

SECTIE 8—GIDS VOOR PROBLEEMOPLOSSING

SYMPTOOM:	VERMOEDELIJKE OORZAAK:	OPLOSSING:
<p>Alarm:</p> <p>Korte pieptonen, lange pauze</p> <p>Concentrator werkt niet, schakelaar is AAN.</p> <p>Piep.....piep.....</p>	<p>Stroomuitval:</p> <p>1. Netsnoer NIET aangesloten.</p> <p>2. Geen stroom op stopcontact.</p> <p>3. Doorgeslagen stroomonderbreker.</p>	<p>1. Steek stekker in stopcontact.</p> <p>2. Controleer stroomonderbrekers of zekeringen van het huis. Bij terugkerend probleem een ander stopcontact gebruiken.</p> <p>3. Drukknop/terugstelschakelaar Als er zich problemen voordoen, kunt u contact opnemen met de onderhoudsdienst.</p>
<p>Alarm:</p> <p>Continu</p> <p>Concentrator werkt niet, schakelaar is AAN.</p> <p>Pieeeeeeeep....</p>	<p>Systeemstoring:</p> <p>1. Apparaat is oververhit wegens geblokkeerde luchtinlaat.</p> <p>2. Onvoldoende stroom op stopcontact.</p> <p>3. Interne reparatie noodzakelijk.</p>	<p>1a. Verwijder en reinig cabinetfilters.</p> <p>1b. Plaats zuurstofconcentrator op ten minste 7,5 cm afstand van muren, gordijnen of meubels.</p> <p>2. Gebruik GEEN verlengsnoeren. Gebruik een ander stopcontact of stroomkring.</p> <p>3. Bel technische dienst.</p>

SYMPTOOM:	VERMOEDELIJKE OORZAAK:	OPLOSSING:
<p>GEEL of ROOD lampje brandt.</p> <p>Alarm: Continu Alleen bij ROOD lampje.</p> <p>* Alleen van toepassing op IRC5PO2AW & IRC5PO2VAW modellen</p>	<ol style="list-style-type: none"> 1. Lage zuurstofzuiverheid.* 2. Geknikte of geblokkeerde slang, canule of bevochtiger.* 3. Flowmeter ingesteld op 0,5 l/min * 4. Apparaat is oververhit wegens geblokkeerde luchtinlaat. 5. Onvoldoende stroom op stopcontact. 6. Interne reparatie noodzakelijk. 	<ol style="list-style-type: none"> 1. Reinig of vervang filters. 2. Controleer op knikken of blokkeringen. Corrigeer, reinig of vervang artikel. Schakel de stroom na correctie 60 seconden Uit en schakel de stroom vervolgens weer Aan. 3. Controleer of de flowmeter ingesteld is op 1,0 l/min. of meer. Zie <u>Typische productparameters</u> op pagina 141. 4a. Verwijder en reinig cabinetfilters. 4b. Plaats concentrator op ten minste 7,5 cm afstand van muren, gordijnen of meubels. 5. Gebruik GEEN verlengsnoeren. Gebruik een ander stopcontact of stroomkring. 6. Bel technische dienst.
<p>GROEN lampje met GEEL knipperlampje.</p>	<ol style="list-style-type: none"> 1. Interne reparatie noodzakelijk. 	<ol style="list-style-type: none"> 1. Bel technische dienst.
<p>Alarm: Snel</p> <p>Piep....piep... Piep...piep</p>	<p>Lage Flow alarm</p> <ol style="list-style-type: none"> 1. Geknikte of geblokkeerde slang, canule of bevochtiger. 2. Flowmeter ingesteld op 0,5 l/min 	<ol style="list-style-type: none"> 1. Controleer op knikken of blokkeringen. Corrigeer, reinig of vervang artikel. Schakel de stroom na correctie 60 seconden Uit en schakel de stroom vervolgens weer Aan. 2. Stroomsnelheden van minder dan 1 l/min worden niet aanbevolen

SECTIE 9—OPTIONELE ACCESSOIRES

De volgende optionele accessoires zijn ook verkrijgbaar:

- Standaard neuscanule volwassenen, 2,1 m - M3120
- Standaard bevochtiger - M5120
- PreciseRX™ Bevochtiger/flowmeter kinderen - IRCPF16AW
- HomeFill zuurstofcompressor voor thuisgebruik - IOH200AW

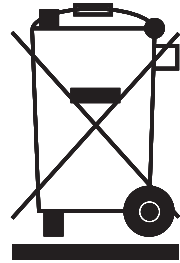
RECYCLINGINFORMATIE

Dit product wordt geleverd door een milieubewuste fabrikant die zich houdt aan de richtlijn van de EU betreffende afgedankte elektrische en elektronische apparatuur (AEEA-richtlijn) 2002/96/CE.

Dit product kan stoffen bevatten die schadelijk zijn voor het milieu als ze afgevoerd worden naar plaatsen (stortplaatsen) die daar volgens de wet niet geschikt voor zijn.

Het symbool van de 'vuilnisbak op wieltjes met een kruis erdoor' is op dit product geplaatst om u aan te moedigen producten zo veel mogelijk te recyclen.

Wees milieubewust en recycle dit product aan het eind van de levensduur via uw recyclingafdeling.



BEPERKTE GARANTIE

Belgium & Luxemburg:

Invacare nv, Autobaan 22, B-8210 Loppem
Tel: (32) (0) 50 83 10 10
Fax: (32) (0) 50 83 10 11
belgium@invacare.com

Danmark:

Invacare A/S, Sdr. Ringvej 37, DK-2605
Brøndby
Tel: (45) (0)36 90 00 00
Fax: (45) (0)36 90 00 01
denmark@invacare.com

Deutschland:

Invacare Aquatec GmbH,
Alemanenstraße 10, D-88316 Isny
Tel: (49) (0)75 62 7 00 0
Fax: (49) (0)75 62 7 00 66
info@invacare-aquatec.com

European Distributor Organisation:

Invacare, Kleiststraße 49, D-32457 Porta
Westfalica
Tel: (49) (0)57 31 754 540
Fax: (49) (0)57 31 754 541
edo@invacare.com

España:

Invacare SA, c/Areny s/n, Polígon
Industrial de Celrà, E-17460 Celrà (Girona)
Tel: (34) (0)972 49 32 00
Fax: (34) (0)972 49 32 20
contactsp@invacare.com

France:

Invacare Poirier SAS, Route de St Roch,
F-37230 Fondettes
Tel: (33) (0)2 47 62 64 66
Fax: (33) (0)2 47 42 12 24
contactfr@invacare.com

Switzerland:

Invacare AG,
Benkenstrasse 260, CH-4108 Witterswil
Tel: (41) (0)61 487 70 80
Fax: (41) (0)61 487 70 81
switzerland@invacare.com

Ireland:

Invacare Ireland Ltd, Unit 5 Seatown
Business Campus,
Seatown Road, Swords, County Dublin –
Ireland
Tel: (353) 1 810 7084
Fax: (353) 1 810 7085
ireland@invacare.com

Italia:

Invacare Mecc San s.r.l., Via dei Pini 62,
I-36016 Thiene (VI)
Tel: (39) 0445 38 00 59
Fax: (39) 0445 38 00 34
italia@invacare.com

Nederland:

Invacare BV, Celsiusstraat 46, NL-6716 BZ
Ede
Tel: (31) (0)318 695 757
Fax: (31) (0)318 695 758
nederland@invacare.com
csede@invacare.com

Norge:

Invacare AS, Grensesvingen 9, Postboks
6230, Etterstad, N-0603 Oslo
Tel: (47) (0)22 57 95 00
Fax: (47) (0)22 57 95 01
norway@invacare.com
island@invacare.com

Österreich:

Invacare Austria GmbH, Herzog
Odilostasse 101, A-5310 Mondsee
Tel: (43) 6232 5535 0
Fax: (43) 6232 5535 4
info@invacare-austria.com

Sverige & Suomi:

Invacare AB, Fagerstagatan 9,
S-163 91 Spånga
Tel: (46) (0)8 761 70 90
Fax: (46) (0)8 761 81 08
sweden@invacare.com
finland@invacare.com

United Kingdom:

Invacare Limited, Pencoed Technology
Park, Pencoed, Bridgend CF35 5HZ
Tel: (44) (0) 1656 776200
Fax: (44) (0) 1656 776201
Customer Services:
Tel: (44) (0) 1656 776222
Fax: (44) (0) 1656 776220
UK@invacare.com

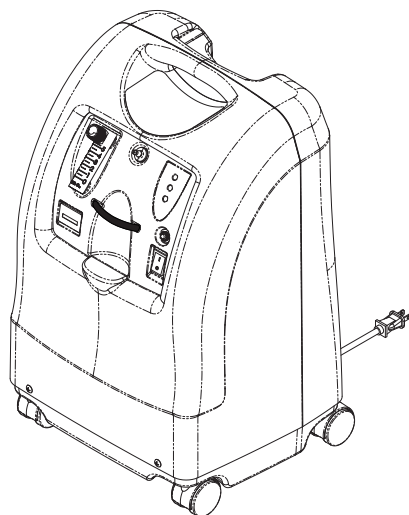
Portugal:

Invacare Lda,
Rua Estrada Velha, 949, P-4465-784 Leça do
Balio
Tel: (351) (0)225 1059 46/47
Fax: (351) (0)225 1057 39
portugal@invacare.com

Εγχειρίδιο Χειριστή

Perfecto₂[™] Series

Συγκεντρωτές Οξυγόνου χωρίς SensO₂[®],
Συγκεντρωτές Οξυγόνου με SensO₂[®],
Συμβατό με HomeFill[®]



Μοντέλο IRC5PO2AW
Μοντέλο IRC5PO2VAW

Μοντέλο IRC5PAW

Αντιπρόσωπος: Το παρόν εγχειρίδιο πρέπει να δίνεται στον ΤΕΛΙΚΟ χρήστη.

Χρήστης: ΠΡΙΝ από την χρήση του προϊόντος, διαβάστε αυτό το εγχειρίδιο και φυλάξτε το για μελλοντική αναφορά.

Για περισσότερες πληροφορίες σχετικά με τα προϊόντα της Invacare, τα εξαρτήματα και τις υπηρεσίες παρακαλούμε να επισκεφτείτε την διεύθυνση www.invacare.com



Yes, you can.®

ΠΡΟΕΙΔΟΠΟΙΗΣΗ

ΜΗΝ χρησιμοποιείτε αυτό το προϊόν ή οποιοδήποτε άλλο εναλλακτικό εξάρτημα χωρίς πρώτα να έχετε πλήρως διαβάσει και κατανοήσει αυτές τις οδηγίες και οποιοδήποτε συμπληρωματικό υλικό όπως τα εγχειρίδια κατόχου, τα εγχειρίδια τεχνικής υποστήριξης ή τα Φυλλάδια Οδηγιών τα οποία παρέχονται με αυτό το προϊόν ή εναλλάκτικο εξάρτημα. Εάν δε μπορείτε να κατανοήσετε τις προειδοποιήσεις, τις δηλώσεις προσοχής ή τις οδηγίες, επικοινωνήστε με έναν επαγγελματία νοσηλευτή, έναν αντιπρόσωπο ή με τεχνικό προσωπικό, πριν επιχειρήσετε τη χρήση του εξοπλισμού αυτού, διότι διαφορετικά, ενδέχεται να τραυματιστείτε ή να προκαλέσετε βλάβη.

ΠΡΟΕΙΔΟΠΟΙΗΣΗ ΕΞΑΡΤΗΜΑΤΩΝ

Τα προϊόντα της Invacare έχουν σχεδιαστεί και κατασκευαστεί ειδικά για χρήση σε συνδυασμό με τα συμπληρωματικά εξαρτήματα της Invacare. Εξαρτήματα που έχουν σχεδιαστεί από άλλους κατασκευαστές, δεν έχουν ελεγχθεί από την Invacare και δε συνιστώνται για χρήση με προϊόντα της Invacare.

ΣΥΜΠΛΗΡΩΜΑΤΙΚΑ ΕΞΑΡΤΗΜΑΤΑ

Υπάρχουν πολλοί διαφορετικοί τύποι υγραντήρων, σωλήνωσης οξυγόνου, κανουλών και μασκών που είναι δυνατόν να χρησιμοποιηθούν με τη συσκευή αυτή. Πρέπει να επικοινωνήσετε με την τοπική σας εταιρεία παροχής κατ' οίκον φροντίδας για συστάσεις σχετικά με το ποιές από τις συσκευές αυτές είναι οι πιο κατάλληλες για σας. Πρέπει επίσης να σας παράσχει συμβουλές σχετικά με τη σωστή χρήση, τη σωστή συντήρηση και τον σωστό καθαρισμό της συσκευής.

ΣΗΜΕΙΩΣΗ: Ενημερωμένες εκδόσεις αυτού του εγχειριδίου μπορείτε να βρείτε στο www.invacare.com.

ΠΊΝΑΚΑΣ ΠΕΡΙΕΧΟΜΈΝΩΝ

ΣΥΜΠΛΗΡΩΜΑΤΙΚΑ ΕΞΑΡΤΗΜΑΤΑ	162
ΕΙΔΙΚΕΣ ΣΗΜΕΙΩΣΕΙΣ	164
ΘΈΣΗ ΕΤΙΚΈΤΑΣ	166
ΕΝΟΤΗΤΑ 1—ΓΕΝΙΚΕΣ ΟΔΗΓΙΕΣ	167
Πληροφορίες Λειτουργίας.....	168
Παρεμβολή ραδιοσυχνοτήτων.....	169
ΕΝΟΤΗΤΑ 2—ΧΑΡΑΚΤΗΡΙΣΤΙΚΑ	170
ΕΝΟΤΗΤΑ 3—ΧΕΙΡΙΣΜΟΣ	171
Αποσυσκευασία	171
Επιθεώρηση	171
Φυλαξη.....	171
ΕΝΟΤΗΤΑ 4—ΤΕΧΝΙΚΉ ΠΕΡΙΓΡΑΦΉ	172
ΕΝΟΤΗΤΑ 5—ΤΥΠΙΚΕΣ ΠΑΡΑΜΕΤΡΟΙ ΠΡΟΪΟΝΤΟΣ ..	173
ΕΝΟΤΗΤΑ 6—ΟΔΗΓΙΕΣ ΛΕΙΤΟΥΡΓΙΑΣ	178
Εισαγωγή	178
Επιλογή θέσης	178
Ρύθμιση.....	179
Διακόπτης ρεύματος.....	182
Ρυθμός ροής	183
Ένδειξη Καθαρότητας Οξυγόνου SensO ₂ - Μοντέλο IRC5PO2AW & IRC5PO2VAW	184
Αρχική εκκίνηση του συμπυκνωτή	184
Επεξήγηση των Ενδεικτικών Λυχνίων - Μοντέλο IRC5PO2AW	185
Μετρητής χρόνου που παρήλθε (Μετρητής ωρών).....	186
ΕΝΟΤΗΤΑ 7—ΣΥΝΤΗΡΗΣΗ	187
Συντήρηση ρουτίνας.....	187
ΕΝΟΤΗΤΑ 8—ΟΔΗΓΟΣ ΑΝΤΙΜΕΤΩΠΙΣΗΣ ΠΡΟΒΛΗΜΑΤΩΝ	190
ΕΝΟΤΗΤΑ 9—ΠΡΟΑΙΡΕΤΙΚΑ ΕΞΑΡΤΗΜΑΤΑ	192
ΠΛΗΡΟΦΟΡΙΕΣ ΑΝΑΚΥΚΛΩΣΗΣ	193
ΠΕΡΙΟΡΙΣΜΕΝΗ ΕΓΓΥΗΣΗ	194

ΕΙΔΙΚΕΣ ΣΗΜΕΙΩΣΕΙΣ

Σε αυτό το εγχειρίδιο χρησιμοποιούνται λέξεις - σήματα και εφαρμόζονται σε κινδύνους ή μη ασφαλείς εκτελέσεις, οι οποίες θα μπορούσαν να οδηγήσουν σε σωματική ή υλική βλάβη. Ανατρέξτε στον ακόλουθο πίνακα για τους ορισμούς των λέξεων-σημάτων.

ΛΕΞΗ ΣΗΜΑ	ΣΗΜΑΣΙΑ
ΚΙΝΔΥΝΟΣ	Η λέξη κίνδυνος υποδηλώνει μια άμεσα επικίνδυνη κατάσταση η οποία, εάν δεν αποφευχθεί, θα έχει ως αποτέλεσμα θάνατο ή σοβαρό τραυματισμό.
ΠΡΟΕΙΔΟΠΟΙΗΣΗ	Η λέξη προειδοποίηση υποδεικνύει μια πιθανώς επικίνδυνη κατάσταση, η οποία, εάν δεν αποφευχθεί, θα ήταν δυνατόν να έχει ως αποτέλεσμα θάνατο ή σοβαρό τραυματισμό.
ΠΡΟΣΟΧΗ	Η λέξη Προσοχή υποδεικνύει μια πιθανώς επικίνδυνη κατάσταση, η οποία, εάν δεν αποφευχθεί, μπορεί να έχει ως αποτέλεσμα καταστροφή περιουσιακών στοιχείων ή ελαφρύ τραυματισμό ή και τα δύο.

ΕΙΔΟΠΟΙΗΣΗ

Οι πληροφορίες που περιέχονται στο παρόν έγγραφο υπόκεινται σε αλλαγή χωρίς ειδοποίηση.

ΚΙΝΔΥΝΟΣ

ΜΗΝ ΚΑΠΝΙΖΕΤΕ όταν χρησιμοποιείτε αυτή τη συσκευή. Διατηρήστε όλα τα σπέρτα, αναμμένα τσιγάρα ή άλλες πηγές ανάφλεξης εκτός του χώρου στον οποίον βρίσκεται αυτό το προϊόν και μακριά από χώρους στους οποίους παρέχεται οξυγόνο.

⚠ ΚΙΝΔΥΝΟΣ

Πρέπει να εμφανίζονται σε κυρίαρχη θέση πινακίδες με την ένδειξη “ΑΠΑΓΟΡΕΎΕΤΑΙ ΤΟ ΚΑΠΝΙΣΜΑ”. Υφάσματα και άλλα υλικά που κανονικά δε θα καίγονταν, αναφλέγονται εύκολα και καίγονται με μεγάλη ένταση σε αέρα εμπλουτισμένο με οξυγόνο. Εάν δεν τηρήσετε την προειδοποίηση αυτή, είναι δυνατόν να προκληθεί σοβαρή πυρκαγιά, υλική ζημιά και σωματική βλάβη ή θάνατος.

ΠΡΟΣΟΧΗ

"Προσοχή: Η πώληση της συσκευής αυτής μπορεί να επιτρέπεται από το νόμο μόνο όταν γίνεται από ιατρό ή κατόπιν εντολής ιατρού ή οποιουδήποτε άλλου ασκούμενου ιατρικού προσωπικού αδειοδοτημένου από τη νομοθεσία του κυβερνητικού οργανισμού στον οποίο ασκείται, να χρησ."

Η Invacare συνιστά μια εναλλακτική πηγή συμπληρωματικού οξυγόνου σε περίπτωση απώλειας ρεύματος, κατάστασης συναγερμού ή μηχανικής βλάβης. Συμβουλευτείτε τον ιατρό σας ή το άτομο που σας προμήθευσε με τον εξοπλισμό για τον τύπο του εφεδρικού συστήματος που απαιτείται.

Ο εξοπλισμός αυτός πρέπει να χρησιμοποιείται ως συμπλήρωμα οξυγόνου και δεν θεωρείται συσκευή υποστήριξης ή συντήρησης της ζωής.

ΘΈΣΗ ΕΤΙΚΈΤΑΣ

Perfecto₂TM

ΓΙΑ ΟΔΗΓΙΕΣ ΛΕΙΤΟΥΡΓΙΑΣ ή ΣΥΝΑΓΕΡΜΟΥΣ (Δείτε το Εγχειρίδιο Χειριστή)

ΠΡΟΣΟΧΗ - ΚΙΝΔΥΝΟΣ ΦΩΤΙΑΣ

⚠ ΜΗΝ ΚΑΠΝΙΖΕΤΕ - Διατηρήστε ΟΛΕΣ τις πηγές ανάφλεξης εκτός του χώρου στον οποίο βρίσκεται αυτό το προϊόν και μακριά από χώρους όπου διαχετεύεται οξυγόνο. Υφάσματα, λάδια και άλλα εύφλεκτα υλικά αναφλέγονται εύκολα και καίγονται με μεγάλη ένταση σε αέρα εμπλουτισμένο με οξυγόνο.

⚠ ΚΙΝΔΥΝΟΣ - ΗΛΕΚΤΡΟΣΟΚ
ΜΗΝ αφαιρείτε το σκέπασμα. Για σέρβις απευθυνθείτε στο εξειδικευμένο τεχνικό προσωπικό.

⚠ Ρυθμός ροής κάτω των 0.5 L/min θα πυροδοτήσουν το Συναγερμό Χαμηλής Ροής (ταχύ ηχητικό συναγερμό).

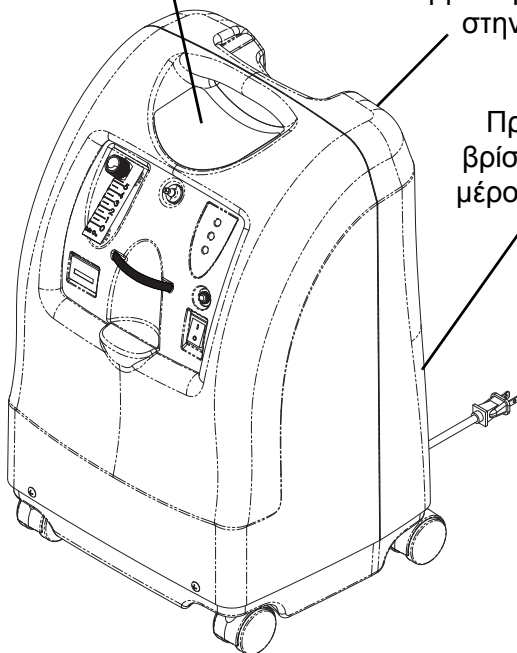
⚠ Κατά την πλήρωση των κυλίνδρων HomeFill® ρυθμίστε το Μετρητή Ροής στα 2.5 L/min ή χαμηλότερα.

HomeFill®
Συμβατό




Η Ετικέτα με τον Αριθμό Σειράς βρίσκεται στο συναρμολόγημα ταλαντωτή στην είσοδο

Η Ετικέτα Προσδιορισμού βρίσκεται στο πίσω μέρος προς τα κάτω



ΕΝΟΤΗΤΑ 1—ΓΕΝΙΚΕΣ ΟΔΗΓΙΕΣ

Προκειμένου να διασφαλιστεί η ασφαλής εγκατάσταση, συναρμολόγηση και λειτουργία του συμπυκνωτή Perfecto₂, ΠΡΕΠΕΙ να ακολουθήσετε τις παρακάτω οδηγίες.

⚠ ΠΡΟΕΙΔΟΠΟΙΗΣΗ

Η ενότητα αυτή περιέχει σημαντικές πληροφορίες για την ασφαλή λειτουργία και χρήση αυτού του προϊόντος.

⚠ ΚΙΝΔΥΝΟΣ

Κίνδυνος ηλεκτροπληξίας. ΜΗΝ αποσυναρμολογείτε. Για σέρβις απευθυνθείτε στο εξειδικευμένο τεχνικό προσωπικό. Δεν υπάρχουν μέρη που να μπορούν να επισκευαστούν από το χρήστη.

ΓΙΑ ΤΗ ΜΕΙΩΣΗ ΤΟΥ ΚΙΝΔΥΝΟΥ ΕΓΚΑΥΜΑΤΩΝ, ΗΛΕΚΤΡΟΠΛΗΞΙΑΣ, ΠΥΡΚΑΓΙΑΣ Ή ΤΡΑΥΜΑΤΙΣΜΟΥ ΣΕ ΑΤΟΜΑ.

Αποφεύγετε τη χρήση ενώ κάνετε μπάνιο. Αν, σύμφωνα με τη συνταγή του γιατρού, απαιτείται συνεχής χρήση, ο συμπυκνωτής ΠΡΕΠΕΙ να τοποθετείται σε ξεχωριστό δωμάτιο σε απόσταση τουλάχιστον 2,5 m (7 πόδια) από το μπάνιο.

ΜΗΝ έρχεστε σε επαφή με το συμπυκνωτή ενώ είστε βρεγμένοι. ΜΗΝ τοποθετείτε και μη φυλάσσετε το προϊόν όπου μπορεί να πέσει σε νερό ή σε άλλο υγρό.

ΜΗΝ προσπαθείτε να πιάσετε ένα προϊόν που έχει πέσει στο νερό. Αποσυνδέστε το ΑΜΕΣΩΣ από την πρίζα.

Εάν το καλώδιο ή το βύσμα του συμπυκνωτή έχει υποστεί ζημιά ή εάν ο συμπυκνωτής δεν λειτουργεί σωστά, έχει πέσει ή υποστεί ζημιά ή έχει πέσει μέσα σε νερό, επικοινωνήστε με ειδικευμένο τεχνικό για εξέταση και επισκευή.

⚠ ΚΙΝΔΥΝΟΣ

Εάν έλθουν σε επαφή έλαιο, λίπος ή λιπαρές ουσίες με οξυγόνο υπό πίεση, ενδέχεται να συμβεί αυτόματα και βίαιη ανάφλεξη. Οι ουσίες αυτές ΠΡΕΠΕΙ να διατηρούνται μακριά από το συμπυκνωτή οξυγόνου, τη σωλήνωση και τις συνδέσεις, καθώς και κάθε άλλο εξοπλισμό οξυγόνου. ΜΗΝ χρησιμοποιείτε οποιαδήποτε λιπαντικά, εκτός εάν συνιστάται ρητά από την Invacare.

Αποφεύγετε τη δημιουργία οποιοδήποτε σπινθήρα κοντά σε ιατρικό εξοπλισμό οξυγόνου. Αυτό περιλαμβάνει σπινθήρες από στατικό ηλεκτρισμό που έχει δημιουργηθεί από οποιοδήποτε τύπο τριβής.

Πληροφορίες Λειτουργίας

Για βέλτιστη απόδοση, η Invacare συνιστά κάθε συμπυκνωτή να έχει τεθεί σε λειτουργία και να λειτουργεί επί 30 λεπτά τουλάχιστον κάθε φορά. Βραχύτερες περιόδους λειτουργίας ενδέχεται να μειώσουν τη μέγιστη διάρκεια ζωής του προϊόντος.

Προσέξτε ώστε η σωλήνωση του οξυγόνου, το καλώδιο και η μονάδα να μην καλύπτονται από αντικείμενα όπως κουβέρτες, σκεπάσματα, μαξιλαράκια καρέκλας, ρούχα και να βρίσκονται μακριά από θερμενόμενες ή ζεστές επιφάνειες, όπως θερμάστρες, φούρνοι και παρόμοιες ηλεκτρικές συσκευές.

ΜΗΝ μετακινείτε ή αλλάζετε θέση στο συμπυκνωτή τραβώντας το καλώδιο του ρεύματος.

Μην ρίχνετε ΠΟΤΕ ή μην εισάγετε οποιοδήποτε αντικείμενο ή υγρό σε οποιοδήποτε άνοιγμα.

Η Invacare συνιστά τη χρήση σωλήνωσης οξυγόνου Crush-Proof με αυτό το προϊόν, η οποία δεν θα πρέπει να ξεπερνά τα 15,2 (50 ft) σε μήκος. Δεν υπάρχουν μέρη που να μπορούν να επισκευαστούν από το χρήστη.

Αυτό δεν περιλαμβάνει μέρη που σχετίζονται με τη φυσιολογική συντήρηση. Δείτε την ενότητα που αφορά στη συντήρηση για τα μέρη που μπορεί να συντηρήσει ο χρήστης.

Μην αφήνετε ΠΟΤΕ ένα προϊόν χωρίς επίβλεψη όταν είναι συνδεδεμένο στην πρίζα. Να βεβαιώνετε ότι το Perfecto₂ είναι απενεργοποιημένο όταν δεν είναι σε χρήση.

Είναι απαραίτητη η προσεκτική επίβλεψη όταν χρησιμοποιείται το προϊόν αυτό κοντά σε παιδιά ή σε άτομα με ειδικές ανάγκες.

Μπορεί να απαιτείται επιπλέον παρακολούθηση ή προσοχή για ασθενείς που χρησιμοποιούν το προϊόν αλλά δεν είναι σε θέση να ακούσουν ή να δουν τους συναγερμούς ή να εκφράσουν τη δυσφορία τους.

ΜΗ συνδέετε το συμπυκνωτή παράλληλα ή σε σειρά με άλλους συμπυκνωτές οξυγόνου ή συσκευές θεραπείας με οξυγόνο.

Παρεμβολή ραδιοσυχνοτήτων

Ο εξοπλισμός αυτός έχει ελεγχθεί και έχει βρεθεί ότι συμμορφώνεται σε τα όρια EMC που ορίζονται από το IEC/EN 60601-1-2. Τα όρια αυτά έχουν σχεδιαστεί για να παρέχουν εύλογη προστασία έναντι ηλεκτρομαγνητικών παρεμβολών σε μια τυπική ιατρική εγκατάσταση.

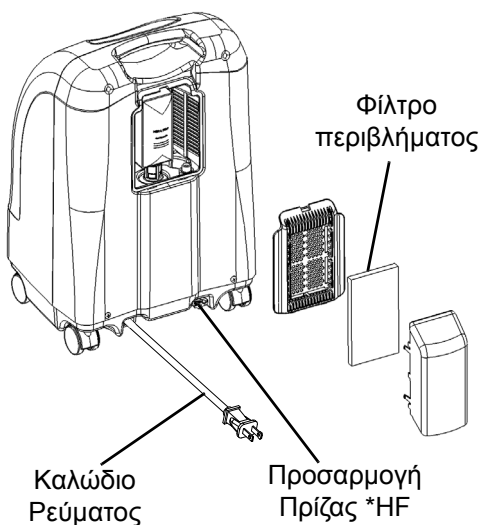
Άλλες συσκευές μπορεί να εμφανίσουν παρεμβολές ακόμα και από τα χαμηλά επίπεδα ηλεκτρομαγνητικών εκπομπών που επιτρέπονται από τα πρότυπα αναφέρθηκαν παραπάνω. Για να καθοριστεί αν οι εκπομπές του Perfecto₂ προκαλούν παρεμβολές, απενεργοποιήστε το Perfecto₂. Αν οι παρεμβολές με άλλη(ες) συσκευή(ες) σταματήσε(ουν), τότε το Perfecto₂ προκαλεί την παρεμβολή. Σε τέτοιες σπάνιες περιπτώσεις, οι παρεμβολές μπορεί να μειωθούν ή να διορθωθούν με ένα από τα ακόλουθα μέτρα:

- Επανατοποθετήστε, αλλάξτε τη θέση ή αυξήστε τη απόσταση ανάμεσα στον εξοπλισμό.
- Συνδέστε τον εξοπλισμό σε πρίζα διαφορετική από αυτή στην οποία είναι συνδεδεμένη η(οι) άλλη(ες) συσκευή(ες).

ΕΝΟΤΗΤΑ 2—ΧΑΡΑΚΤΗΡΙΣΤΙΚΑ



ΟΠΙΣΘΙΑ Όψη



***ΣΗΜΕΙΩΣΗ:** Αυτό το εξάρτημα στομίου εξόδου πρέπει να χρησιμοποιείται μόνο για την πλήρωση κυλίνδρων οξυγόνου με τον οικιακό συμπιεστή οξυγόνου HomeFill. Το εξάρτημα στομίου εξόδου δεν επηρεάζει την απόδοση του συμπυκνωτή. Ανατρέξτε στο εγχειρίδιο χρήσης του HomeFill, κωδικός είδους 1145805, για οδηγίες σύνδεσης και λειτουργίας. Όταν δε χρησιμοποιείται, το βύσμα που παρέχεται με το συμπυκνωτή πρέπει να εισάγεται στο εξάρτημα στομίου εξόδου. Για περισσότερες πληροφορίες σχετικά με το HomeFill, επικοινωνήστε με τον εμπορικό αντιπρόσωπο της Invacare.

ΕΝΟΤΗΤΑ 3—ΧΕΙΡΙΣΜΟΣ

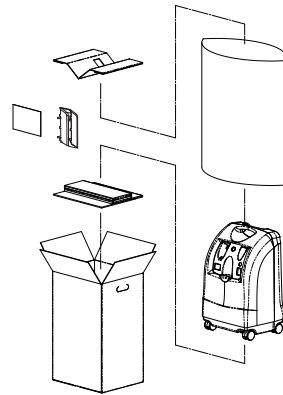
Ο συμπυκνωτής θα πρέπει να διατηρείται ΠΑΝΤΟΤΕ σε όρθια θέση, έτσι ώστε να αποτραπεί τυχόν πρόκληση ζημιάς στο περίβλημα κατά τη μεταφορά του.

Αν ο συμπυκνωτής πρόκειται να επαναποσταλεί με κοινό courier, επιπλέον χάρτινα κουτιά διατίθενται από την Invacare.

Αποσυσκευασία

ΣΗΜΕΙΩΣΗ: Για τη διαδικασία αυτή, ανατρέξτε στην ΕΙΚΟΝΑ 3.1.

1. Ελέγξτε για τυχόν εμφανή ζημιά στο χαρτονένιο κουτί ή στο περιεχόμενό του. Αν η βλάβη είναι εμφανής, ενημερώστε τη μεταφορική εταιρία ή τον εμπορικό αντιπρόσωπο της περιοχής σας.
2. Αφαιρέστε όλη τη χαλαρή συσκευασία από το χαρτονένιο κουτί.
3. Αφαιρέστε προσεκτικά όλα τα εξαρτήματα από το χαρτονένιο κουτί.



ΕΙΚΟΝΑ 3.1
Αποσυσκευασία

ΣΗΜΕΙΩΣΗ: Με εξαίρεση την περίπτωση όπου ο συμπυκνωτής οξυγόνου πρόκειται να χρησιμοποιηθεί ΑΜΕΣΑ, αφήστε το συμπυκνωτή αποθηκευμένο στη συσκευασία του μέχρι να χρειαστεί να τον χρησιμοποιήσετε.

Επιθεώρηση

1. Επιθεωρήστε/Εξετάστε την εξωτερική επιφάνεια του συμπυκνωτή οξυγόνου για τυχόν εγκοπές, οδοντώσεις, γρατσουνιές ή άλλες ζημιές. Επιθεωρήστε όλα τα εξαρτήματα.

Φυλαξη

1. Φυλάσσετε τον ανασυσκευασμένο συμπυκνωτή οξυγόνου σε ξηρό χώρο.
2. ΜΗΝ τοποθετείτε αντικείμενα πάνω από τον ανασυσκευασμένο συμπυκνωτή.

ΕΝΟΤΗΤΑ 4—ΤΕΧΝΙΚΉ ΠΕΡΙΓΡΑΦΉ

Ο συμπυκνωτής Perfecto₂ της Invacare χρησιμοποιείται από ασθενείς με αναπνευστικές διαταραχές που χρειάζονται συμπληρωματικό οξυγόνο. Η συσκευή δεν προορίζεται για να επιμηκύνει ή να υποστηρίξει τη ζωή.








Το επίπεδο συγκέντρωσης οξυγόνου του παραγόμενου αερίου ποικίλει από 87% έως 95,6%. Το οξυγόνο παρέχεται στον ασθενή μέσω της χρήσης μιας ρινικής κάνουλας.

Ο συμπυκνωτής Perfecto₂ της Invacare χρησιμοποιεί τεχνολογία μοριακού φιλτραρίσματος και προσρόφησης με εναλλαγή πίεσης για να παράξει το παραγόμενο αέριο οξυγόνο. Ο ατμοσφαιρικός αέρας εισάρχεται στη συσκευή, φιλτράρεται και στη συνέχεια συμπυκνώνεται. Αυτός ο συμπυκνωμένος αέρας στη συνέχεια κατευθύνεται προς το ένα από τα δύο πεδία φιλτραρίσματος προσροφήσεως αζώτου. Το συμπυκνωμένο οξυγόνο βγαίνει από την άλλη πλευρά του ενεργού πεδίου φιλτραρίσματος και κατευθύνεται προς μια δεξαμενή οξυγόνου απ' όπου παρέχεται στον ασθενή.

Ο συμπυκνωτής Perfecto₂ της Invacare δύναται να χρησιμοποιηθεί από τον ασθενή στο σπίτι ή σε περιβάλλον νοσηλείας. Η συσκευή λειτουργεί σε ονομαστική παροχή 230 VAC/50 Hertz.

Πληροφορίες σέρβις θα είναι διαθέσιμες κατόπιν αιτήματος σε αρμόδιο τεχνικό προσωπικό μόνο.

ΕΝΟΤΗΤΑ 5—ΤΥΠΙΚΕΣ ΠΑΡΑΜΕΤΡΟΙ ΠΡΟΪΟΝΤΟΣ

	Εναλλασσόμενο ρεύμα
	Εξοπλισμός τύπου BF
	Μονάδα σε λειτουργία
	Μονάδα εκτός λειτουργίας
	Προσοχή - Συμβουλευτείτε τα συνοδευτικά έγγραφα
	ΜΗΝ καπνίζετε
	Κατηγορία II, διπλή μόνωση
IPX1	Προστατευμένο έναντι βρεξίματος με νερό
Απαιτήσεις ηλεκτρικού ρεύματος:	230 VAC ± 10% (253 VAC/207 VAC), 50 Hz
Ονομαστική είσοδος ρεύματος:	1.4 A
Επίπεδο ήχου:	39,5 dBA κατά μέσο όρο
Υψόμετρο:	<p>Κάθε perfecto2 μοντέλο: πάνω από 2438 μετρητές (8.000 ποδών) ανωτέρω επίπεδο της θάλασσας χωρίς υποβάθμιση των επιπέδων συγκέντρωσης, από 2438 μετρητές (8.000 ποδών) έως 4000 μετρητές (13,129 ποδών) κάτω του 90% αποτελεσματικότητας.</p> <p>Κάθε perfecto2 μοντέλο ενώ πληρώσεως μιας homefill σύστημα: μέχρι και 1828 μετρητές (6.000 ποδών) ανωτέρω επίπεδο της θάλασσας χωρίς υποβάθμιση των επιπέδων συγκέντρωσης, από 1828 μετρητές (6.000 ποδών) σε 4000 μετρητές (13,129 FT) κάτω του 90% αποτελεσματικότητας.</p>

ΕΝΟΤΗΤΑ 5—ΤΥΠΙΚΕΣ ΠΑΡΑΜΕΤΡΟΙ ΠΡΟΪΟΝΤΟΣ

Επίπεδα Συγκέντρωσης Παραγόμενου Οξυγόνου: <i>NOTE: Τα αναγραφόμενα επίπεδα συγκέντρωσης επιτεύχθηκαν μετά από αρχική περίοδο προθέρμανσης (περίπου 30 λεπτά).</i>	87% έως 95,6% σε 0,5 έως 5 L/min 93% ± 3% at 2 L/min
Μέγιστη πίεση στομίου εξόδου:	34.5 kPa ± 3.45 kPa (5 psi ± 0.5 psi)
Εύρος ροής:	0,5 έως 5 L/min (μέγιστο) Για συχνότητα ροής μικρότερη από 1 L/min, συστήνουμε τη χρήση του Παιδιατρικού Εξαρτήματος Μετρητή Ροής της Invacare (IRCPF16AW)
Συναγερμός χαμηλής ροής:	0 L/min έως 0,5 L/min Ταχείς ήχοι μπιπ συναγερμού (Χωρίς αξεσουάρ)
Μέση ισχύς Κατανάλωση:	Perfecto ₂ AW - 300 W @ 5 L/min, 280 W @ 3 L/min Perfecto ₂ VAW - 320 W @ 5 L/min
Μηχανισμός ανακούφισης πίεσης σε λειτουργία στα:	241 kPa ± 24.1 kPa (35 psi ± 3.5 psi)
Αλλαγή στη μέγιστη συνιστώμενη ροή όταν εφαρμόζεται ανάστροφη πίεση 7k Pa:	0.7 L/min
Φίλτρα:	Περίβλημα (2), HEPA στομίου εξόδου και στόμιο εισόδου συμπιεστή



ΕΝΟΤΗΤΑ 5—ΤΥΠΙΚΕΣ ΠΑΡΑΜΕΤΡΟΙ ΠΡΟΪΟΝΤΟΣ

Σύστημα ασφάλειας:	Τερματισμός λειτουργίας λόγω υπερφόρτωσης ρεύματος ή υπέρτασης γραμμής Τερματισμός λειτουργίας συμπίεστη λόγω υψηλής θερμοκρασίας Τερματισμός λειτουργίας συμπτικνωτή λόγω συναγερμού υψηλής πίεσης Τερματισμός λειτουργίας συμπτικνωτή λόγω συναγερμού χαμηλής πίεσης Συναγερμός διακοπής ρεύματος χωρίς μπαταρία Συναγερμός χαμηλής ροής του συστήματος οξυγόνου SensO ₂ (μοντέλο SensO ₂)
Πλάτος:	38.1 cm ± 1 cm (15 in ± 3/8 in)
Ύψος:	58.4 cm ± 1 cm (23 in ± 3/8 in)
Βάθος:	30.5 cm ± 1 cm (12 in ± 3/8 in)
Βάρος:	Perfecto ₂ AW Μοντέλο - 20.5 kg ± 1 kg (45 lbs ± 2 lbs) Perfecto ₂ VAW Μοντέλο - 18.1 kg ± 1 kg (40 lbs ± 2 lbs)
Βάρος αποστολής:	Perfecto ₂ AW Μοντέλο - 22.7 kg ± 1 kg (50 lbs ± 2 lbs) Perfecto ₂ VAW Μοντέλο - 20.4 kg ± 1 kg (45 lbs ± 2 lbs)
Θερμοκρασία περιβάλλοντος σε λειτουργία:	10 °C - 35 °C (50 °F - 95 °F) σε σχετική υγρασία 20-60%
Θερμοκρασία αέρα ψύξης στην έξοδο:	Μικρότερη από τη θερμοκρασία περιβάλλοντος +19 °C (+ 35 °F)
Θερμοκρασία παραγόμενου οξυγόνου:	Μικρότερη από τη θερμοκρασία περιβάλλοντος +2 °C (+ 4 °F)
Περιβλημα:	Ανθεκτικό στις κρούσεις και επιβραδυντικό στην πυρκαγιά περίβλημα που συμμορφώνεται με το UL 94-V0
Χωρίς AP/APG	Ακατάλληλο για χρήση παρουσία εύφλεκτου αναισθητικού μείγματος
Πρότυπα και καταγραφή ρυθμιστικών απαιτήσεων:	IRC5PO2AW/IRC5PAW/IRCPO2VAW: IEC/EN 60601-1, A1, A2 IEC/EN 60601-1-2, IEC/EN61000-3-2, IEC/EN61000-3-3 Μόνο για τα μοντέλα IRC5PO2AW/IRC5PO2VAW: ISO8359 MDD 93/42/EEC, Παράρτημα I και IX
Μοντέλα με σήμανση CE	IRC5PO2AW & IRCPO2VAW


ΕΝΟΤΗΤΑ 5—ΤΥΠΙΚΕΣ ΠΑΡΑΜΕΤΡΟΙ ΠΡΟΪΟΝΤΟΣ

Ηλεκτρικό ρεύμα:	Χωρίς καλώδια προέκτασης
Τοποθέτηση:	Όχι κοντύτερα από 7,5 cm (3 ίντσες) από οποιοδήποτε τοίχο, έπιπλο ή κουρτίνα για να διασφαλιστεί επαρκής ροή αέρα Αποφεύγετε χαλιά με βαθύ πέλους και θερμομαντήρες, καλοριφέρ ή αερόθερμα Τοποθέτηση μόνο στο πάτωμα Σε μη περιορισμένους χώρους (Παράδειγμα: ΌΧΙ σε ντουλάπια)
Σωλήνωση:	Κάνουλα 2,1 m (7 ft) με σωλήνωση με προστασία από σύνθλιψη μέγιστου μήκους 15 m (50 ft) (ΜΗΝ συσφίγγετε)
Χρόνος λειτουργίας:	Έως 24 ώρες την ημέρα
Συνιστώμενη θερμοκρασία φύλαξης και αποστολής:	-29 °C έως 65 °C (-20 °F έως 150 °F) σε σχετική υγρασία 15-95%
Περιβάλλον:	Χωρίς καπνό και αιθάλη Σε μη περιορισμένους χώρους (Παράδειγμα: ΌΧΙ σε ντουλάπια)
Ελάχιστος χρόνος λειτουργίας:	30 λεπτά

ΔΕΪΚΤΕΣ IRC5PO2AW & IRC5PO2VAW

ΣΥΜΒΟΛΟ ΕΤΙΚΕΤΑΣ	ΚΑΘΑΡΟΤΗΤΑ O ₂	ΕΝΔΕΙΚΤΙΚΕΣ ΛΥΧΝΙΕΣ (LED)
O ₂	ΤΟ ΣΥΣΤΗΜΑ ΛΕΙΤΟΥΡΓΕΙ ΚΑΝΟΝΙΚΑ O ₂ μεγαλύτερο από 85% (± 2%)	ΠΡΑΣΙΝΗ ενδεικτική λυχνία
	O ₂ μεταξύ 73% (± 3%) και 85% (±2%)	ΚΙΤΡΙΝΗ ενδεικτική λυχνία Α. ΚΙΤΡΙΝΗ σταθερά αναμμένη Β. ΚΙΤΡΙΝΗ που αναβοσβήνει, βλάβη Βλάβη Επικοινωνήστε με ειδικευμένο τεχνικό.
	ΒΛΑΒΗ ΤΟΥ ΣΥΣΤΗΜΑΤΟΣ O ₂ μικρότερο από 73% (± 3%)	ΚΟΚΚΙΝΗ ενδεικτική λυχνία Τερματισμός λειτουργίας του συμπυκνωτή Sieve-GARD λόγω συνεχούς ηχητικού συναγερμού

ΔΕΪΚΤΕΣ IRC5PAW

ΣΥΜΒΟΛΟ ΕΤΙΚΕΤΑΣ	ΚΑΤΑΣΤΑΣΗ	ΕΝΔΕΙΚΤΙΚΕΣ ΛΥΧΝΙΕΣ (LED)
I/O	ΤΟ ΣΥΣΤΗΜΑ ΛΕΙΤΟΥΡΓΕΙ ΚΑΝΟΝΙΚΑ	ΠΡΑΣΙΝΗ ενδεικτική λυχνία
	ΒΛΑΒΗ ΤΟΥ ΣΥΣΤΗΜΑΤΟΣ	ΚΟΚΚΙΝΗ ενδεικτική λυχνία Συνεχής ηχητικός συναγερμός-Τερματισμός λειτουργίας του συμπυκνωτή Sieve-GARD™ Επικοινωνήστε με ειδικευμένο τεχνικό.

ΕΝΟΤΗΤΑ 6—ΟΔΗΓΙΕΣ ΛΕΙΤΟΥΡΓΙΑΣ

Εισαγωγή

Ο συμπυκνωτής οξυγόνου σας προορίζεται για ατομική χρήση. Είναι μια συσκευή που λειτουργεί ηλεκτρονικά, η οποία διαχωρίζει το οξυγόνο από τον αέρα του δωματίου. Παρέχει υψηλή συγκέντρωση οξυγόνου απευθείας σε σας, μέσω ρινικής κάνουλας. Κλινικές μελέτες έχουν τεκμηριώσει ότι οι συμπυκνωτές οξυγόνου είναι ισοδύναμες θεραπευτικά με άλλους τύπους συστημάτων χορήγησης οξυγόνου.

Ο προμηθευτής σας θα σας δείξει τον τρόπο χρήσης του συμπυκνωτή σας. Πρέπει να επικοινωνήσετε μαζί του για τυχόν ερωτήσεις ή προβλήματα σχετικά με το συμπυκνωτή οξυγόνου σας. Αυτό το εγχειρίδιο κατόχου θα σας εξηγήσει τη λειτουργία του συμπυκνωτή σας και θα οδηγήσει ως οδηγός αναφοράς κατά τη χρήση του.

Επιλογή θέσης

ΠΡΟΕΙΔΟΠΟΙΗΣΗ

Μην αποφράσσετε ΠΟΤΕ τα ανοίγματα αέρος του προϊόντος και μην το τοποθετείτε πάνω σε μαλακή επιφάνεια, όπως κρεβάτι ή καναπέ, όπου τα ανοίγματα αέρος ενδέχεται να αποφραχθούν. Διατηρείτε τα ανοίγματα χωρίς χνούδι, τρίχες και παρόμοια υλικά.

Διατηρείτε τη μονάδα σε απόσταση τουλάχιστον 7,5 cm (3 in) μακριά από τοίχους, κουρτίνες, έπιπλα και παρόμοια υλικά.

Μπορείτε να επιλέξετε ένα δωμάτιο στο σπίτι σας, όπου η χρήση του συμπυκνωτή οξυγόνου σας θα είναι ιδιαίτερα βολική. Ο συμπυκνωτής σας μπορεί να κυλήσει εύκολα από δωμάτιο σε δωμάτιο στις ρόδες του.

Ο συμπυκνωτής οξυγόνου σας θα λειτουργήσει βέλτιστα όταν χρησιμοποιηθεί σύμφωνα με τις συνθήκες που περιγράφονται στο **ΤΥΠΙΚΕΣ ΠΑΡΑΜΕΤΡΟΙ ΠΡΟΪΟΝΤΟΣ** στη σελίδα 173. Χρήση σε περιβάλλοντα διαφορετικά από εκείνα που περιγράφονται ενδέχεται να έχει ως αποτέλεσμα την ανάγκη για αυξημένη συντήρηση του εξοπλισμού. Η εισροή αέρα της μονάδας πρέπει να βρίσκεται σε καλά αεριζόμενο χώρο, έτσι ώστε να αποφευχθούν ρύποι που μεταφέρονται με τον αέρα ή/και αναθυμιάσεις. ΜΗΝ χρησιμοποιείται σε ντουλάπα.

Ρύθμιση

1. Συνδέστε το καλώδιο ρεύματος σε ηλεκτρική πρίζα.
2. Σύνδεση υγραντήρα (Εάν έχει συνταγογραφηθεί)

⚠ ΠΡΟΕΙΔΟΠΟΙΗΣΗ

ΜΗ γεμίζετε υπερβολικά τον υγραντήρα.

ΜΗΝ αντιστρέψετε τις συνδέσεις εισόδου και εξόδου του οξυγόνου. Το νερό από τη φιάλη του υγραντήρα θα μετακινηθεί μέσω της κάνουλας και θα επιστρέψει στον ασθενή.

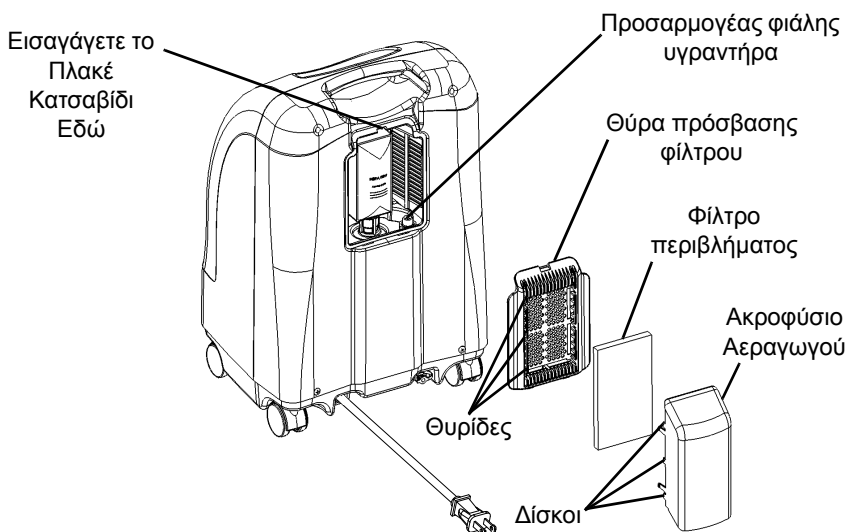
ΣΗΜΕΙΩΣΗ: Για τη διαδικασία αυτή, αναφερθείτε στην ΕΙΚΟΝΑ 6.1, ΕΙΚΟΝΑ 6.2 στη σελίδα 180, ΕΙΚΟΝΑ 6.3 στη σελίδα 182.

1. Αφαιρέστε το καπάκι από τη φιάλη.
2. Γεμίστε τον υγραντήρα με απεσταγμένο νερό έως το επίπεδο που υποδεικνύεται από τον κατασκευαστή. Επανατοποθετήστε το πώμα του υγραντήρα και σφίξτε το σταθερά.



ΕΙΚΟΝΑ 6.1 Πλήρωση του υγραντήρα

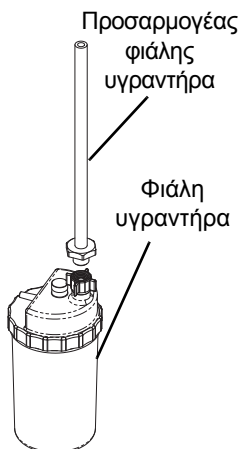
3. Εισαγάγετε ένα πλακέ κατσαβίδι στην αύλακα της πλάκας στην άνω άκρη της θύρας πρόσβασης φίλτρου και ανοίξτε απαλά τη θύρα (ΕΙΚΟΝΑ 6.2).
4. Τραβήξτε προς τα επάνω και αφαιρέστε τον προσαρμογέα της φιάλης υγραντήρα (ΕΙΚΟΝΑ 6.2).
5. Αντικαταστήστε τη θύρα πρόσβασης φίλτρου και εγκαταστήστε το ακροφύσιο αεραγωγού πάνω στη θύρα πρόσβασης φίλτρου εισάγοντας τους έξι δίσκους στο ακροφύσιο αεραγωγού στις έξι θυρίδες στα πλευρά της θύρας πρόσβασης φίλτρου.



ΕΙΚΟΝΑ 6.2 Προσαρμογέας Φιάλης Υγραντήρα

6. Προσαρμόστε τον προσαρμογέα φιάλης υγραντήρα στη φιάλη υγραντήρα περιστρέφοντας το πτερυγωτό περικόχλιο στη φιάλη του υγραντήρα με φορά αντίστροφη από αυτή των δεικτών του ρολογιού μέχρι να ασφαλίσει. Δείτε Λεπτομέρεια "Α" στο. ΕΙΚΟΝΑ 6.3.
7. Τοποθετήστε τη φιάλη του υγραντήρα/συναρμολόγημα προσαρμογέα στο διαμέρισμα του υγραντήρα στο συμπυκνωτή. Δείτε Λεπτομέρεια "Β" στο. ΕΙΚΟΝΑ 6.3.
8. Προσαρμόστε τη σωλήνωση του οξυγόνου από τη φιάλη του υγραντήρα/συναρμολόγημα προσαρμογέα στο σύνδεσμο εξόδου οξυγόνου στο συμπυκνωτή. Δείτε Λεπτομέρεια "Β" στο. ΕΙΚΟΝΑ 6.3.
9. Προσαρτήστε την κάνουλα/σωλήνωση παροχής ασθενούς στο στόμιο εξόδου της φιάλης υγραντήρα. Δείτε Λεπτομέρεια "Β" στο. ΕΙΚΟΝΑ 6.3.
10. Μετά τη συναρμολόγηση, βεβαιωθείτε ότι το οξυγόνο ρέει μέσω της κάνουλας.

ΛΕΠΤΟΜΕΡΕΙΑ “Α”



ΛΕΠΤΟΜΕΡΕΙΑ “Β”



ΕΙΚΟΝΑ 6.3 Διαμέρισμα υγραντήρα

Διακόπτης ρεύματος

ΣΗΜΕΙΩΣΗ: Για τη διαδικασία αυτή, ανατρέξτε στην ΕΙΚΟΝΑ 6.4.

1. Πιέστε το διακόπτη ρεύματος στη θέση έναρξης Λειτουργίας. Όλες οι ενδεικτικές λυχνίες του πίνακα και ο ηχητικός συναγερμός θα ενεργοποιηθούν για ένα δευτερόλεπτο, υποδεικνύοντας ότι η μονάδα λειτουργεί κανονικά.



ΕΙΚΟΝΑ 6.4 Διακόπτης ρεύματος

Ρυθμός ροής

ΣΗΜΕΙΩΣΗ: Για τη διαδικασία αυτή, αναφερθείτε στην ΕΙΚΟΝΑ 6.5.

ΣΗΜΕΙΩΣΗ: Προσέχετε έτσι ώστε να μη ρυθμίσετε τη ροή πάνω από τον ΚΟΚΚΙΝΟ δακτύλιο. Ροή οξυγόνου μεγαλύτερη από 5 L/min θα μειώσει τη συμπύκνωση του οξυγόνου.

1. Γυρίστε το κουμπί ρυθμού ροής στη ρύθμιση που έχει συνταγογραφηθεί από τον ιατρό ή το θεραπευτή σας.

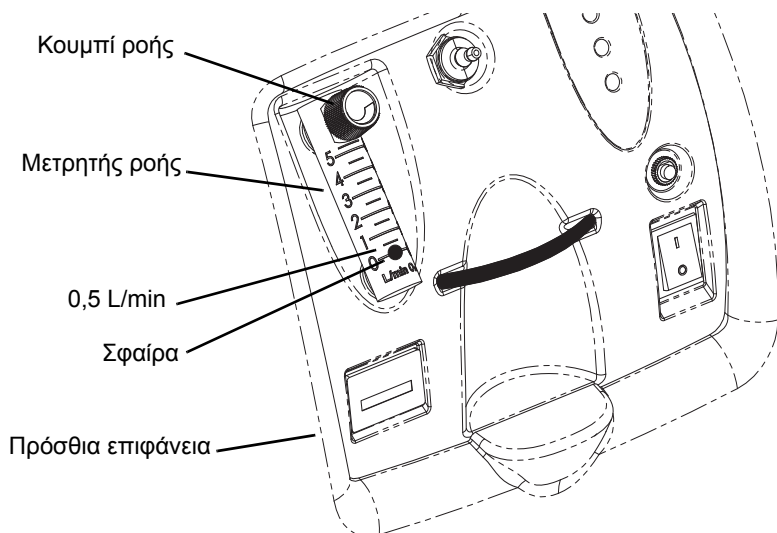
⚠ ΠΡΟΕΙΔΟΠΟΙΗΣΗ

ΜΗΝ αλλάζετε τη ρύθμιση L/min. στο μετρητή ροής, εκτός εάν έχει συνταγογραφηθεί αλλαγή από τον ιατρό ή το θεραπευτή σας.

ΣΗΜΕΙΩΣΗ: ΤΓια να διαβάσετε σωστά το μετρητή ροής, εντοπίστε τη συνταγογραφημένη γραμμή ρυθμού ροής στο μετρητή ροής. Κατόπιν, γυρίστε το κουμπί ροής έως ότου η σφαίρα ανυψωθεί έως τη γραμμή. Στη συνέχεια, κεντράρετε τη σφαίρα στη γραμμή L/min που έχει συνταγογραφηθεί.

2. Εάν ο ρυθμός ροής στο μετρητή ροής μειωθεί ποτέ κάτω από τα 0,5 L/min για περισσότερο από ένα λεπτό περίπου, θα ενεργοποιηθεί ο συναγερμός ΧΑΜΗΛΗΣ ΡΟΗΣ. Αυτός είναι μια ταχεία σειρά ήχων μπιπ του ηχητικού συναγερμού. Ελέγξτε τη σωλήνωσή σας ή τα παρελκόμενα για τυχόν φραγμένη ή στρεβλωμένη σωλήνωση ή ελαττωματική φιάλη υγραντήρα. Μετά την αποκατάσταση του ρυθμού ροής σε τιμή μεγαλύτερη από τα 0,5 L/min, θα απενεργοποιηθεί ο ηχητικός συναγερμός ΧΑΜΗΛΗΣ ΡΟΗΣ.

ΣΗΜΕΙΩΣΗ: Η χρήση μερικών παρελκομένων όπως η βάση στήριξης παιδιατρικού μετρητή ροής και του συμπιεστή HomeFill θα απενεργοποιήσει το συναγερμό χαμηλής ροής.



ΕΙΚΟΝΑ 6.5 Ρυθμός ροής

Ένδειξη Καθαρότητας Οξυγόνου SensO₂ - Μοντέλο IRC5PO2AW & IRC5PO2VAW

Η λειτουργία αυτή παρακολουθεί την καθαρότητα του οξυγόνου που δημιουργείται από το συμπυκνωτή οξυγόνου. Εάν η καθαρότητα μειωθεί κάτω από τα εργοστασιακά προκαθορισμένα πρότυπα, θα ανάψουν οι ενδεικτικές λυχνίες στον πίνακα ελέγχου.

Αρχική εκκίνηση του συμπυκνωτή

ΣΗΜΕΙΩΣΗ: Ο συμπυκνωτής μπορεί να χρησιμοποιηθεί κατά τη διάρκεια του χρόνου προθέρμανσης αρχικής έναρξης (περίπου 30 min.), ενώ αναμένετε για να φθάσει η καθαρότητα του O₂ σε μέγιστο επίπεδο.

Όταν η μονάδα τεθεί σε λειτουργία, θα ανάψει η ΠΡΑΣΙΝΗ ενδεικτική λυχνία (ΚΑΝΟΝΙΚΗ ΛΕΙΤΟΥΡΓΙΑ ΣΥΣΤΗΜΑΤΟΣ/ O₂ μεγαλύτερο από 85%). Μετά από 5 λεπτά, ο αισθητήρας οξυγόνου θα λειτουργεί κανονικά και θα ελέγξει τις ενδεικτικές λυχνίες, ανάλογα με τις τιμές συγκέντρωσης του οξυγόνου.

Επεξήγηση των Ενδεικτικών Λυχνιών Καθαρότητας Οξυγόνου - Μοντέλο IRC5PO2AW & IRC5PO2VAW

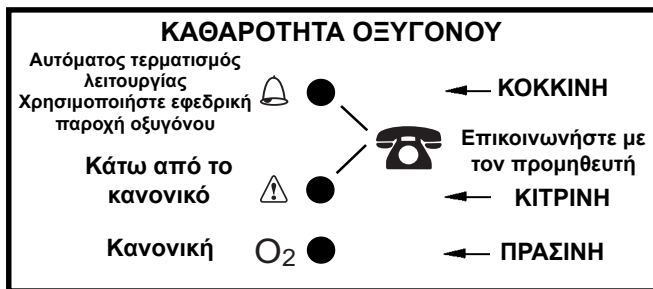
ΣΗΜΕΙΩΣΗ: Για τη διαδικασία αυτή, αναφερθείτε στην . ΕΙΚΟΝΑ 6.6 στη σελίδα 185.

ΠΡΑΣΙΝΗ ενδεικτική λυχνία (O₂) - Κανονική λειτουργία.

ΚΙΤΡΙΝΗ ενδεικτική λυχνία (⚠) - Καλέστε αμέσως τον προμηθευτή. Μπορείτε να συνεχίσετε τη χρήση του συμπυκνωτή, εκτός εάν λάβετε διαφορετικές οδηγίες από τον προμηθευτή σας. Βεβαιωθείτε ότι έχετε κοντά εφεδρική παροχή οξυγόνου.

ΚΟΚΚΙΝΗ ενδεικτική λυχνία (⚠) - Ολικός τερματισμός λειτουργίας της μονάδας. Επιστρέψτε αμέσως σε εφεδρική παροχή οξυγόνου και καλέστε τον προμηθευτή.

ΠΡΑΣΙΝΗ ενδεικτική λυχνία - με ΚΙΤΡΙΝΗ λυχνία που αναβοσβήνει - Καλέστε αμέσως τον προμηθευτή. Δυσλειτουργία του αισθητήρα οξυγόνου. Μπορείτε να συνεχίσετε τη χρήση του συμπυκνωτή.



ΕΙΚΟΝΑ 6.6 Επεξήγηση των Ενδεικτικών Λυχνιών Καθαρότητας Οξυγόνου - Μοντέλο IRC5PO2AW & IRC5PO2VAW

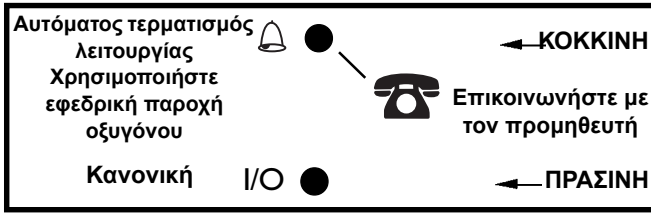
Επεξήγηση των Ενδεικτικών Λυχνιών - Μοντέλο IRC5PO2AW

ΣΗΜΕΙΩΣΗ: Για τη διαδικασία αυτή, αναφερθείτε στην . ΕΙΚΟΝΑ 6.7.

Επεξήγηση Ενδεικτικής Λυχνίας Μοντέλο IRC5PAW

ΚΟΚΚΙΝΗ ενδεικτική λυχνία (⚠) - Ολικός τερματισμός λειτουργίας της μονάδας. Επιστρέψτε αμέσως σε εφεδρική παροχή οξυγόνου και καλέστε τον προμηθευτή.

ΠΡΑΣΙΝΗ ενδεικτική λυχνία (I/O) - Έναρξη/διακοπή λειτουργίας,
Κανονική λειτουργία συστήματος.



ΕΙΚΟΝΑ 6.7 Επεξήγηση των Ενδεικτικών Λυχνιών - Μοντέλο IRC5PO2AW

Μετρητής χρόνου που παρήλθε (Μετρητής ωρών)

Ο μετρητής ωρών εμφανίζει τον συνολικό αριθμό ωρών λειτουργίας της μονάδας.

ΕΝΟΤΗΤΑ 7—ΣΥΝΤΗΡΗΣΗ

⚠ ΠΡΟΕΙΔΟΠΟΙΗΣΗ

Οι συμπυκνωτές Invacare είναι ειδικά σχεδιασμένοι για την ελαχιστοποίηση της προληπτικής συντήρησης ρουτίνας. Μόνο ειδικευμένο προσωπικό θα πρέπει να πραγματοποιεί προληπτική συντήρηση στο συμπυκνωτή.

Αποσυνδέστε το συμπυκνωτή όταν τον καθαρίζετε. Για να αποφύγετε ηλεκτροπληξία, ΜΗΝ αφαιρείτε το περίβλημα.

ΣΗΜΕΙΩΣΗ: Ως ελάχιστη απαίτηση, ΠΡΕΠΕΙ να εκτελείτε την προληπτική συντήρηση σύμφωνα με τις κατευθυντήριες οδηγίες του ιστορικού συντήρησης. Σε χώρους με υψηλά επίπεδα σκόνης ή αιθάλης, ενδέχεται να χρειάζεται η συντήρηση να γίνεται πιο συχνά. Αναφερθείτε στην ενότητα Καθαρισμός του φίλτρου περιβλήματος στη σελίδα 188.

Συντήρηση ρουτίνας

Η ακόλουθη συντήρηση ρουτίνας πρέπει να εκτελείται πιο συχνά. Δείτε τα συνιστώμενα διαστήματα σε κάθε ενότητα και. Καθαρισμός του φίλτρου περιβλήματος στη σελίδα 187.

Καθαρισμός του φίλτρου περιβλήματος

ΠΡΟΣΟΧΗ

ΜΗΝ θέτετε σε λειτουργία το συμπυκνωτή χωρίς εγκατεστημένα φίλτρα.

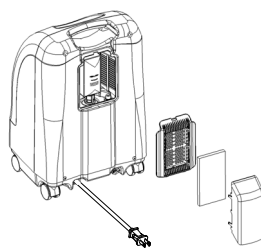
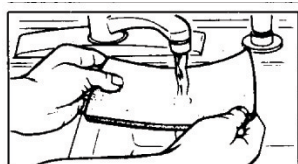
ΣΗΜΕΙΩΣΗ: Για τη διαδικασία αυτή, αναφερθείτε στην ΕΙΚΟΝΑ 7.1 στη σελίδα 188.

ΣΗΜΕΙΩΣΗ: Στο πίσω μέρος του περιβλήματος υπάρχει τοποθετημένο ένα φίλτρο περιβλήματος.

1. Ελέγχετε το φίλτρο κάθε μήνα. Αφαιρείτε και καθαρίζετε το φίλτρο όπως απαιτείται.

ΣΗΜΕΙΩΣΗ: Στις περιβαλλοντικές συνθήκες για τις οποίες μπορεί να απαιτείται συχνότερος έλεγχος και καθαρισμός του φίλτρου περιλαμβάνονται, χωρίς να περιορίζονται σε αυτές: υψηλά επίπεδα σκόνης, παράγοντες μόλυνσης αέρα, κ.λπ.

2. Καθαρίστε το φίλτρο του περιβλήματος με ηλεκτρική σκούπα ή πλύνετε με θερμό νερό με σαπούνι και εκπλύνετε σχολαστικά.
3. Στεγνώστε το φίλτρο πολύ καλά πριν από την επανατοποθέτηση.



ΕΙΚΟΝΑ 7.1 Καθαρισμός του φίλτρου περιβλήματος

Καθαρισμός του Περιβλήματος

1. Καθαρίστε το περίβλημα με ήπιο οικιακό καθαριστικό και ένα μαλακό ύφασμα ή σφουγγάρι.

Καθαρισμός του Υγραντήρα

ΣΗΜΕΙΩΣΗ: Για τον καθαρισμό του υγραντήρα οξυγόνου, ακολουθήστε τις οδηγίες που παρέχονται από τον κατασκευαστή. Εάν δεν παρέχεται καμία οδηγία, ακολουθήστε τα ΒΗΜΑΤΑ αυτά:

1. Καθαρίζετε τον υγραντήρα καθημερινά.
2. Πλύνετε τον με νερό με σαπούνι και εκπλύνετε τον με διάλυμα δέκα μερών νερού και ενός μέρους ξυδιού.
3. Εκπλύνετε σχολαστικά με θερμό νερό και επαναπληρώστε με απεσταγμένο νερό έως τη στάθμη που εμφανίζεται στον υγραντήρα.

ΑΡ. ΜΟΝΤΕΛΟΥ IRC _____ ΑΡ. ΣΕΙΡΑΣ_____



ΑΡΧΕΙΟ ΠΡΟΛΗΠΤΙΚΗΣ ΣΥΝΤΗΡΗΣΗΣ

ΣΕ ΚΑΘΕ ΕΠΙΘΕΩΡΗΣΗ		Yes, you can!											
Καταγραφή ημερομηνίας σέρβις													
Καταγραφή ωρών που παρήλθαν στο μετρητή ωρών													
Καθαρισμός φίλτρων περιβλήματος													
Έλεγχος Συναγγραφομένου Ρυθμού Ροής L/min													
ΚΑΘΕ 4.380 ΩΡΕΣ													
Έλεγχος συγκέντρωσης οξυγόνου (ΜΟΝΑΔΕΣ ΧΩΡΙΣ SENSO)													
ΚΑΘΕ 26.280 ΩΡΕΣ Ή 3 ΕΤΗ, ΟΠΟΙΟΔΗΠΟΤΕ ΠΡΟΚΥΠΤΕΙ ΠΡΩΤΑ													
Έλεγχος συγκέντρωσης οξυγόνου (ΜΟΝΑΔΕΣ ΜΕ SENSO)													
ΚΑΤΑ ΤΗ ΔΙΑΡΚΕΙΑ ΤΟΥ ΠΡΟΓΡΑΜΜΑΤΟΣ ΠΡΟΛΗΠΤΙΚΗΣ ΣΥΝΤΗΡΗΣΗΣ Ή ΜΕΤΕΞΥΨΘΕΝΩΝ													
Καθαρισμός/Αντικατάσταση φίλτρων Περιβλήματος													
Έλεγχος φίλτρου HEPA στομίου εξόδου*													
Έλεγχος φίλτρου εισοφής συμπυκνωτή*													
Έλεγχος συναγερμού διακοπής ρεύματος													
ΟΠΩΣ ΑΠΑΙΤΕΙΤΑΙ													
Καθαρισμός ανταλλακτική θερμότητας													
Αντικατάσταση σιγαστήρα εξαγωγής													
Ανασυρμολόγηση άνω τμήματος συμπυκνωτή													

*ΣΗΜΕΙΩΣΗ: Ανατρέξτε στην ενότητα "Προληπτική συντήρηση" του εγχειριδίου σέρβις. ΣΗΜΕΙΩΣΗ:

4.380 ώρες είναι ισοδύναμες με χρήση 24 ωρών ανά ημέρα, 7 ημέρες την εβδομάδα, για 6 μήνες. 26.280 ώρες είναι ισοδύναμες με χρήση 24 ωρών ανά ημέρα, 7 ημέρες την εβδομάδα, για 3 έτη.

ΕΙΚΟΝΑ 7.2 Αρχείο Προληπτικής Συντήρησης

ΕΝΟΤΗΤΑ 8—ΟΔΗΓΟΣ ΑΝΤΙΜΕΤΩΠΙΣΗΣ ΠΡΟΒΛΗΜΑΤΩΝ

ΣΥΜΠΤΩΜΑ: Α:	ΠΙΘΑΝΗ ΑΙΤΙΑ:	ΛΎΣΗ:
<p>Συναγερμός:</p> <p>Σύντομοι ήχοι μπιπ, μακρά παύση</p> <p>Ο συμπυκνωτής δε λειτουργεί, ανοίξτε το διακόπτη ρεύματος.</p> <p>Μπιπ.....Μπιπ... .</p>	<p>Διακοπή κυρίου ρεύματος:</p> <p>1. Το καλώδιο ρεύματος ΔΕΝ είναι συνδεδεμένο στην πρίζα.</p> <p>2. Η πρίζα ρεύματος δεν έχει ρεύμα.</p> <p>3. Ο ασφαλειοδιακόπτης έχει “πέσει”.</p>	<p>1. Εισαγάγετε το φις στην πρίζα.</p> <p>2. Επιθεωρήστε τους ασφαλειοδιακόπτες ή τις ασφάλειες του σπιτιού. Εάν το πρόβλημα εμφανίζεται πάλι, χρησιμοποιήστε διαφορετική πρίζα.</p> <p>3. Πατήστε/επανεκκινήστε τον ασφαλειοδιακόπτη. Αν το πρόβλημα εμφανιστεί πάλι, καλέστε τον υπεύθυνο για το σέρβις.</p>
<p>Συναγερμός:</p> <p>Συνεχής</p> <p>Ο συμπυκνωτής δε λειτουργεί, ανοίξτε το διακόπτη ρεύματος.</p> <p>Μακρός ήχος μπιπ....</p>	<p>Βλάβη του συστήματος:</p> <p>1. Υπερθέρμανση της μονάδας λόγω φραγμένου στομίου εισροής αέρα.</p> <p>2. Ανεπαρκής παροχή ισχύος στην πρίζα ρεύματος.</p> <p>3. Απαιτούνται εσωτερικές επισκευές.</p>	<p>1a. Αφαιρέστε και καθαρίστε τα φίλτρα του περιβλήματος.</p> <p>1b. Μετακινήστε το συμπυκνωτή οξυγόνου σε απόσταση τουλάχιστον 7,5 cm (3 in) μακριά από τοίχους, κουρτίνες ή έπιπλα.</p> <p>2. ΜΗΝ χρησιμοποιείτε καλώδια προέκτασης. Μετακινήστε τη συσκευή σε άλλη ηλεκτρική πρίζα ή σε άλλο ηλεκτρικό κύκλωμα.</p> <p>3. Επικοινωνήστε με το άτομο παροχής σέρβις.</p>

ΣΥΜΠΤΩΜΑ: Α:	ΠΙΘΑΝΗ ΑΙΤΙΑ:	ΛΥΣΗ:
<p>Η ΚΙΤΡΙΝΗ ή η ΚΟΚΚΙΝΗ ενδεικτική λυχνία είναι αναμμένη.</p> <p>Συναγερμός: Συνεχής Στην κόκκινη ενδεικτική λυχνία μόνο.</p> <p>*Ισχύει μόνο στα μοντέλα IRC5P02AW & IRCP02VAW</p>	<ol style="list-style-type: none"> 1. Χαμηλή καθαρότητα οζυγόνου.* 2. Στρέβλωση ή απόφραξη της σωλήνωσης, της κάνουλας ή του υγραντήρα.* 3. Ο μετρητής ροής είναι ρυθμισμένος στα 0,5 L/min*. 4. Υπερθέρμανση της μονάδας λόγω φραγμένου στομίου εισροής αέρα. 5. Ανεπαρκής παροχή ισχύος στην πρίζα ρεύματος. 6. Απαιτούνται εσωτερικές επισκευές. 	<ol style="list-style-type: none"> 1. Καθαρίστε ή αντικαταστήστε τα φίλτρα. 2. Επιθεωρήστε για τυχόν στρεβλώσεις ή αποφράξεις. Διορθώστε, καθαρίστε ή αντικαταστήστε το εξάρτημα. Μόλις διορθωθεί, διακόψτε τη λειτουργία για 60 δευτερόλεπτα και κατόπιν θέστε πάλι σε λειτουργία. 3. Ελέγξτε εάν ο μετρητής ροής έχει ρυθμιστεί σε ρυθμό 1,0 L/min ή μεγαλύτερο. Αναφερθείτε στην ενότητα <u>ΤΥΠΙΚΕΣ ΠΑΡΑΜΕΤΡΟΙ ΠΡΟΪΟΝΤΟΣ</u> στη σελίδα 173. 4a. Αφαιρέστε και καθαρίστε τα φίλτρα του περιβλήματος. 4b. Μετακινήστε το συμπυκνωτή σε απόσταση τουλάχιστον 7,5 cm (3 in) μακριά από τοίχους, κουρτίνες και έπιπλα. 5. ΜΗΝ χρησιμοποιείτε καλώδια προέκτασης. Μετακινήστε τη συσκευή σε άλλη ηλεκτρική πρίζα ή σε άλλο ηλεκτρικό κύκλωμα. 6. Επικοινωνήστε με το άτομο παροχής σέρβις.
<p>Η ΠΡΑΣΙΝΗ με την ΚΙΤΡΙΝΗ ενδεικτική λυχνία αναβοσβήνουν</p>	<ol style="list-style-type: none"> 1. Απαιτούνται εσωτερικές επισκευές. 	<ol style="list-style-type: none"> 1. Επικοινωνήστε με το άτομο παροχής σέρβις.
<p>Συναγερμός: Ταχυσ Μπιπ...Μπιπ... Μπιπ...Μπιπ</p>	<p>ΣΥΝΑΓΕΡΜΟΣ ΧΑΜΗΛΗΣ ΡΟΗΣ</p> <ol style="list-style-type: none"> 1. Στρέβλωση ή απόφραξη της σωλήνωσης, της κάνουλας ή του υγραντήρα. 2. Ο μετρητής ροής είναι ρυθμισμένος στα 0,5 L/min 	<ol style="list-style-type: none"> 1. Επιθεωρήστε για τυχόν στρεβλώσεις ή αποφράξεις. Διορθώστε, καθαρίστε ή αντικαταστήστε το εξάρτημα. Μόλις διορθωθεί, διακόψτε τη λειτουργία για 60 δευτερόλεπτα και κατόπιν θέστε πάλι σε λειτουργία. 2. Δεν συνιστώνται ρυθμοί ροής μικρότεροι από 1 L/min

ΕΝΟΤΗΤΑ 9—ΠΡΟΑΙΡΕΤΙΚΑ ΕΞΑΡΤΗΜΑΤΑ

Τα ακόλουθα προαιρετικά εξαρτήματα είναι επίσης διαθέσιμα:

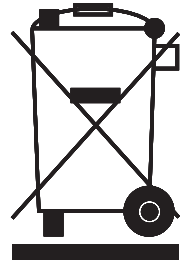
- Τυποποιημένη Ρινική Κάνουλα Ενήλικα, 2,1m (7 πόδια)- M3120
- Τυποποιημένος Υγραντήρας - M5120
- Παιδιατρικός Υγραντήρας/Εξοπλισμός Μετρητή Ροής PreciseRX™ - IRCPF16AW
- Συμπυκνωτής οξυγόνου για οικιακή χρήση HomeFill - IOH200AW

ΠΛΗΡΟΦΟΡΙΕΣ ΑΝΑΚΥΚΛΩΣΗΣ

Το παρόν προϊόν παρέχεται από έναν κατασκευαστή με επίγνωση των περιβαλλοντικών θεμάτων, ο οποίος συμμορφώνεται με την οδηγία σχετικά με τα Απόβλητα Ειδών Ηλεκτρικού και Ηλεκτρονικού Εξοπλισμού (WEEE) Οδηγία 2002/96/ΕΚ.

Το προϊόν αυτό ενδέχεται να περιέχει ουσίες που θα ήταν πιθανώς επιβλαβείς για το περιβάλλον εάν απορριφθεί σε χώρους (υγειονομικής ταφής) που δεν είναι κατάλληλοι σύμφωνα με τη νομοθεσία.

Το σύμβολο “διαγραμμένου κάδου απορριμμάτων με ρόδες” τοποθετείται στο προϊόν αυτό για να σας ενθαρρύνει στην ανακύκλωση, όποτε αυτό είναι δυνατό.



Παρακαλούμε επιδείξτε περιβαλλοντική υπευθυνότητα και ανακυκλώστε το προϊόν αυτό, μέσω της εγκατάστασης ανακύκλωσής σας στο τέλος της διάρκειας ζωής του.

ΠΕΡΙΟΡΙΣΜΕΝΗ ΕΓΓΥΗΣΗ

Belgium & Luxemburg:

Invacare nv, Autobaan 22, B-8210 Loppem
Tel: (32) (0) 50 83 10 10
Fax: (32) (0) 50 83 10 11
belgium@invacare.com

Danmark:

Invacare A/S, Sdr. Ringvej 37, DK-2605
Brøndby
Tel: (45) (0)36 90 00 00
Fax: (45) (0)36 90 00 01
denmark@invacare.com

Deutschland:

Invacare Aquatec GmbH,
Alemannenstraße 10, D-88316 Isny
Tel: (49) (0)75 62 7 00 0
Fax: (49) (0)75 62 7 00 66
info@invacare-aquatec.com

European Distributor Organisation:

Invacare, Kleiststraße 49, D-32457 Porta
Westfalica
Tel: (49) (0)57 31 754 540
Fax: (49) (0)57 31 754 541
edo@invacare.com

España:

Invacare SA, c/Areny s/n, Polígon
Industrial de Celrà, E-17460 Celrà (Girona)
Tel: (34) (0)972 49 32 00
Fax: (34) (0)972 49 32 20
contactsp@invacare.com

France:

Invacare Poirier SAS, Route de St Roch,
F-37230 Fondettes
Tel: (33) (0)2 47 62 64 66
Fax: (33) (0)2 47 42 12 24
contactfr@invacare.com

Switzerland:

Invacare AG,
Benkenstrasse 260, CH-4108 Witterswil
Tel: (41) (0)61 487 70 80
Fax: (41) (0)61 487 70 81
switzerland@invacare.com

Ireland:

Invacare Ireland Ltd, Unit 5 Seatown
Business Campus,
Seatown Road, Swords, County Dublin –
Ireland
Tel: (353) 1 810 7084
Fax: (353) 1 810 7085
ireland@invacare.com

Italia:

Invacare Mecc San s.r.l., Via dei Pini 62,
I-36016 Thiene (VI)
Tel: (39) 0445 38 00 59
Fax: (39) 0445 38 00 34
italia@invacare.com

Nederland:

Invacare BV, Celsiusstraat 46, NL-6716 BZ
Ede
Tel: (31) (0)318 695 757
Fax: (31) (0)318 695 758
nederland@invacare.com
csede@invacare.com

Norge:

Invacare AS, Grensesvingen 9, Postboks
6230, Etterstad, N-0603 Oslo
Tel: (47) (0)22 57 95 00
Fax: (47) (0)22 57 95 01
norway@invacare.com
island@invacare.com

Österreich:

Invacare Austria GmbH, Herzog
Odilostasse 101, A-5310 Mondsee
Tel: (43) 6232 5535 0
Fax: (43) 6232 5535 4
info@invacare-austria.com

Sverige & Suomi:

Invacare AB, Fagerstagatan 9,
S-163 91 Spånga
Tel: (46) (0)8 761 70 90
Fax: (46) (0)8 761 81 08
sweden@invacare.com
finland@invacare.com

United Kingdom:

Invacare Limited, Pencoed Technology
Park, Pencoed, Bridgend CF35 5HZ
Tel: (44) (0) 1656 776200
Fax: (44) (0) 1656 776201
Customer Services:
Tel: (44) (0) 1656 776222
Fax: (44) (0) 1656 776220
UK@invacare.com

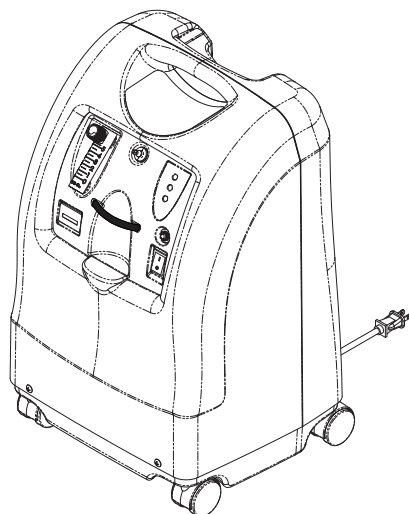
Portugal:

Invacare Lda,
Rua Estrada Velha, 949, P-4465-784 Leça do
Balio
Tel: (351) (0)225 1059 46/47
Fax: (351) (0)225 1057 39
portugal@invacare.com

Manual do Operador

Série Perfecto₂TM

**Concentradores de Oxígeno sem SensO₂[®],
Concentradores de Oxígeno com SensO₂[®]
Compatível com a HomeFill[®]**



**Modelo IRC5PO2AW
Modelo IRC5PO2VAW**

Modelo IRC5PAW

Comerciante: Este manual TEM DE ser entregue ao utilizador final.

Utilizador: ANTES de utilizar este produto, leia este manual e guarde-o para futura referência.



Para mais informações sobre os produtos, componentes e serviços Invacare, por favor visite www.invacare.com



Yes, you can.[®]

ADVERTÊNCIA

NÃO use este produto ou qualquer equipamento opcional disponível sem ter lido e compreendido primeiro estas instruções e qualquer material de instruções adicional, como Manual do Proprietário, Manuais de Assistência ou Folhas de Instruções, fornecidos com este produto ou com equipamento opcional. Caso não compreenda as Advertências, Precauções ou Instruções, deverá contactar um profissional de saúde, revendedor ou técnico de assistência antes de qualquer tentativa de utilização deste equipamento. Caso contrário, poderão ocorrer lesões ou danos.

AVISO SOBRE OS ACESSÓRIOS

Os produtos Invacare são especialmente concebidos e fabricados para serem utilizados em conjunto com os acessórios Invacare. Os acessórios desenvolvidos por outros fabricantes não foram testados pela Invacare e não são recomendados para serem utilizados em conjunto com os produtos Invacare.

ACESSÓRIOS

Existem muitos tipos de humidificadores, tubos de oxigénio, cânulas e máscaras que podem ser usados com este aparelho. Para obter recomendações sobre qual destes acessórios é o mais adequado para o seu caso, deverá contactar o prestador de cuidados de saúde domiciliário. Deverá procurar igualmente aconselhar-se sobre a utilização, manutenção e limpeza correctas.

NOTA: Pode encontrar as versões actualizadas deste manual em www.invacare.com.

ÍNDICE

ACESSÓRIOS	196
NOTAS ESPECIAIS	198
LOCALIZAÇÃO DA ETIQUETA	200
SECÇÃO 1—LINHAS DE ORIENTAÇÃO GERAIS .	201
Informação de Funcionamento.....	202
Interferência por radiofrequência.....	203
SECÇÃO 2—CARACTERÍSTICAS	204
SECÇÃO 3—MANIPULAÇÃO	205
Desembalagem	205
Inspeção.....	205
Armazenamento.....	205
SECÇÃO 4—DESCRIÇÃO TÉCNICA	206
SECÇÃO 5—PARÂMETROS TÍPICOS DO PRODUTO	207
SECÇÃO 6—INSTRUÇÕES DE FUNCIONAMENTO	211
Introdução.....	211
Escolher um local.....	211
Instalação.....	212
Interruptor de alimentação	214
Débito	215
Indicador da Pureza do Oxigénio SensO ₂ Modelo IRC5PO2AW & IRCPO2VAW	216
Ligação inicial do concentrador.....	216
Explicação das Luzes Indicadoras - Modelo IRC5PAW	217
Indicador de tempo decorrido (Contador horário).....	218
SECÇÃO 7—MANUTENÇÃO	219
Manutenção de rotina.....	219
SECÇÃO 8—GUIA DE RESOLUÇÃO DE PROBLEMAS	222
SECÇÃO 9—ACESSÓRIOS OPCIONAIS	224
INFORMAÇÕES SOBRE RECICLAGEM	225
GARANTIA LIMITADA	226

NOTAS ESPECIAIS

Neste manual são utilizadas palavras de sinalização que se aplicam a perigos ou a práticas inseguras que poderiam resultar em lesões pessoais ou danos em bens. Consultar a tabela seguinte para obter as definições das palavras de sinalização.

PALAVRA DE SINALIZAÇÃO	SIGNIFICADO
PERIGO	A palavra perigo indica uma situação de perigo iminente que, se não for evitada, irá resultar em morte ou em lesões graves.
ADVERTÊNCIA	A palavra advertência indica uma situação potencialmente perigosa que, se não for evitada, poderia resultar em morte ou em lesões graves.
PRECAUÇÃO	Precaução indica uma situação potencialmente perigosa, que se não for evitada poderá resultar em danos materiais ou lesões secundárias ou ambos.

AVISO

As informações contidas neste documento estão sujeitas a alterações sem aviso prévio.

PERIGO

NÃO FUME quando da utilização deste dispositivo. **Mantenha todos os fósforos, cigarros acesos ou outras fontes de ignição fora do quarto em que se encontra este produto/dispositivo, assim como de todas as áreas onde houver administração de oxigénio.**

⚠ PERIGO

Devem ser afixados em locais visíveis avisos de PROIBIDO FUMAR. Os têxteis e outros materiais que normalmente não se incendiam são facilmente inflamáveis e ardem com grande intensidade numa atmosfera enriquecida com oxigénio. O não cumprimento desta advertência pode resultar num incêndio grave e em danos em bens, e provocar lesões físicas ou mesmo a morte.

PRECAUÇÃO

“Precaução: A lei pode restringir a venda deste aparelho a médicos ou mediante receita médica, ou a qualquer outro profissional licenciado pela legislação da agência governamental na qual exerça a sua profissão, para utilizar ou ordenar a utilização deste dispositivo.”

A Invacare recomenda uma fonte alternativa de oxigénio suplementar no caso de haver uma falha eléctrica, um problema de alarme ou uma falha mecânica. Consulte com o seu médico ou fornecedor de equipamento para saber qual o sistema de reserva adequado.

Este equipamento está indicado para ser utilizado como suplemento de oxigénio e não é considerado um aparelho de suporte vital nem de manutenção da vida.

LOCALIZAÇÃO DA ETIQUETA

Perfecto₂™

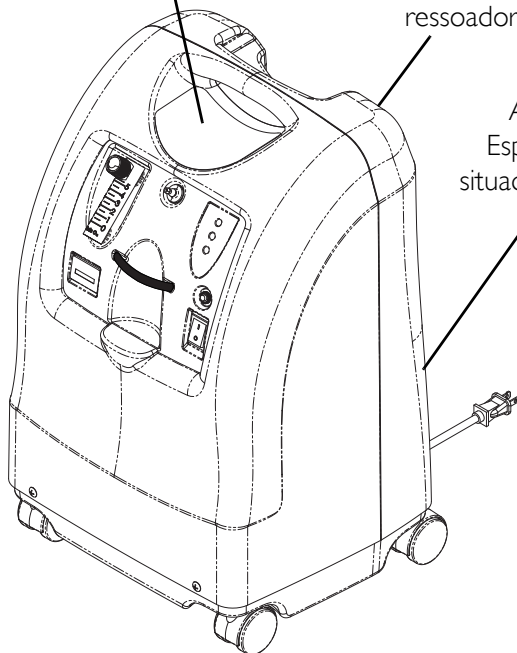
PARA AS INSTRUÇÕES DE FUNCIONAMENTO ou ALARMES (Consulte o Manual do Operador/Utilizador)

- ⚠ PERIGO - RISCO DE INCÊNDIO
NÃO FUMAR - Mantenha TODAS as fontes de ignição afastadas da divisão na qual este produto irá ficar situado e da zona onde esteja a ser fornecido oxigénio. Os têxteis, óleos e outros combustíveis são facilmente inflamáveis e ardem com grande intensidade em ar enriquecido com oxigénio.
- ⚠ PERIGO - CHOQUE ELÉCTRICO
NÃO retire a tampa. Confie as reparações a pessoal de assistência qualificado.
- ⚠ As taxas/velocidades de fluxo abaixo dos 0,5 L/min activarão o Alarme de Baixo Fluxo (um alarme sonoro rápido).
- ⚠ Defina/Ajuste o Debitómetro a 2,5 L/min ou menos quando encher os cilindros HomeFill®.

HomeFill®
Compatível



A Etiqueta do Número de Série
está situada na montagem do
ressoador de entrada



A Etiqueta de
Especificação está
situada atrás, perto do
fundo

SECÇÃO I — LINHAS DE ORIENTAÇÃO GERAIS

De forma a poder garantir uma instalação, montagem e funcionamento seguros do concentrador Perfecto₂, TÊM de ser seguidas estas instruções.

⚠ ADVERTÊNCIA

Esta secção contém informação importante para o funcionamento e utilização seguros deste produto.

⚠ PERIGO

Risco de choque eléctrico. **NÃO** desmontar. Confie as reparações a pessoal de assistência qualificado. Sem peças a reparar/substituir pelo utilizador.

PARA REDUZIR O RISCO DE QUEIMADURAS, ELECTROCUSSÃO, INCÊNDIO OU LESÕES EM PESSOAS.

Evitar usar durante o banho. Se o uso contínuo for prescrito pelo médico, o concentrador **TERÁ** de ser colocado noutra quarto a pelo menos 2,5 m (7 pés) do banho.

NÃO tocar no concentrador enquanto estiver húmido/a.

NÃO colocar nem guardar o aparelho num local onde possa cair para dentro de água ou de qualquer outro líquido.

NÃO tocar num aparelho que tenha caído dentro de água. Desligar **IMEDIATAMENTE**.

Se o fio eléctrico ou a ficha do concentrador estiverem danificados, se o concentrador não estiver a funcionar correctamente, se tiver caído ou se estiver danificado ou, ainda, se tiver caído dentro de água, deverá contactar um técnico qualificado para o examinar e reparar.

⚠ PERIGO

Poderá ocorrer uma ignição espontânea e violenta se óleo, gordura ou substâncias gordurosas entrarem em contacto com oxigénio sob pressão. Estas substâncias **TÊM** de ser mantidas afastadas do concentrador de oxigénio, da tubagem e das ligações, e de todos os outros equipamentos que utilizem oxigénio. **NÃO** utilizar lubrificantes a não ser que seja recomendado pela Invacare.

Evitar a formação de faíscas próximo do equipamento de oxigénio medicinal. Isto inclui faíscas de electricidade estática originadas por qualquer tipo de fricção.

Informação de Funcionamento

Para um bom desempenho do concentrador, a Invacare recomenda que os concentradores sejam ligados e estejam a funcionar durante um período mínimo de 30 min de cada vez. Períodos de funcionamento mais curtos podem reduzir a vida útil máxima do produto.

Não permita que a tubagem do oxigénio, o fio eléctrico, e a unidade estejam cobertos por cobertores, colchas, almofadas de cadeiras, roupa, nem perto de superfícies aquecidas ou quentes incluindo os aquecedores, fogões ou aparelhos eléctricos similares.

NÃO mova nem rode o concentrador puxando-o pelo fio eléctrico.

NUNCA introduza qualquer objecto ou liquido nas aberturas.

A Invacare recomenda a utilização de tubo de oxigénio à prova de esmagamento, com este produto, e que o tubo não exceda os 15,2 m (50 pés) de comprimento.

Não há peças a reparar/substituir pelo utilizador. Isto não inclui as peças habituais de manutenção. Ver a secção de manutenção para ver os itens de manutenção pelo utilizador.

NUNCA deixar um aparelho ligado sem vigilância.

Assegurar que o Perfecto₂ está (desligado) Off quando não é utilizado.

É necessária uma vigilância apertada quanto este produto for utilizado próximo de crianças ou indivíduos com incapacidade física.

Será necessária mais monitorização e/ou atenção, durante a utilização deste dispositivo, nos doentes que não ouvem ou não vêem os alarmes e naqueles incapazes de se queixarem do desconforto.

NÃO ligar o concentrador em paralelo ou em série com outros concentradores de oxigénio ou com aparelhos de oxigenoterapia.

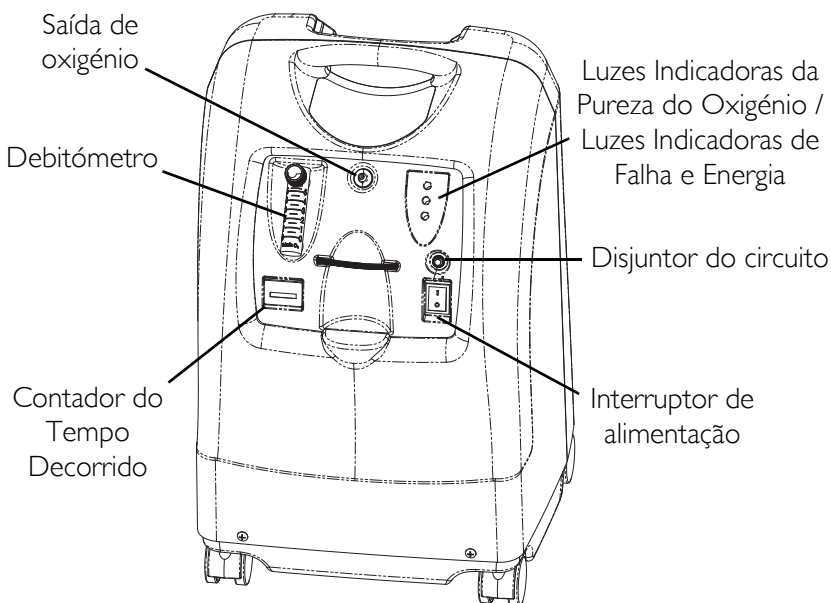
Interferência por radiofrequência

Este equipamento foi testado e está em conformidade com os limites EMC especificados pela IEC/EN 60601-1-2. Estes limites são concebidos para providenciar uma protecção razoável contra a interferência electromagnética nas instalações clínicas/médicas típicas.

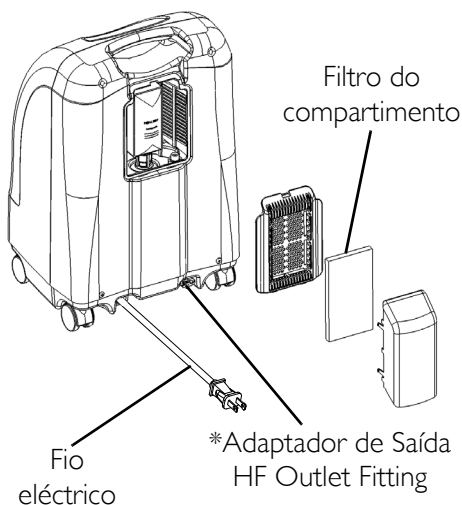
Outros dispositivos poderão ainda sofrer de interferência mesmo com os baixos níveis de emissões electromagnéticas permitidas pelas normas acima mencionados. Para verificar se são as emissões do Perfecto₂ que estão a causar a interferência, desligue o Perfecto₂. Se a interferência com o(s) outro(s) dispositivo(s) parar, então é o Perfecto₂ que está a causá-la. Nestes casos raros, poderá reduzir ou corrigir a interferência tomando uma das seguintes medidas:

- Reposicionar, mudar de sítio, ou aumentar o espaço entre equipamento.
- Ligar o equipamento a uma tomada num circuito diferente daquele aonde está(ão) ligado(s) o(s) outro(s) dispositivo(s).

SECÇÃO 2—CARACTERÍSTICAS



VISTA TRASEIRA



**NOTA: Este adaptador de saída destina-se a ser utilizado apenas para o enchimento de cilindros de oxigénio com o compressor de oxigénio domiciliário HomeFill. Este adaptador não influencia o desempenho do concentrador. Consulte o manual do proprietário do compressor HomeFill, referência 1145805, para saber quais as instruções de ligação e funcionamento. Quando a ficha fornecida com o concentrador não estiver a ser utilizada, deverá ser inserida no adaptador de saída. Para mais informações sobre o HomeFill, contacte o seu revendedor Invacare.*

SECÇÃO 3—MANIPULAÇÃO

O concentrador deve estar SEMPRE na posição vertical para impedir danos no compartimento durante o transporte.

Se o concentrador tiver de ser reenviado por uma transportadora comum, estão disponíveis caixas de cartão adicionais da Invacare.

Desembalagem

NOTA: Relativamente a este procedimento, consultar FIGURA 3.1.

1. Verifique se existem danos evidentes na caixa de cartão ou no conteúdo. Se os danos forem evidentes, informe a transportadora ou o seu revendedor local.
2. Retire todos os materiais de protecção soltos da caixa de cartão.
3. Retire com cuidado todos os componentes da caixa de cartão.

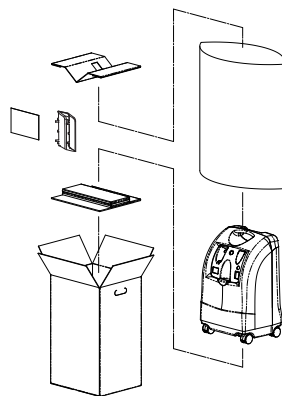


FIGURA 3.1 Desembalagem

NOTE: A não ser que o concentrador de oxigénio tenha de ser utilizado IMEDIATAMENTE, deixe-o dentro da sua embalagem para armazenamento até que seja preciso utilizá-lo.

Inspecção

1. Inspecione/examine a parte exterior do concentrador de oxigénio, verificando se existem cortes, amolgadelas, riscos ou outros danos. Inspecione todos os componentes.

Armazenamento

1. Guarde o concentrador de oxigénio dentro da caixa de cartão, numa área seca.
2. NÃO coloque objectos sobre a caixa de cartão com o concentrador.

SECÇÃO 4—DESCRIÇÃO TÉCNICA

O concentrador Invacare Perfecto₂ é utilizado por doentes com distúrbios respiratórias que necessitam de oxigénio suplementar. O dispositivo não é concebido para manter ou suportar a vida.








O nível da concentração de oxigénio no gás de saída varia entre os 87% aos 95,6%. O oxigénio é fornecido ao doente através duma cânula nasal.

O concentrador Invacare Perfecto₂ utiliza um crivo molecular e uma metodologia de adsorção por oscilação de pressão para produzir o débito/a saída de gás de oxigénio. O ar ambiente entra no dispositivo, é filtrado e depois comprimido. Este ar comprimido é depois direccionado para um de dois leitos crivo absorvedores de nitrogénio. O oxigénio concentrado sai pela extremidade oposta do leito crivo activo e é direccionado para um depósito de oxigénio de onde é fornecido/administrado ao doente.

O concentrador Invacare Perfecto₂ pode ser manobrado pelo doente em casa ou num ambiente institucional. O dispositivo funciona num abastecimento nominal 230 VAC/50 Hertz.

A informação de assistência será disponibilizada, quando solicitada, unicamente ao pessoal técnico qualificado.

SECÇÃO 5—PARÂMETROS TÍPICOS DO PRODUTO

	Corrente alternada
	Equipamento de tipo BF
	Unidade ligada
	Unidade desligada
	Atenção — Consultar documentos anexos
	NÃO fumar
	Classe II, Isolamento Duplo
IPX1	Protegido contra salpicos de água
Requisitos eléctricos:	230 VCA ± 10% (253 VCA/207 VCA), 50 Hz
Entrada de corrente nominal:	1,4 A
Nível de som:	Médio 39,5 dBA
Altitude:	<p>Todos os Modelos Perfecto2: Até 2438 metros (8.000 ft) acima de nível do mar sem degradação de níveis de concentração. De 4000 metros (8.000 ft a 13.129) abaixo de 90% eficiência.</p> <p>Todos os Modelos Perfecto2 ao encher um Sistema de HomeFill: Até 1828 metros (6.000 ft) acima de nível do mar sem degradação de níveis de concentração. De 1828 metros (6.000 ft) a 4000 metros (13.129 ft) abaixo de 90% eficiência.</p>

SECÇÃO 5—PARÂMETROS TÍPICOS DO PRODUTO

Níveis da Concentração do Oxigénio de Saída:	87% a 95,6% a 0,5 até 5 L/min 93% ± 3% at 2 L/min
<i>NOTA: Os níveis de concentração afirmados são alcançados após um período de aquecimento inicial (aproximadamente 30 min).</i>	
Pressão de saída máxima:	34,5 kPa ± 3,45 kPa (5 psi ± 0,5 psi)
Intervalo de débitos:	0,5 a 5 L/min (máximo) Para as taxas/velocidades de fluxo abaixo de 1 L/min, recomendamos a utilização do Acessório Pediátrico para Debitómetro (IRCPF16AW) Invacare
Alarme de débito baixo:	0 L/min a 0,5 L/min Apito Rápido do Alarme Sonoro (Nenhum Acessório Ligado)
Consumo Médio de Potência:	Perfecto ₂ AW - 300 W @ 5 L/min, 280 W @3 L/min Perfecto ₂ VAW - 320 W@ 5 L/min
Mecanismo de Alívio da Pressão Operacional a:	241 kPa ± 24,1 kPa (35 psi ± 3,5 psi)
Alteração no débito máximo recomendado quando é aplicada uma pressão retrógrada de 7kPa:	0,7 L/min
Filtros:	Compartimento, HEPA da Saída e Entrada do Compressor
Sistema de segurança:	Encerramento por sobrecarga de corrente ou sobretensão Encerramento por temperatura elevada do compressor Alarme de Pressão Elevada com encerramento do compressor Alarme de Pressão Baixa com encerramento do compressor Alarme de perda de energia sem pilhas Alarme de débito baixo do sistema de oxigénio SensO ₂ (modelo SensO ₂)
Largura:	38,1 cm ± 1 cm (15 polegadas ± 3/8 polegadas)
Altura:	58,4 cm ± 1 cm (23 polegadas ± 3/8 polegadas)
Profundidade:	30,5 cm ± 1 cm (12 polegadas ± 3/8 polegadas)
Peso:	Perfecto ₂ AW Models - 20.5 kg ± 1 kg (45 lbs ± 2 lbs) Perfecto ₂ VAW Models - 18.1 kg ± 1 kg (40 lbs ± 2 lbs)



SECÇÃO 5—PARÂMETROS TÍPICOS DO PRODUTO

Peso durante o transporte:	Perfecto ₂ AW Models - 22.7 kg ± 1 kg (50 lbs ± 2 lbs) Perfecto ₂ VAW Models - 20.4 kg ± 1 kg (45 lbs ± 2 lbs)
Temperatura ambiente de funcionamento:	10°C - 35°C (50°F - 95°F) com uma humidade relativa de 20–60%
Temperatura do Ar Refrigerante de Escape:	Menos do que ambiente +19 °C
Temperatura do Oxigénio de Saída:	Menos do que o Ambiente +3°C (+ 6°F)
Compartimento:	Compartimento de plástico Resistente ao embate e à chama, que está em conformidade com o UL 94-V0
Sem AP/APG	Não é apropriado para utilização na presença de misturas anestésicas inflamáveis
Normas e Relação Reguladora:	IRC5PO2AW/IRC5PAW/IRC5PO2VAW: IEC/EN 60601-1, A1, A2 IEC/EN 60601-1-2 IEC/EN61000-3-2 IEC/EN61000-3-3, Apenas os Modelos IRC5PO2AW & IRC5PO2VAW: ISO8359 MDD 93/42/EEC, Anexo I e IX
Modelos marcados pela CE	IRC5PO2AW & IRC5PO2VAW
Elétrico:	Sem fios elétricos de extensão
Colocação:	A mais de 7,5 cm (3 polegadas) de qualquer parede, móvel, cortinados, ou mobília, a fim de assegurar uma passagem de ar suficiente Evite carpetes espessas e aquecedores, radiadores ou ventiladores de ar quente Colocar apenas no chão Não colocar em espaços restritos (Exemplo: Não meter em armários)
Tubo:	Cânula de 2 m (7 pés) com um tubo à prova de esmagamento, com o máximo de 15 m (50 pés) de comprimento (NÃO comprimir)
Tempo de funcionamento:	Até 24 h por dia


SECÇÃO 5—PARÂMETROS TÍPICOS DO PRODUTO

Temperatura recomendada para armazenamento e transporte:	-29 a 65 °C com uma humidade relativa de 15–95%
Ambiente:	Sem fumo e fuligem Não colocar em espaços restritos (Exemplo: Não meter em armários)
Tempo de funcionamento mínimo:	30 min

INDICADORES IRC5PO2AW & IRCPO2VAW

SÍMBOLO DA ETIQUETA	PUREZA DO O ₂	INDICADORES LUMINOSOS (LED)
O ₂	SISTEMA OK O ₂ acima de 85% (± 2%)	Indicador luminoso VERDE
	O ₂ entre 73% (± 3%) e 85% (±2%)	Indicador luminoso AMARELO A. AMARELO fixo B. Falha do sensor AMARELO Intermitente Contactar um técnico qualificado
	FALHA DO SISTEMA O ₂ abaixo de 73% (± 3%)	Indicador luminoso VERMELHO Encerramento do Compressor devido ao Alarme Sonoro Contínuo (crivo) Sieve-GARD

INDICADORES IRC5PAW

SÍMBOLO DA ETIQUETA	ESTADO	INDICADORES LUMINOSOS (LED)
I/O	SISTEMA OK	Indicador luminoso VERDE
	FALHA DO SISTEMA	Indicador luminoso VERMELHO Alarme Sonoro Contínuo Encerramento do compressor Sieve-GARD™ Contactar um técnico qualificado

SECÇÃO 6—INSTRUÇÕES DE FUNCIONAMENTO

Introdução

O seu concentrador de oxigénio é concebido para uso individual. É um aparelho electrónico que separa o oxigénio do ar ambiente. Permite administrar uma concentração de oxigénio elevada directamente através de uma cânula nasal. Estudos clínicos demonstraram que os concentradores de oxigénio são equivalentes, do ponto de vista terapêutico, a outros sistemas de administração de oxigénio.

O seu prestador de cuidados de saúde ensinar-lhe-á como utilizar o concentrador de oxigénio. Se tiver alguma dúvida ou problema com o concentrador de oxigénio, deverá contactar o seu prestador de cuidados de saúde. Este manual do proprietário explica-lhe sobre o seu concentrador e servir-lhe-á de referência durante a utilização do seu concentrador.

Escolher um local

ADVERTÊNCIA

NUNCA bloquear as entradas de ar do produto nem colocar o aparelho numa superfície mole como, por exemplo, uma cama ou sofá, onde as entradas de ar poderiam ser bloqueadas. Manter as entradas sem fios, cabelos e outros objectos semelhantes.

Manter a unidade a uma distância mínima de 7,5 cm de paredes, cortinados, mobiliário, e outras superfícies semelhantes.

O concentrador de oxigénio pode ser colocado na divisão da casa que for mais conveniente. Os rodízios do concentrador permitem deslocá-lo facilmente de uma divisão para a outra.

O desempenho do seu concentrador será otimizado quando o aparelho funcionar sob as condições indicadas no Parâmetros típicos do produto na página 207. A utilização noutros ambientes além dos descritos pode aumentar a necessidade de manutenção do equipamento. A admissão de ar da unidade deve situar-se numa área bem ventilada para evitar poluentes existentes no ar e/ou fumos. NÃO use dentro de um armário.

Instalação

1. Ligue o fio eléctrico a uma tomada eléctrica.
2. Ligar o humidificador (caso tenha sido receitado)

⚠ ADVERTÊNCIA

NÃO encher o humidificador além desse nível.

NÃO inverter as ligações da entrada e da saída de oxigénio. A água do frasco humidificador passará através da cânula para o doente.

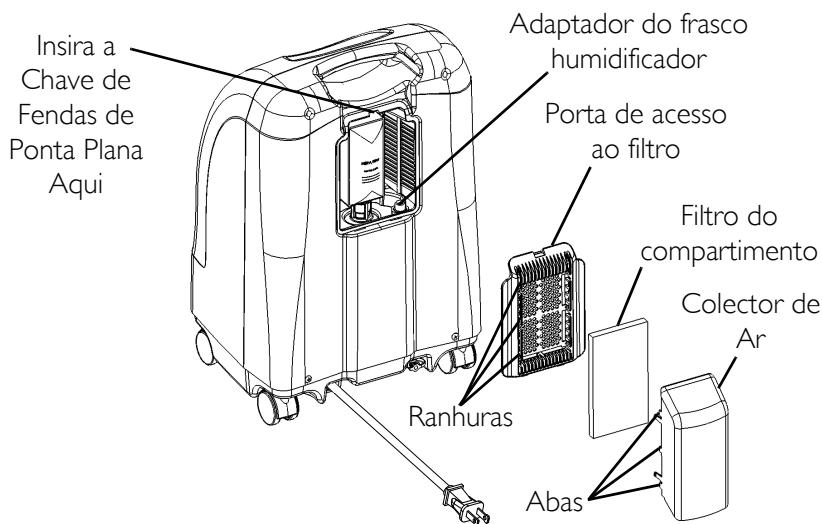
NOTA: Relativamente a este procedimento, consultar a FIGUR 6.1, FIGUR 6.2 na página 213, FIGUR 6.3 na página 214.

1. Remover a tampa do frasco.
2. Encha o humidificador com água destilada até ao nível indicado pelo fabricante. Voltar a colocar a tampa do humidificador e apertar bem.



FIGUR 6.1 Enchimento do humidificador

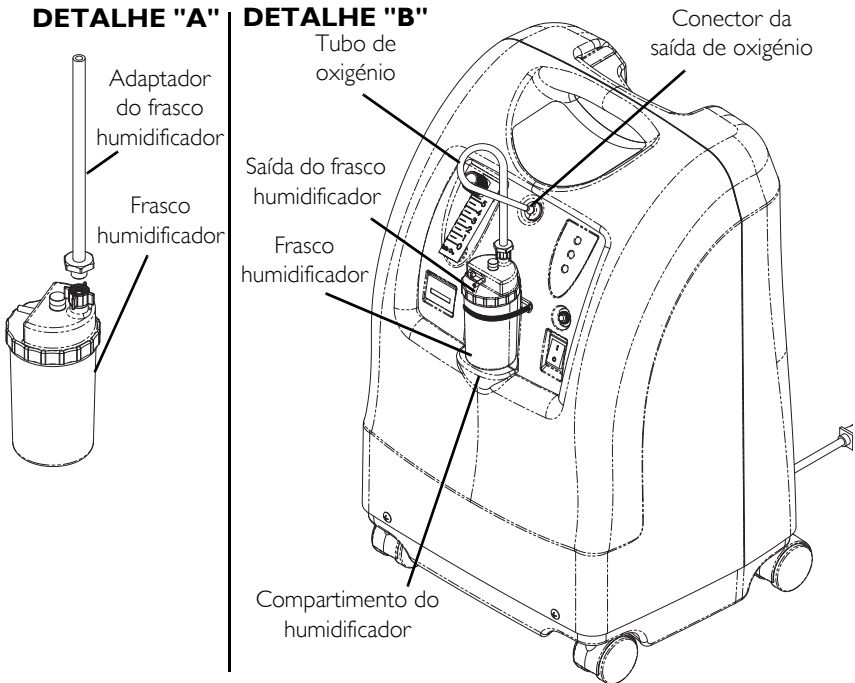
3. Introduza uma chave de fendas de ponta plana na ranhura da placa na extremidade superior da porta de acesso ao filtro, e remova a porta com cuidado (FIGUR 6.2).
4. Puxe e retire o adaptador do frasco humidificador (FIGUR 6.2).
5. Volte a colocar a porta de acesso ao filtro e instale o colector de ar na porta de acesso ao filtro inserindo as seis abas do colector de ar nas seis ranhuras nos lados da porta de acesso ao filtro.



FIGUR 6.2 Adaptador do Frasco Humidificador

6. Agarre o adaptador do frasco humidificador ao frasco humidificador, rodando a porca de asas para a esquerda, no frasco humidificador, até que fique seguramente agarrado. Veja o Detalhe "A" em FIGUR 6.3.
7. Coloque a montagem frasco humidificador/adaptador no compartimento do humidificador do concentrador. Veja o Detalhe "B" em FIGUR 6.3.
8. Ligue a tubagem de oxigénio desde a montagem frasco humidificador/adaptador até ao conector de saída de oxigénio no concentrador. Veja o Detalhe "B" em FIGUR 6.3.

- Adapte a cânula/tubo de administração ao doente à saída do frasco humidificador. Veja o Detalhe "B" em FIGUR 6.3.
- Após a montagem, confirme que o oxigénio passa através da cânula.



FIGUR 6.3 Compartimento do humidificador

Interruptor de alimentação

NOTA: Relativamente a este procedimento, consultar FIGURA 6.4.

- Ligue o interruptor de alimentação. Todas as luzes do painel e o alarme sonoro ligar-se-ão durante um segundo, o que indica que a unidade está a funcionar correctamente.



FIGURA 6.4 Interruptor de alimentação

Débito

NOTA: Relativamente a este procedimento, consultar FIGUR 6.5.

NOTA: Ter cuidado para não regular o débito para um valor acima do anel VERMELHO. Um fluxo/débito de oxigénio superior a 5 L/min diminuirá a concentração de oxigénio.

1. Rode o botão do débito para o valor recomendado pelo seu médico ou terapeuta.

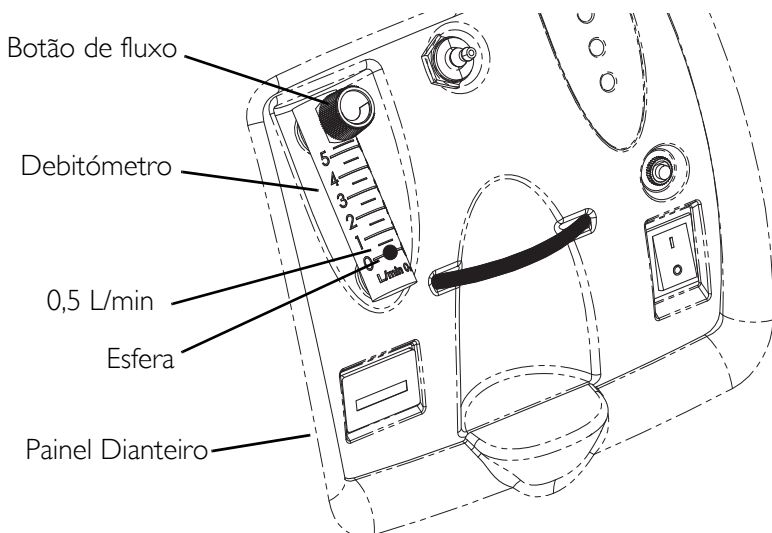
⚠ ADVERTÊNCIA

NÃO alterar a definição dos l/min no debitómetro, a não ser que o seu médico ou terapeuta tenham feito alguma alteração.

NOTA: Para ler correctamente o debitómetro, localizar a linha do débito recomendado. Em seguida, rodar o botão do débito até a bola se elevar até à linha. Agora, centrar a bola na linha dos L/min prescrita.

2. Se o débito no debitómetro alguma vez descer abaixo de 0,5 L/min durante mais de um minuto, será desencadeado o alarme de FLUXO/DÉBITO BAIXO. Este é um alarme sonoro rápido. Inspeccione o tubo e os acessórios, verificando se o tubo está bloqueado ou dobrado ou se o frasco humidificador apresenta algum defeito. Depois do fluxo pretendido ser restabelecido, acima de 0,5L/min, o alarme sonoro FLUXO/DÉBITO BAIXO será desactivado.

NOTA: A utilização de alguns acessórios, tais como o suporte de fluxo pediátrico e o compressor HomeFill, desactiva o Alarme de débito baixo.



FIGUR 6.5 Débito

Indicador da Pureza do Oxigénio SensO₂ Modelo IRC5PO2AW & IRCPO2VAW

Esta função monitoriza a pureza do oxigénio produzido pelo concentrador de oxigénio. Se a pureza baixar para um valor abaixo dos padrões predefinidos na fábrica, os indicadores luminosos no painel de controlo acendem-se.

Ligação inicial do concentrador

NOTA: O concentrador pode ser usado durante o período de aquecimento inicial (aproximadamente 30 min), enquanto se espera que a pureza do O₂ atinja o máximo.

Quando a unidade estiver ligada, o indicador luminoso VERDE acende-se (SISTEMA OK/O₂ superior a 85%). Após cinco minutos, o sensor de oxigénio funcionará normalmente e controlará os indicadores luminosos com base nos valores das concentrações de oxigénio.

Explicação das Luzes Indicadoras da Pureza do Oxigénio - Modelo IRC5PO2AW & IRCPO2VAW

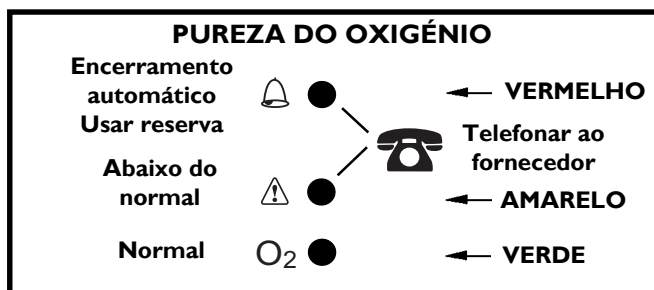
NOTA: Relativamente a este procedimento, consultar FIGUR 6.6 na página 217.

Luz VERDE (O₂) — funcionamento normal.

Luz AMARELA (⚠) — Chamar imediatamente o fornecedor. O concentrador de oxigénio pode continuar a ser utilizado, a não ser que o contrário seja indicado pelo fornecedor. Não se esqueça de ter oxigénio de reserva próximo.

Luz VERMELHA (🔔) — Encerramento total da unidade. Mude imediatamente para o oxigénio de reserva e chame o fornecedor.

Luz VERDE — com a luz AMARELA intermitente. Chamar imediatamente o fornecedor. O sensor de oxigénio está a funcionar mal; o concentrador pode continuar a ser utilizado.



FIGUR 6.6 Explicação das Luzes Indicadoras da Pureza do Oxigénio - Modelo IRC5PO2AW & IRCPO2VAW

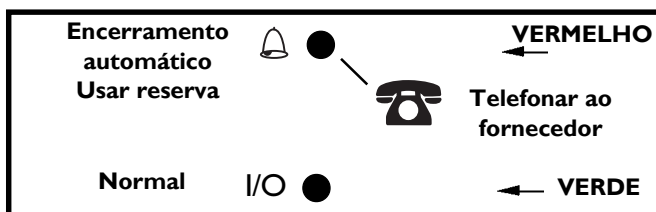
Explicação das Luzes Indicadoras - Modelo IRC5PAW

NOTA: Relativamente a este procedimento, consultar FIGUR 6.7.

Explicação das Luzes Indicadoras do Modelo IRC5PAW

Luz VERMELHA (⚠) — encerramento total da unidade. Mude imediatamente para o oxigénio de reserva e chame o fornecedor.

Luz VERDE (I/O) — ligar/desligar. Sistema ok.



FIGUR 6.7 Explicação das Luzes Indicadoras - Modelo IRC5PAW

Indicador de tempo decorrido (Contador horário)

O contador horário apresenta o número cumulativo de horas de funcionamento da unidade.

SECÇÃO 7—MANUTENÇÃO

⚠ ADVERTÊNCIA

Os concentradores da Invacare foram especificamente concebidos para minimizar as tarefas de rotina da manutenção preventiva. Apenas o pessoal qualificado deve realizar a manutenção preventiva do concentrador.

Desligar o concentrador durante a limpeza. Para evitar choques eléctricos, NÃO retirar o compartimento.

NOTA: Pelo menos, a manutenção preventiva TEM de ser efectuada de acordo com as directrizes do registo da manutenção. Em locais com muita poeira ou fuligem, pode ser necessário realizar a manutenção mais frequentemente. Consultar Registo da Manutenção Preventiva na página 221.

Manutenção de rotina

As seguintes tarefas de rotina da manutenção devem ser realizadas com maior frequência. Ver os intervalos recomendados em cada secção e Registo da Manutenção Preventiva na página 221.

Limpeza do filtro do compartimento

PRECAUÇÃO

NÃO usar o concentrador sem o filtro estar colocado.

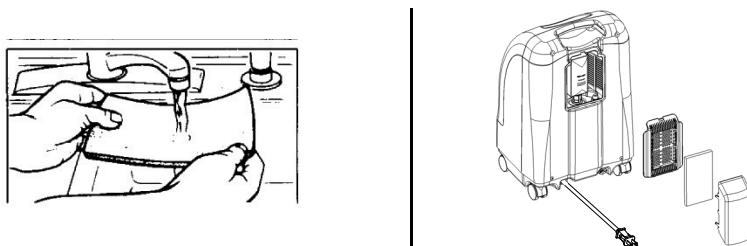
NOTA: Relativamente a este procedimento, consultar FIGUR 7.1 na página 220.

NOTA: Existe um filtro de compartimento colocado na traseira do compartimento.

1. Inspeccione o filtro todos os meses. Remova o filtro e limpe-o consoante a necessidade.

NOTA: As condições ambientais que exigem a inspeção e limpeza mais frequentes do filtro incluem: muito pó, poluentes do ar, etc.

2. Limpar o filtro do compartimento com um aspirador ou lavar em água morna com detergente e enxaguar bem.
3. Seque completamente o filtro antes de o voltar a instalar.



FIGUR 7.1 Limpeza do filtro do compartimento

Limpar o compartimento

1. Limpe o compartimento com um produto de limpeza suave para uso doméstico e um pano ou esponja não abrasivos.

Limpar o Humidificador

NOTA: Para limpar o humidificador do oxigénio, siga as instruções fornecidas pelo fabricante. Caso o fabricante não tenha fornecido instruções, siga estes PASSOS:

1. Limpe o humidificador diariamente.
2. Lave-o com água com detergente e enxagúe-o numa solução com uma parte de vinagre para dez partes de água.
3. Enxagúe bem com água quente e volte a encher o humidificador com água destilada até ao nível indicado.

SECÇÃO 8—GUIA DE RESOLUÇÃO DE PROBLEMAS

SINTOMA:	CAUSA PROVÁVEL:	SOLUÇÃO:
<p>Alarme:</p> <p>Sinais sonoros curtos, pausa longa</p> <p>O concentrador não funciona, o interruptor de alimentação está Ligado.</p> <p>Bip.....Bip.....</p>	<p>Perda de energia principal:</p> <ol style="list-style-type: none"> 1. O fio eléctrico não está ligado. 2. A tomada eléctrica não tem corrente. 3. O disjuntor do circuito disparou. 	<ol style="list-style-type: none"> 1. Insira a ficha na tomada. 2. Inspeccione os disjuntores ou fusíveis da casa. Se o problema voltar a ocorrer, utilize outra tomada eléctrica. 3. Empurrar/reajustar o disjuntor do circuito. Se o problema voltar a ocorrer, contactar o Provedor do Serviço.
<p>Alarme:</p> <p>Contínuo</p> <p>O concentrador não funciona, o interruptor de alimentação está Ligado.</p> <p>Bi.....ip.....</p>	<p>Avaria do sistema:</p> <ol style="list-style-type: none"> 1. Sobreaquecimento da unidade devido a um bloqueio na admissão de ar. 2. Alimentação insuficiente na tomada. 3. São necessárias reparações internas. 	<ol style="list-style-type: none"> 1a. Retire e limpe os filtros do compartimento. 1b. Afaste o concentrador de oxigénio para uma distância mínima de 7,5 cm das paredes, cortinados ou mobília. <ol style="list-style-type: none"> 2. NÃO utilize fios eléctricos de extensão. Mude para outra tomada eléctrica ou outro circuito eléctrico. 3. Contacte o prestador de serviços.

SINTOMA:	CAUSA PROVÁVEL:	SOLUÇÃO:
<p>A luz AMARELA ou VERMELHA estão acesas.</p> <p>Alarme: Contínuo Apenas na luz VERMELHA.</p> <p>* Aplicável apenas aos modelos IRC5PO2AW & IRCPO2VAW</p>	<p>1. Oxigénio de baixa pureza.*</p> <p>2. Tubo, cânula ou humidificador dobrados ou bloqueados.*</p> <p>3. Debitómetro regulado para 0,5 L/min*.</p> <p>4. Sobreaquecimento da unidade devido a um bloqueio na admissão de ar.</p> <p>5. Alimentação insuficiente na tomada.</p> <p>6. São necessárias reparações internas.</p>	<p>1. Limpe ou substitua os filtros.</p> <p>2. Verifique se existem dobras ou bloqueios. Corrija, limpe ou substitua o artigo. Após a correcção, desligue o Aparelho durante 60 s e depois volte a Ligá-lo.</p> <p>3. Verifique se o debitómetro está regulado para 1,0 L/min ou mais. Consultar <u>Parâmetros típicos do produto</u> na página 207.</p> <p>4a. Retire e limpe os filtros do compartimento.</p> <p>4b. Afaste o concentrador para uma distância mínima de 7,5 cm das paredes, cortinados ou mobília.</p> <p>5. NÃO utilize fios eléctricos de extensão. Mude para outra tomada eléctrica ou outro circuito eléctrico.</p> <p>6. Contacte o prestador de serviços.</p>
<p>Luz VERDE com luz AMARELA intermitente.</p>	<p>1. São necessárias reparações internas.</p>	<p>1. Contacte o prestador de serviços.</p>
<p>Alarme:</p> <p>Rápido</p> <p>Bip...Bip... Bip...Bip</p>	<p>Alarme de débito baixo</p> <p>1. Tubo, cânula ou humidificador dobrados ou bloqueados.</p> <p>2. Debitómetro regulado para 0,5 L/min</p>	<p>1. Verifique se existem dobras ou bloqueios. Corrija, limpe ou substitua o artigo. Após a correcção, desligue o aparelho durante 60 s e depois volte a LIGÁ-LO.</p> <p>2. Não são recomendados débitos/ taxas de fluxo inferiores a 1 L/min.</p>

SECÇÃO 9—ACESSÓRIOS OPCIONAIS

Também estão disponíveis os seguintes acessórios opcionais:

- Cânula Nasal (Padrão) Standard para Adulto, 2,1 m (7 pés)- M3120
- Humidificador (Padrão) Standard - M5120
- Acessório PreciseRX™ Pediátrico para Humidificador/Debitómetro - IRCPF16AW
- Compressor de oxigénio domiciliário HomeFill - IOH200AW

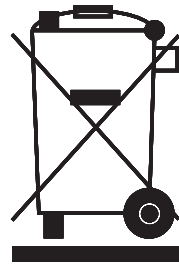
INFORMAÇÕES SOBRE RECICLAGEM

Este produto foi fornecido por um fabricante com consciência ambiental que está em conformidade com a Directiva 2002/96/CE relativa aos resíduos de equipamento eléctrico e electrónico (REEE).

Este produto pode conter substâncias passíveis de serem prejudiciais para o ambiente se eliminadas em locais (lixeiros) que, de acordo com a legislação, não sejam apropriados.

Este produto contém o símbolo de um 'contentor do lixo com uma cruz' para encorajar as pessoas a reciclar o produto sempre que possível.

Seja amigo do ambiente e recicle este produto no fim da respectiva vida útil através das instalações de reciclagem existentes.



GARANTIA LIMITADA

Belgium & Luxemburg:

Invacare nv, Autobaan 22, B-8210 Loppem
Tel: (32) (0) 50 83 10 10
Fax: (32) (0) 50 83 10 11
belgium@invacare.com

Danmark:

Invacare A/S, Sdr. Ringvej 37, DK-2605
Brøndby
Tel: (45) (0)36 90 00 00
Fax: (45) (0)36 90 00 01
denmark@invacare.com

Deutschland:

Invacare Aquatec GmbH,
Alemanenstrasse 10, D-88316 Isny
Tel: (49) (0)75 62 7 00 0
Fax: (49) (0)75 62 7 00 66
info@invacare-aquatec.com

European Distributor Organisation:

Invacare, Kleiststraße 49, D-32457 Porta
Westfalica
Tel: (49) (0)57 31 754 540
Fax: (49) (0)57 31 754 541
edo@invacare.com

España:

Invacare SA, c/Areny s/n, Polígon
Industrial de Celrà, E-17460 Celrà (Girona)
Tel: (34) (0)972 49 32 00
Fax: (34) (0)972 49 32 20
contactsp@invacare.com

France:

Invacare Poirier SAS, Route de St Roch,
F-37230 Fondettes
Tel: (33) (0)2 47 62 64 66
Fax: (33) (0)2 47 42 12 24
contactfr@invacare.com

Switzerland:

Invacare AG,
Benkenstrasse 260, CH-4108 Witterswil
Tel: (41) (0)61 487 70 80
Fax: (41) (0)61 487 70 81
switzerland@invacare.com

Ireland:

Invacare Ireland Ltd, Unit 5 Seatown
Business Campus,
Seatown Road, Swords, County Dublin –
Ireland
Tel: (353) 1 810 7084
Fax: (353) 1 810 7085
ireland@invacare.com

Italia:

Invacare Mecc San s.r.l., Via dei Pini 62,
I-36016 Thiene (VI)
Tel: (39) 0445 38 00 59
Fax: (39) 0445 38 00 34
italia@invacare.com

Nederland:

Invacare BV, Celsiusstraat 46, NL-6716 BZ
Ede
Tel: (31) (0)318 695 757
Fax: (31) (0)318 695 758
nederland@invacare.com
csede@invacare.com

Norge:

Invacare AS, Grensesvingen 9, Postboks
6230, Etterstad, N-0603 Oslo
Tel: (47) (0)22 57 95 00
Fax: (47) (0)22 57 95 01
norway@invacare.com
island@invacare.com

Österreich:

Invacare Austria GmbH, Herzog
Odiolostrasse 101, A-5310 Mondsee
Tel: (43) 6232 5535 0
Fax: (43) 6232 5535 4
info@invacare-austria.com

Sverige & Suomi:

Invacare AB, Fagerstagatan 9,
S-163 91 Spånga
Tel: (46) (0)8 761 70 90
Fax: (46) (0)8 761 81 08
sweden@invacare.com
finland@invacare.com

United Kingdom:

Invacare Limited, Pencoed Technology
Park, Pencoed, Bridgend CF35 5HZ
Tel: (44) (0) 1656 776200
Fax: (44) (0) 1656 776201
Customer Services:
Tel: (44) (0) 1656 776222
Fax: (44) (0) 1656 776220
UK@invacare.com

Portugal:

Invacare Lda,
Rua Estrada Velha, 949, P-4465-784 Leça do
Balio
Tel: (351) (0)225 1059 46/47
Fax: (351) (0)225 1057 39
portugal@invacare.com

NOTA



Yes, you can.

Invacare Corporation

www.invacare.com

USA

One Invacare Way
Elyria, Ohio USA
44036-2125
440-329-6000
800-333-6900
Technical Services
440-329-6593
800-832-4707

Manufacturer:
Invacare Rehabilitation
Equipment (Suzhou) Co., Ltd.
No. 435 Xieyu Street, SIP,
Suzhou, Jiangsu, PRC
215026
Tel: 86-512-62586180
Fax: 86-512-62586167



EC	REP
----	-----

EU Representative
Invacare International Sarl
Route de Cité Ouest 2
1196 Gland
Switzerland
Tel: +41 22 354 60 10
Fax: +41 22 354 60 11

© 2010 Invacare Corporation. All rights reserved. Republication, duplication or modification in whole or in part is prohibited without prior written permission from Invacare. Trademarks are identified by [™] and [®]. All trademarks are owned by or licensed to Invacare Corporation or its subsidiaries unless otherwise noted.



0434

Part No 1163146

Rev C - 12/10

